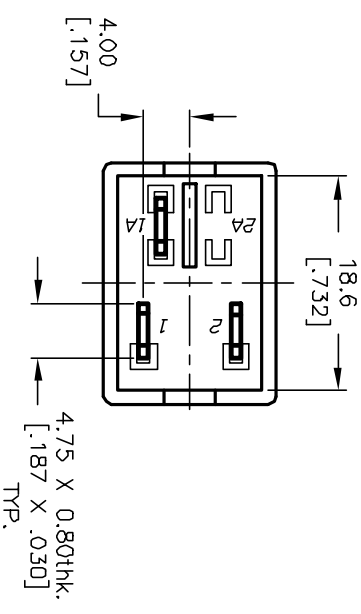
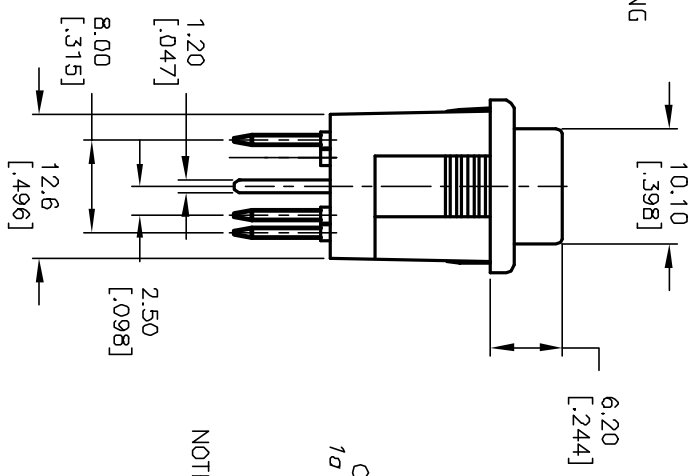
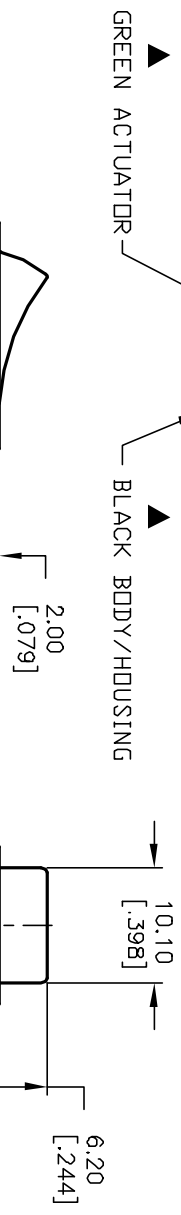
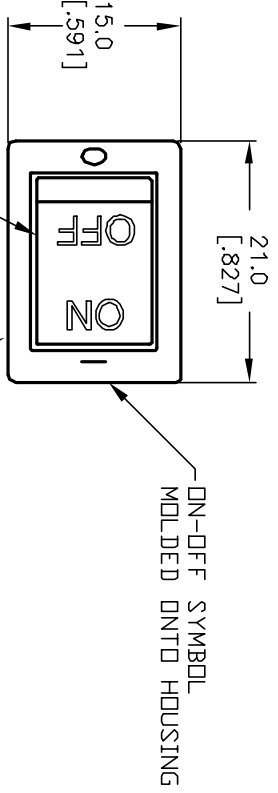
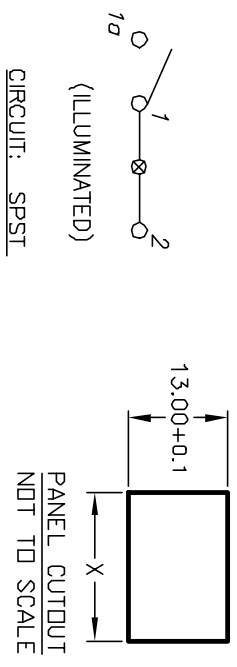


INCANDESCENT BULB

PARAMETERS	SYMBOL	MAX.	UNITS
LAMP VOLTAGE (AC/DC)	V	12	V
POWER DISSIPATION	P_d	2	Watts
CURRENT	I	100	mA



PANEL THICKNESS	X dimension
0.75-1.25 [0.30-0.49]	19.2-01 [0.7561]
1.25-2.0 [0.49-0.79]	19.4-01 [0.764]
2.0-3.0 [0.79-1.18]	19.8-01 [0.7801]



- NOTES:
1. ALL DIMENSIONS IN MM [INCH]
 2. GENERAL TOLERANCE: X.X=±0.4
X.XX=±0.25
 3. RATING:
6A @250VAC;9A @125VAC (UL, CSA, VDE)
4(1)A @250VAC
 4. LAMP VOLTAGE: 12VDC (Incandescent BULB)
 5. MATERIAL:
CONTACT SURFACE: Coin Silver, Silver Plate
TERMINAL: Copper Alloy W/ Silver Plate.
 6. CONTACT RESISTANCE: 20mILLIOHMS TYP. INITIAL
 7. INSULATION RESISTANCE: 1000MegaOHMS
 8. DIELECTRICAL STRENGTHS >1500V RMS min. @SEA LEVEL
>3000V RMS @SEA LEVEL
 9. MECHANICAL LIFE: 50,000 CYCLES.
 10. ELECTRICAL LIFE: 10,000 CYCLES.

E-SWITCH®

REV.	ECN No.	DESCRIPTION	DATE	CHKD
A	11384	RELEASED FOR PRODUCTION	10/01/01	CJB

TITLE	SCALE	DATE	DR	DWG	REV
R19734 BLK GRN IF3	1.5:1	10/01/01	CJB	M400056	A

THE INFORMATION CONTAINED IN THIS DOCUMENT IS PROPRIETARY TO E-SWITCH AND IS NOT TO BE COPIED OR TRANSFERRED