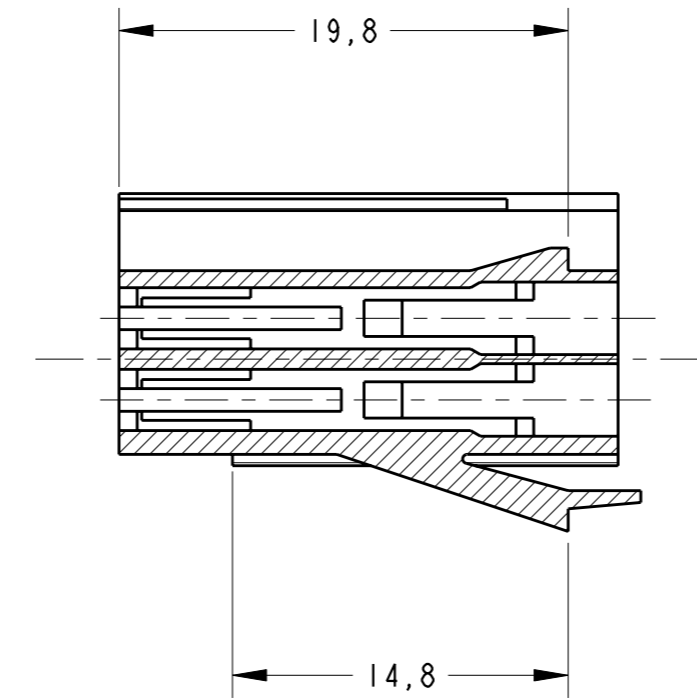
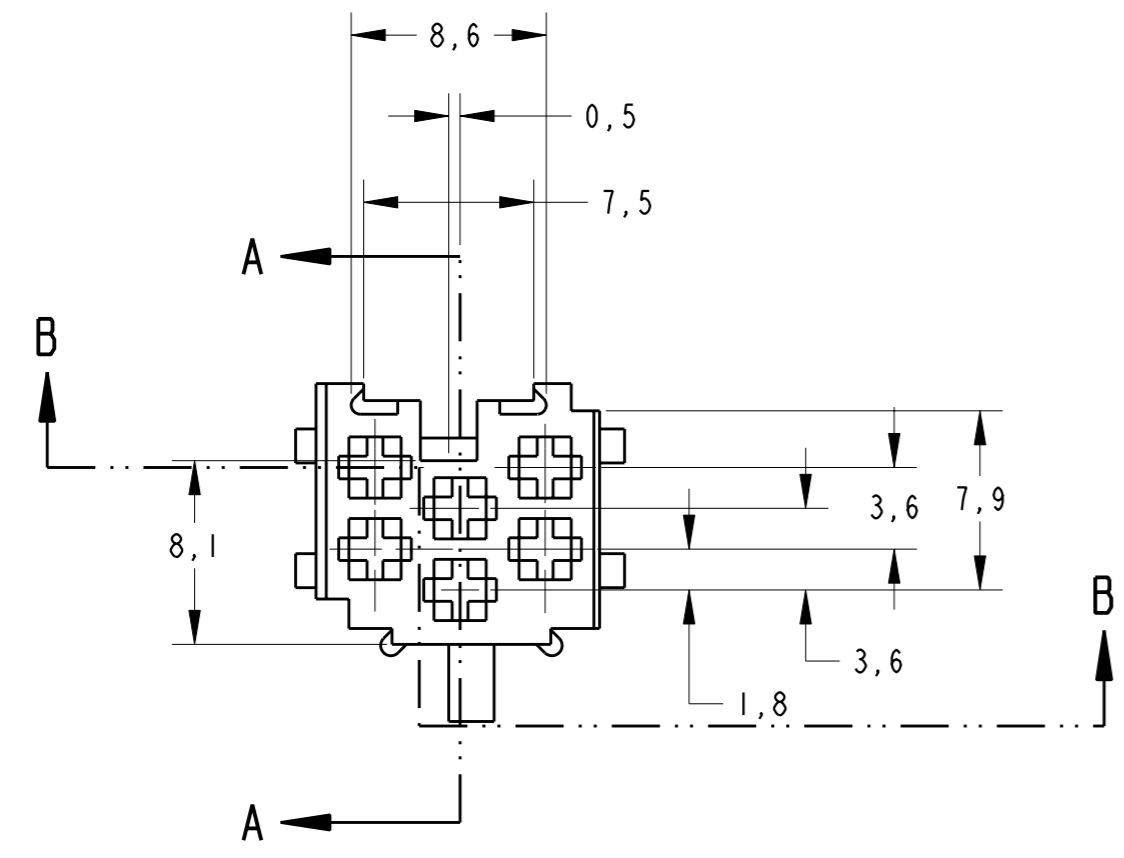
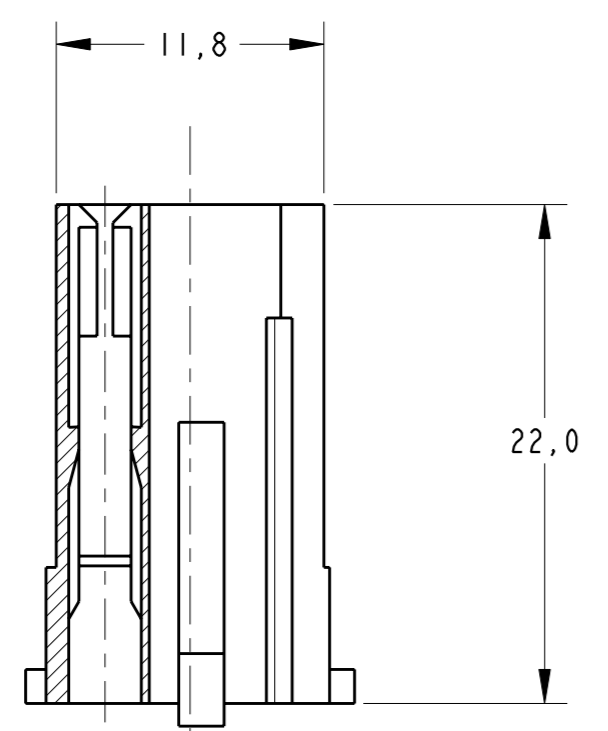
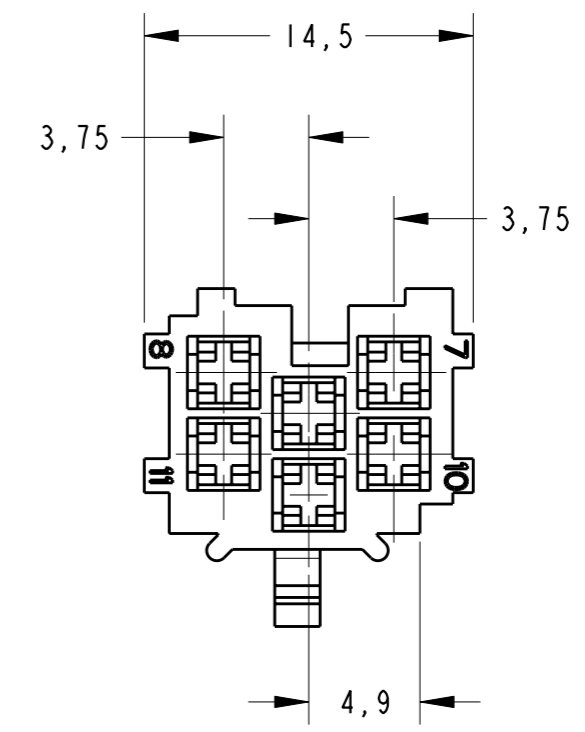


THIS DRAWING IS UNPUBLISHED. RELEASED FOR PUBLICATION  
 © COPYRIGHT 20 ALL RIGHTS RESERVED.

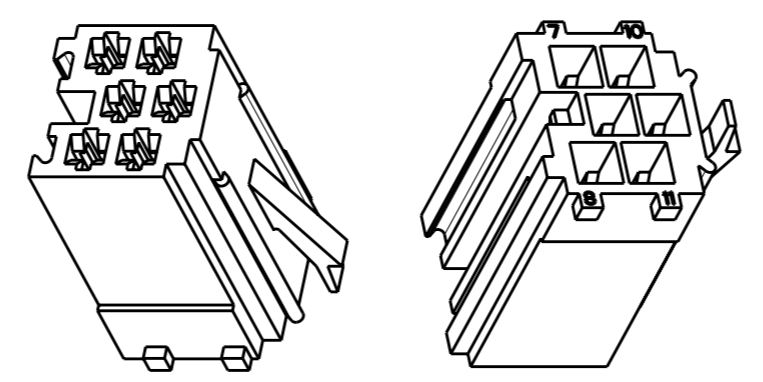
LOC	DIST	REVISIONS					
AP	-	P	LTR	DESCRIPTION	DATE	DWN	APVD
		C		CHANGE STATUS ECO-11-009151	19MAY2011	NCL	MG



SECTION A-A



SECTION B-B



PERSPECTIVE VIEW  
SCALE 2:1

GRAVAÇÃO MARKING
NOMENCLATURA MATERIAL MATERIAL NOMENCLATURE
NÚMERO CAVIDADE CAVITY NUMBER
IDENTIFICAÇÃO CIRCUITO CIRCUIT IDENTIFICATION
REV+ LETRA REV.DA PEÇA REV.+ PART REV.LETTER

RAW MAT'L NO	VERDE / GREEN	PBT	493486-2
FINISH		MATERIAL	PART NUMBER
THIS DRAWING IS A CONTROLLED DOCUMENT.		TE Connectivity	
DIMENSIONS: mm 		HOUSING, 6 POSN., MICRO TIMER	
TOLERANCES UNLESS OTHERWISE SPECIFIED: 0 PLC ± 1 PLC ±0.3 2 PLC ±0.2 3 PLC ± 4 PLC ± ANGLES ±1° FINISH		NAME: - SIZE: A2 CAGE CODE: 00779 DRAWING NO: C-493486 RESTRICTED TO: -	
SEE TABLE		CUSTOMER DRAWING SCALE: 3:1 SHEET 1 OF 1 REV C	