

4

3

2

1

THIS DRAWING IS UNPUBLISHED.
VERTRAULICHE UNVERÖFFENTLICHTE ZEICHNUNG

RELEASED FOR PUBLICATION
FREI FUER VERÖFFENTLICHUNG
1997

MATED WITH:
PASSEND ZU:
HA.3

LOC
AI

DIST
-

REVISIONS
ÄNDERUNGEN

P LTR

A5

DESCRIPTION
BESCHREIBUNG
text for packaging corrected ECR-08-001603

DATE
18.01.08

DWN
SR

APVD
ST

A6

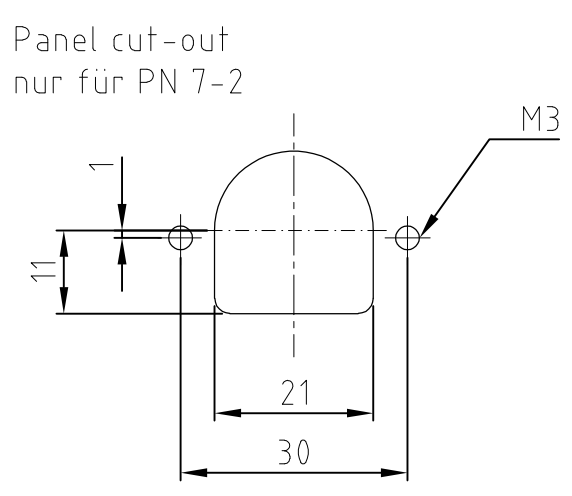
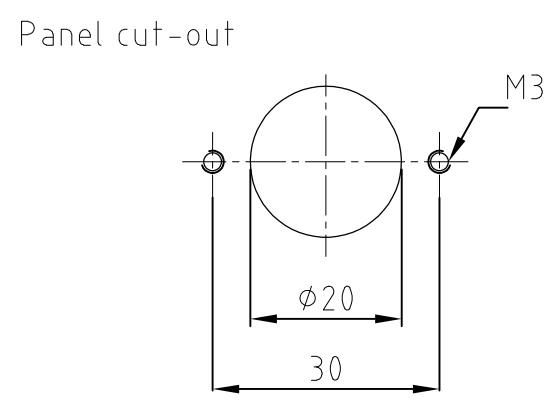
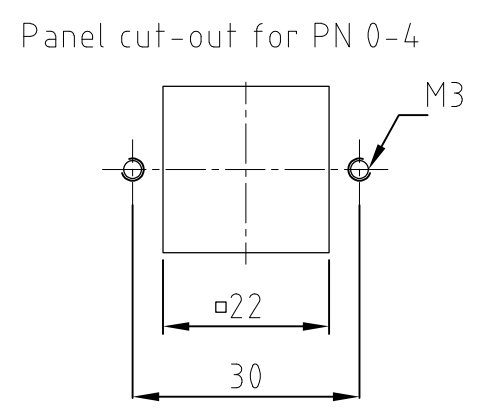
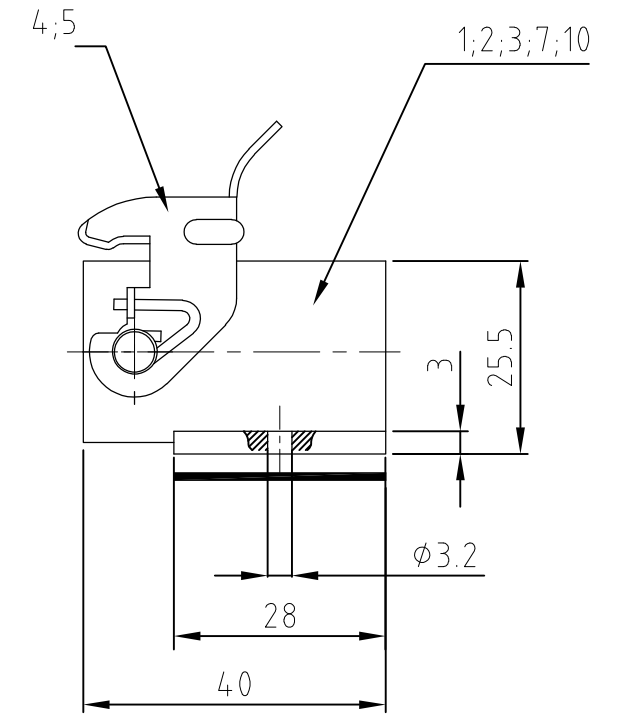
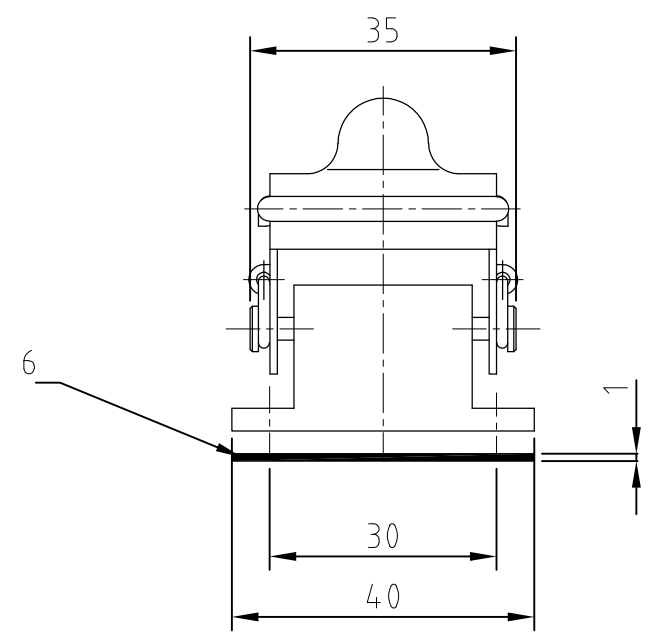
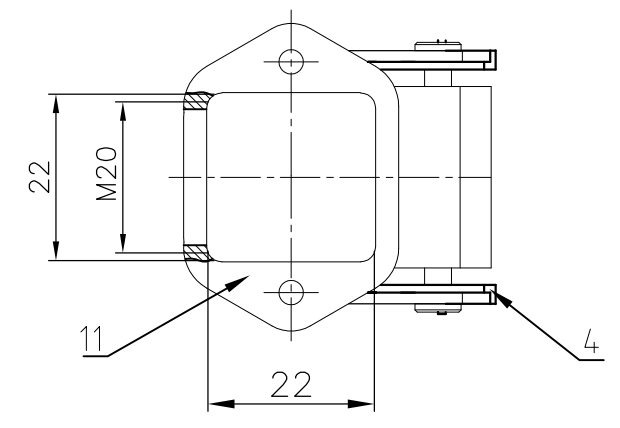
REVISED PER ECR-14-012710

11SEP14

RK

MKO

- NOTES:
- 1 Material: zink diecast
Seals: NEOPRENE
 - 2 SURFACE: HAMMER SCALES VARNISH
OR POWDER COATED
CORROSION PROTECTION
 - 3 PACKAGING:
PACKAGING QUANTITY: 5 PIECES
 - 4 SPECIAL PACKAGING: Krauss-Maffei
PACKAGING UNIT: 100 PIECES IN Krauss-Maffei-Box



ITEM NO. POS.	NOTES	COLOR	SURFACE	MATERIAL	DESCRIPTION
11		grey		zinc diecast	surface mounted housing side and bottom entry
10		without varnish	blue passivation	zinc diecast	surface mounted housing bottom entry
9		blue		steel	Bügelbolzen/clip bolt
8		grey		zinc diecast	surface mounted housing bottom entry
7		alufarbig		zinc diecast	surface mounted housing bottom entry
6		black		Neoprene	Flanschdichtung/flanged seal
5			blank	stainless steel	side clip
4		blue	zink plated	steel	side clip
3		without varnish			surface mounted housing bottom entry
2		black			surface mounted housing bottom entry
1		grey		zinc diecast	surface mounted housing bottom entry

HA.3.AGW-LB.22x22.1M20.B	HA.3.AGW-LB.KM	HA-EMV-K.3.AGW-LB	HA.3.AGW-LB-SO	HA.3.AGW-SO	HA-K.3.AGW-LB-SO	HA.3.AGW-LB-SO	HA-K.3.AGW-LB	HA.3.AGW-LB			
<p>THIS DRAWING IS A CONTROLLED DOCUMENT FOR AMP INCORPORATED. IT IS SUBJECT TO CHANGE AND THE CONTROLLING ENGINEERING ORGANIZATION SHOULD BE CONTACTED FOR THE LATEST REVISION. DIESES ZEICHNUNGSDOKUMENT WIRD DURCH AMP INCORPORATED KONTROLLIERT. ÄNDERUNGEN, DIE DEM TECHNISCHEN FORTSCHRITT DIENEN, SIND VORBEHALTEN. DEN JEWEILS LETZTGÜLTIGEN ÄNDERUNGSSTAND ERFAHREN SIE AUF ANFRAGE.</p>											
<p>DIMENSIONS: DIMENSIONEN: mm</p>			<p>TOLERANCES UNLESS OTHERWISE SPECIFIED: ALLGEMEINTOLERANZEN</p> <p>ISO 8015 D. ISO 2768 - mH - E D. DIN 16901 - 14.0</p>			<p>DWN Schneider 03.11.1999</p> <p>CHK M Schweiger 03.11.1999</p>			<p>APVD -</p> <p>PRODUCT SPEC PRODUKTSPEZ. 108-74000</p> <p>APPLICATION SPEC VERARBEITUNGSSPEZ. 114-74002</p>		
<p>ORDERING TEXT / BESTELLTEXT</p>											
<p>MATERIAL</p>			<p>FINISH / OBERFLÄCHE / FARBE</p>			<p>WEIGHT GEWICHT</p>			<p>NAME SURFACE MOUNTED HOUSING BOTTOM ENTRY ANBAUGEHÄUSE HA.3.AGW-LB</p>		
<p>CUSTOMER DRAWING</p>			<p>/KUNDENZEICHNUNG</p>			<p>SIZE A3</p>			<p>CAGE CODE 00779</p>		
<p>RESTRICTED TO NUR FUER</p>			<p>DRAWING NO ZEICHNUNGS-NR. C-1102107</p>			<p>MASSSTAB 1:1</p>			<p>BLATT 1</p>		
<p>OF VON 1</p>			<p>REV A6</p>			<p>REVISIONS</p>			<p>DATE</p>		