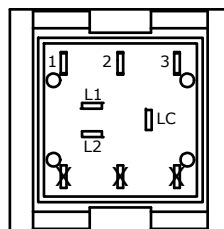
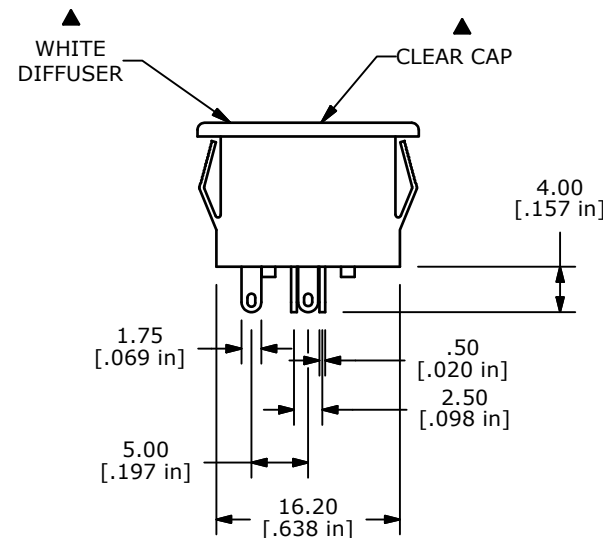
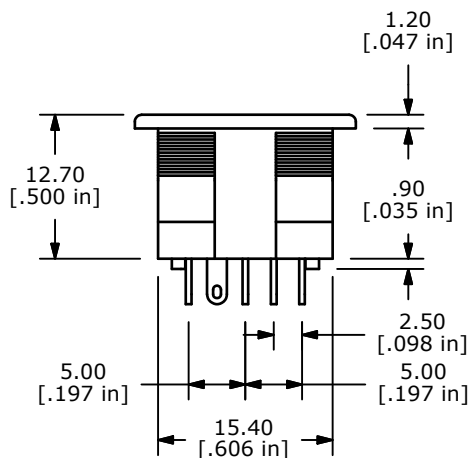


| PANEL MOUNTING | |
|----------------|-------------|
| PANEL THICK | W |
| 0.75 - 1.25 | 17.6 - 17.8 |
| 1.25 - 2.0 | 17.8 - 18.0 |
| 2.0 - 3.0 | 18.0 - 18.2 |

PANEL MOUNTING



1. ALL DIMENSIONS IN MM
2. GENERAL TOLERANCE: X.X=±0.4
X.XX=±0.25
3. TERM. NOS. FOR REFERENCE ONLY.
- ▲ 4. CONTACT RATING: 0.5A @ 100VAC
0.2A @ 250VAC
0.5A @ 25VDC
5. CONTACT MATERIAL: SILVER
6. ELECTRICAL LIFE: 200,000 Typical
7. MECHANICAL LIFE:
1,000,000 CYCLES TYP.
8. CONTACT RESISTANCE:
50 MILLI OHM INITIAL TYP. MAX.
9. DIELECTRIC STRENGTH:
1000 VAC FOR 1 MIN.
10. TRAVEL TO MAKE: 2.20mm ±0.2
11. OPERATING FORCE: 200 +/- 100 gf
12. OPERATING TEMPERATURE: -20° to +70°C
13. 2002/95/EC (ROHS) COMPLIANT
14. ▲ DENOTES CRITICAL PARAMETER
- ▲ 15. LED COLOR: RED: 3 CHIPS; 1.7VDC @20mA TYP.
GRN: 3 CHIPS; 2.1VDC @20mA TYP.

| | | | | |
|-----|--------|----------------------------|----------|-----|
| H | 19821 | CORRECT TERMINAL CALL OUTS | 04/06/11 | BMA |
| G | 19687 | DRAWING UPDATES | 02/18/11 | BMA |
| F | 18666 | REVISE PANEL MOUNT DIMS | 10/01/09 | BLR |
| REV | PCR NO | DESCRIPTION | DATE | BY |

THE INFORMATION CONTAINED IN THIS DOCUMENT IS PROPRIETARY TO E-SWITCH AND IS NOT TO BE COPIED OR TRANSFERRED



TITLE ULP120AM1QPMCL1REDGRN

| | | | | |
|---------|-----------|-----|---------|-----|
| SCALE | DATE | DR | DWG | REV |
| 1.5 : 1 | 10/1/2009 | BLR | B810030 | H |