



## SL-630 SERIES

### SPECIFICATIONS

- **High/low liquid level monitor**
- **“Peel and stick” to the outside of a wide range of plastic containers**
- **Never comes in contact with liquid – no risk of contamination or volume displacement**
- **Proven ultrasonic technology**
- **Repeatability:  $\pm 0.1$ ” (2.54 mm)**

The Non-Invasive Sonic Eye™ SL-630 is a cost effective ultrasonic sensor for plastic containers. The sensor is designed to adhere to the outside of plastic containers with diameters from 2” (50.8mm) to 10” (254mm) with a wall thickness up to 0.25” (6.35mm) as a high/low level liquid level monitor. The sensor sticks to the outside of the container, never coming in contact with the liquid, so there is no contamination or volume displacement.

### FEATURES

- No calibration required
- Non-invasive miniature sensor designed to stick to outside of container
- Integral electronics with disposable mounting
- Effective on plastic bottles with diameters ranging from 2” (50.8 mm) to 10” (254 mm)
- Independent of color, transparency, shape and size of bottom of container
- No displacement of liquid volume
- Eliminates fluid contamination problem

### APPLICATIONS

- Chemical Analyzer
- Immuno Chemistry
- Chromatography
- Kidney Dialysis
- Clinical Chemistry
- Medical Laser System
- Hemodialysis
- Semiconductor
- Waste Management

**PERFORMANCE SPECIFICATIONS**

Parameter	Typical Value
Repeatability	± 0.1" (2.54 mm)
Response Time	200 milliseconds
Input Power	5 to 24 VDC
Leakage Current	Less than 50 µA
Output	TTL (high) – dry condition
Mounting	Reusable sensor/disposable mounting tape

Parameter	Typical Value
Protection	Transient, reverse polarity
Effective Plastic Bottle Diameter	2" (50.8 mm) to 10" (254 mm)
Wall Thickness	Up to 0.25" (6.35 mm)
Sensor Material	ULTEM® (plastic)
Temperature	-20 to 158 °F (30 to 70 °C)
Cable Length	12" (305 mm) (for longer lengths consult factory)

**MECHANICAL DIMENSIONS IN INCHES**

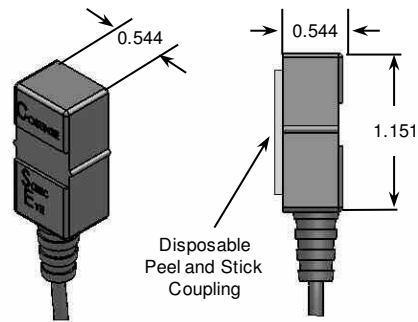


Figure 1: SL-630 series element with peel and stick disposable mounting tape.

NOTES: Clean area on container before installing. Remove backing from tape and adhere to container. Press sensor to container firmly

**WIRING DIAGRAM**

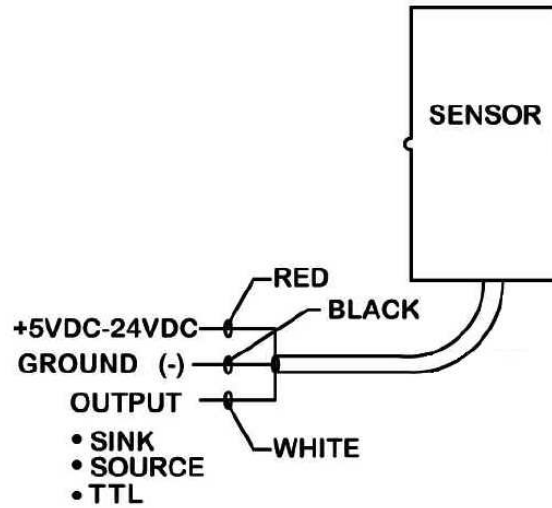


Figure 3: Wiring diagram for SL-630 series elements.

**ORDERING INFORMATION**

Input	Output	Part Number
5 – 24 VDC	TTL	SL-630-C01

**NORTH AMERICA**

Measurement Specialties, Inc.,  
 a TE Connectivity Company  
 1000 Lucas Way  
 Hampton, VA 23666  
 Tel: 1-800-745-8008  
 Fax: 1-757-766-4297  
 Sales: piezo@meas-spec.com

**EUROPE**

MEAS Deutschland GmbH  
 a TE Connectivity Company  
 Hauert 13  
 44227 Dortmund  
 Germany  
 Sales & Customer Service: +49 (0)231 9740 21  
 Technical Support: +44 (0)138 38700 01  
 Email: piezoeurope@meas-spec.com

**ASIA**

Measurement Specialties (China), Ltd.,  
 a TE Connectivity Company  
 No. 26 Langshan Road,  
 High-Tech Park (North)  
 Nanshan District, Shenzhen 518057  
 Tel: +86 755 3330 5068  
 Email: sales.china@meas-spec.com

**TE.com/sensorsolutions**

Measurement Specialties, Inc., a TE Connectivity company.

Measurement Specialties, TE Connectivity, TE Connectivity (logo) and EVERY CONNECTION COUNTS are trademarks. All other logos, products and/or company names referred to herein might be trademarks of their respective owners.

The information given herein, including drawings, illustrations and schematics which are intended for illustration purposes only, is believed to be reliable. However, TE Connectivity makes no warranties as to its accuracy or completeness and disclaims any liability in connection with its use. TE Connectivity's obligations shall only be as set forth in TE Connectivity's Standard Terms and Conditions of Sale for this product and in no case will TE Connectivity be liable for any incidental, indirect or consequential damages arising out of the sale, resale, use or misuse of the product. Users of TE Connectivity products should make their own evaluation to determine the suitability of each such product for the specific application.

© 2015 TE Connectivity Ltd. family of companies All Rights Reserved.