



LOC	DIST	REV	DATE	BY	APPV
A	66				

### FEED TYPE MECHANICAL



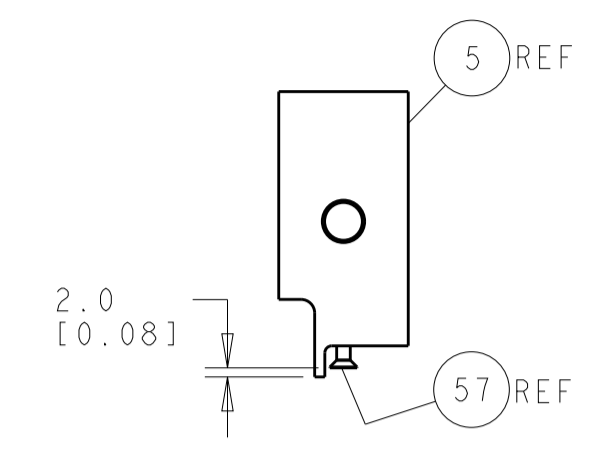
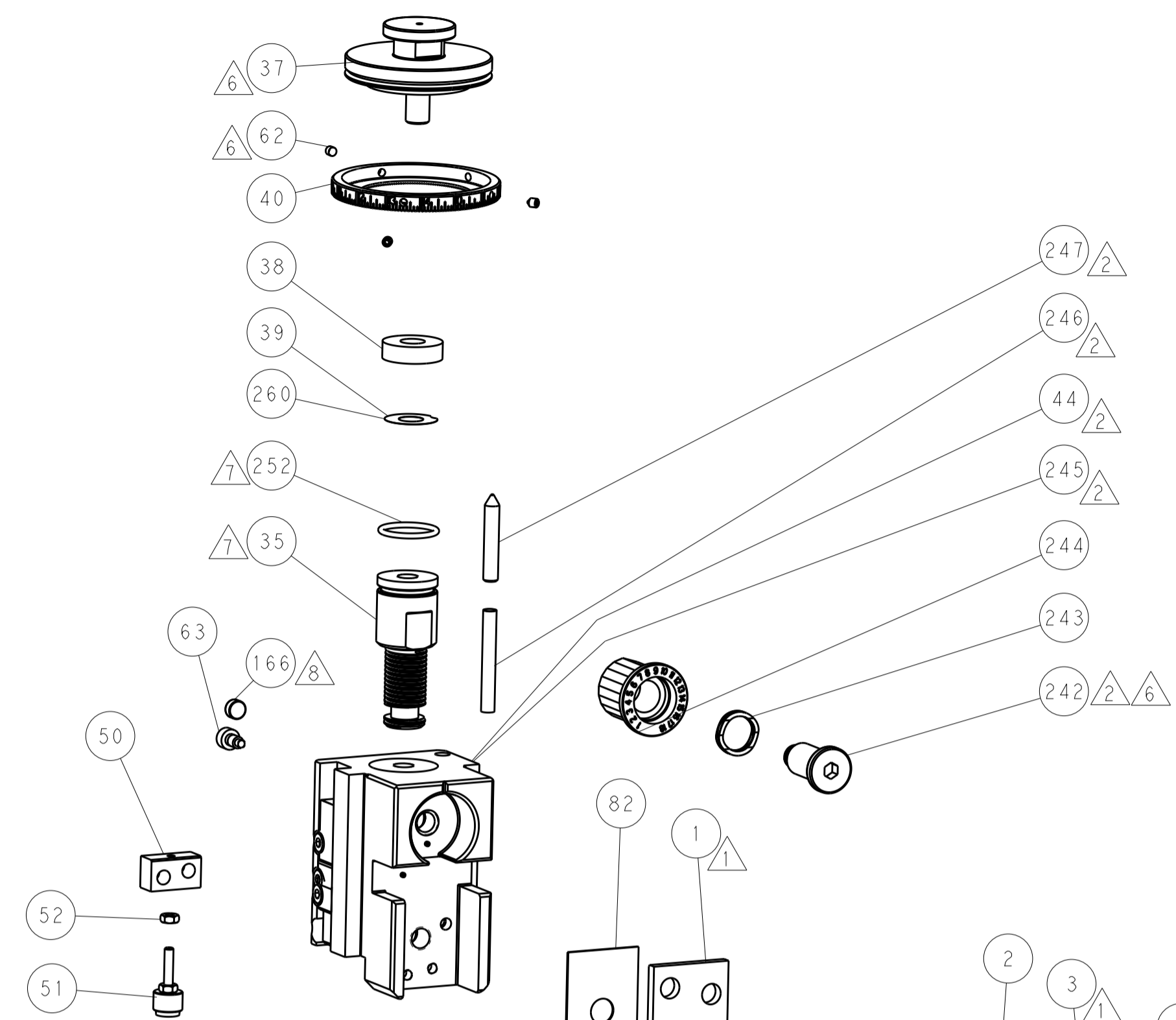
### PNEUMATIC



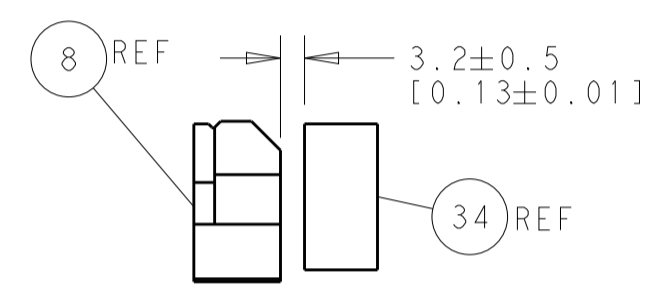
### SERVO LATCH PLATE



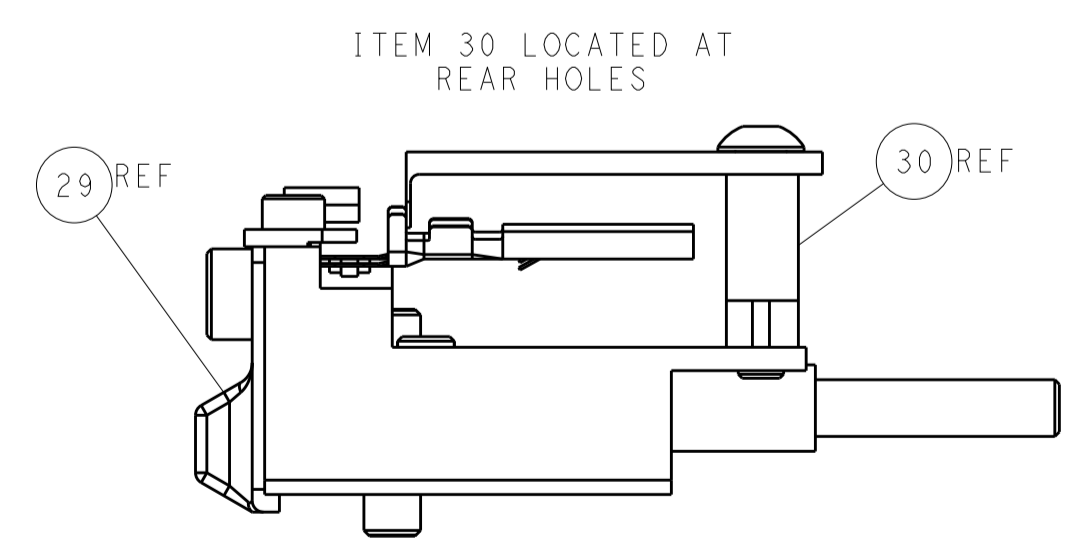
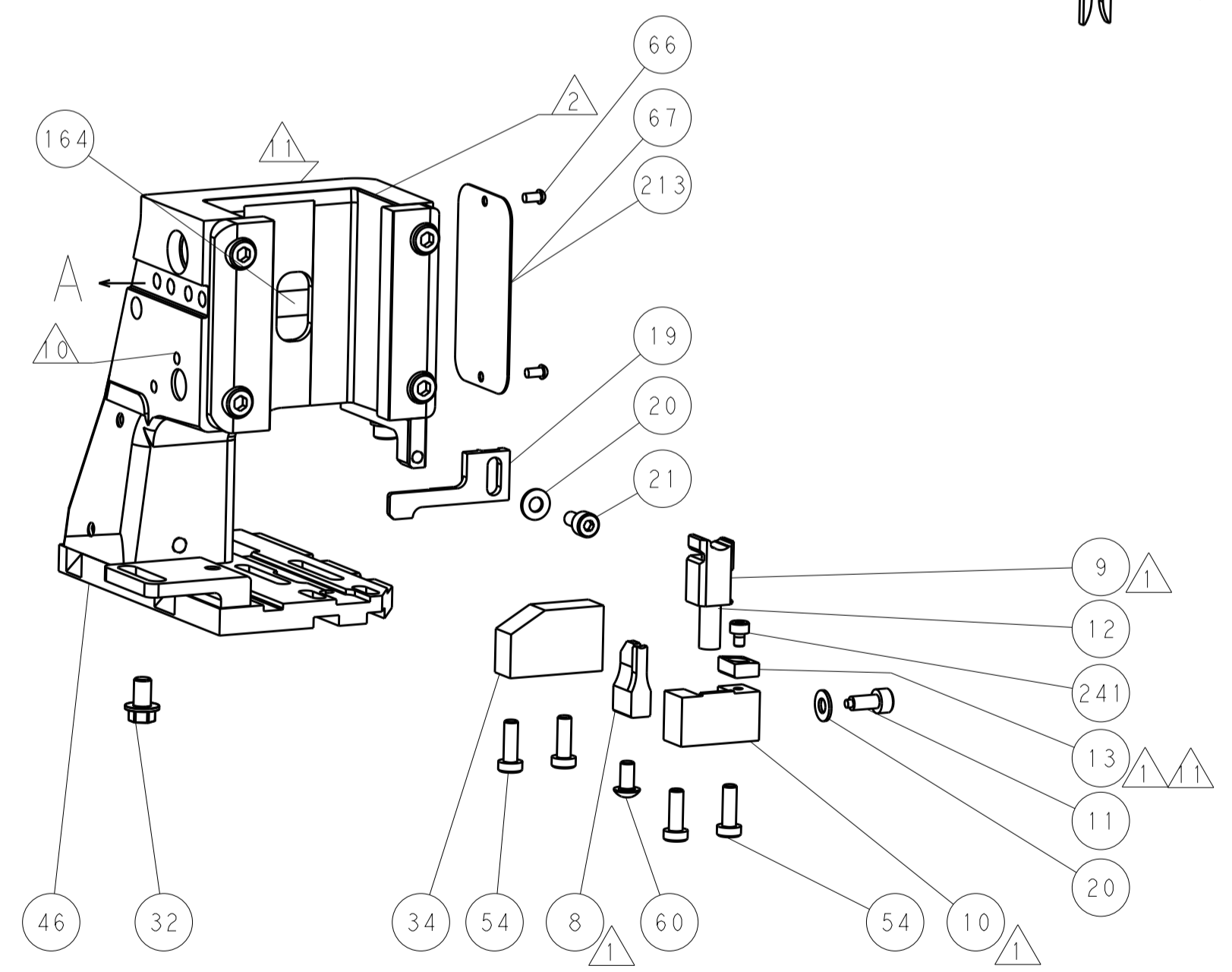
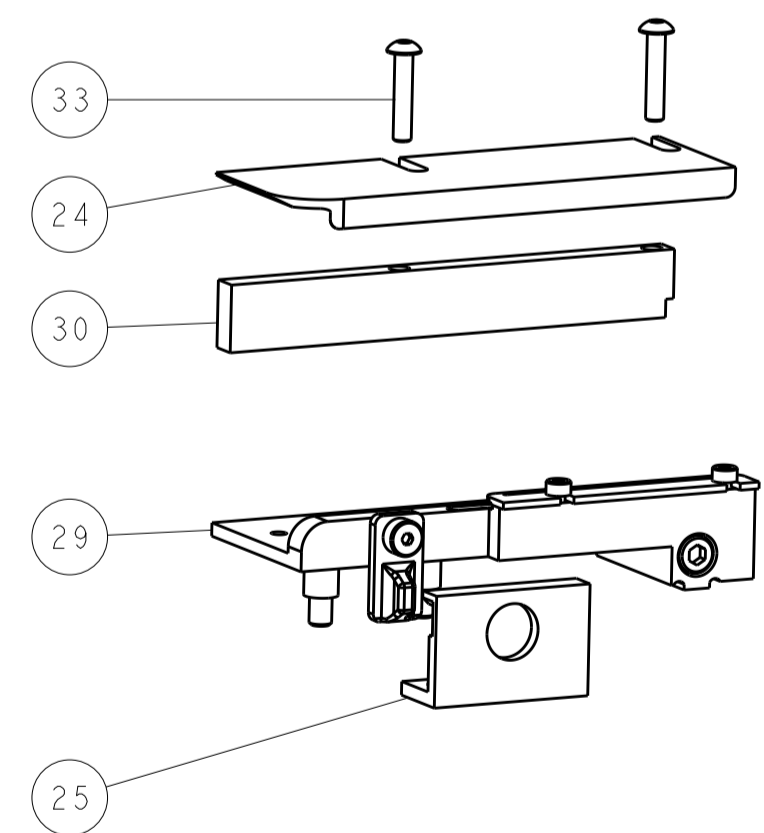
### CAM POSITIONS



SHEAR DEPRESSOR DETAIL



TERMINAL SUPPORT LOCATION



FEED TRACK POSITION GUIDE BY INSULATION BARREL

**ATLANTIC VERSION**  
 Shown on sheets 1 of 4 & 2 of 4  
 (Pacific version shown on sheets 3 of 4 & 4 of 4)

DIMENSIONS:		TOLERANCES UNLESS OTHERWISE SPECIFIED:		DWG: H. HUANG 23APR2015		TE Connectivity	
mm		0 PLC ±0.5		CHK: L. ZHANG 23APR2015		Harrisburg, PA 17105-3608	
Ø		1 PLC ±0.13		APPV: H. GUO 23APR2015		NAME: Ocean Side Feed Applicator	
H		3 PLC ±0.013		PRODUCT SPEC		SIZE: CAGE CODE: DRAWING NO:	
D		4 PLC ±0.001		APPLICATION SPEC		RESTRICTED TO:	
R		ANGLES ±0.001		WEIGHT		A1 00779 ©=2266768	
FINISH		MATERIAL		Customer Accessible Production Drawing		SCALE: 1:2 SHEET 2 OF 4 REV: A1	



LOC		DIST		REVISIONS			
A	66	P	LTM	DESCRIPTION	DATE	DWN	APVD
		-	-	SEE SHEET 1	-	-	-

# FEED TYPE MECHANICAL



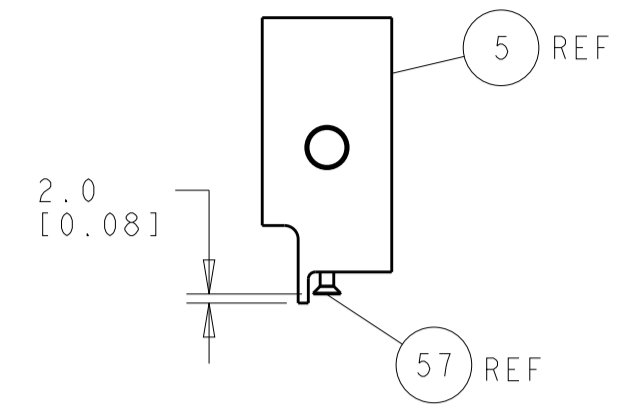
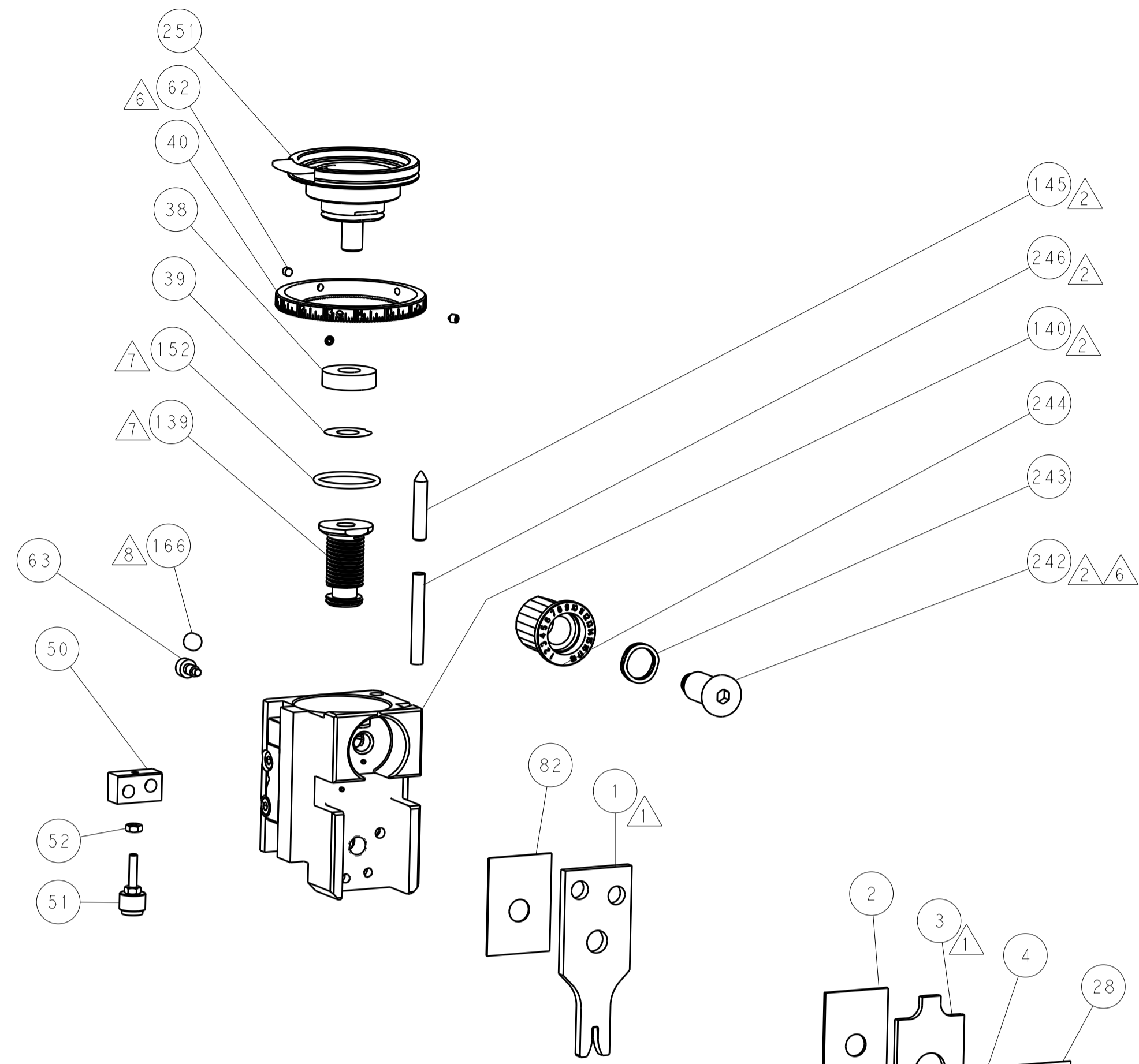
# PNEUMATIC



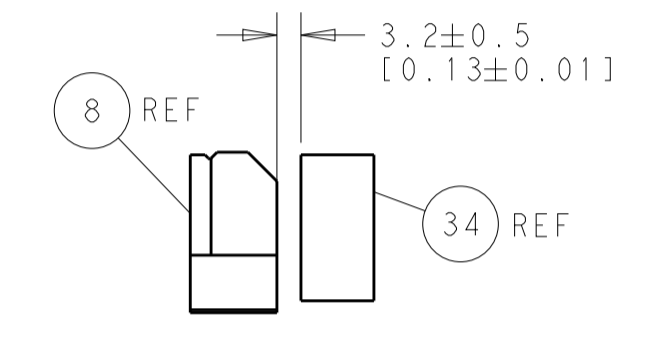
# SERVO LATCH PLATE



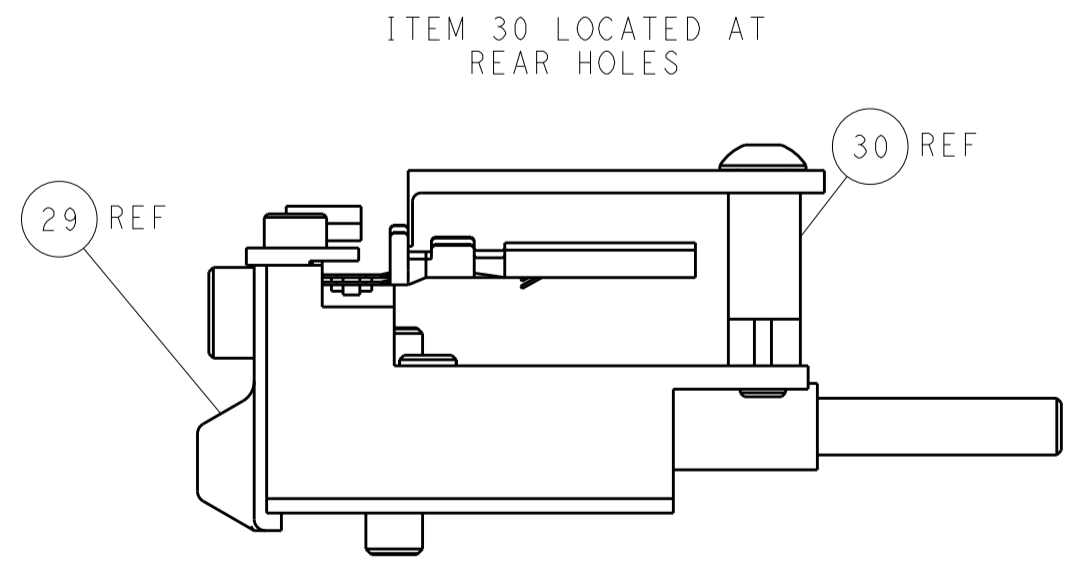
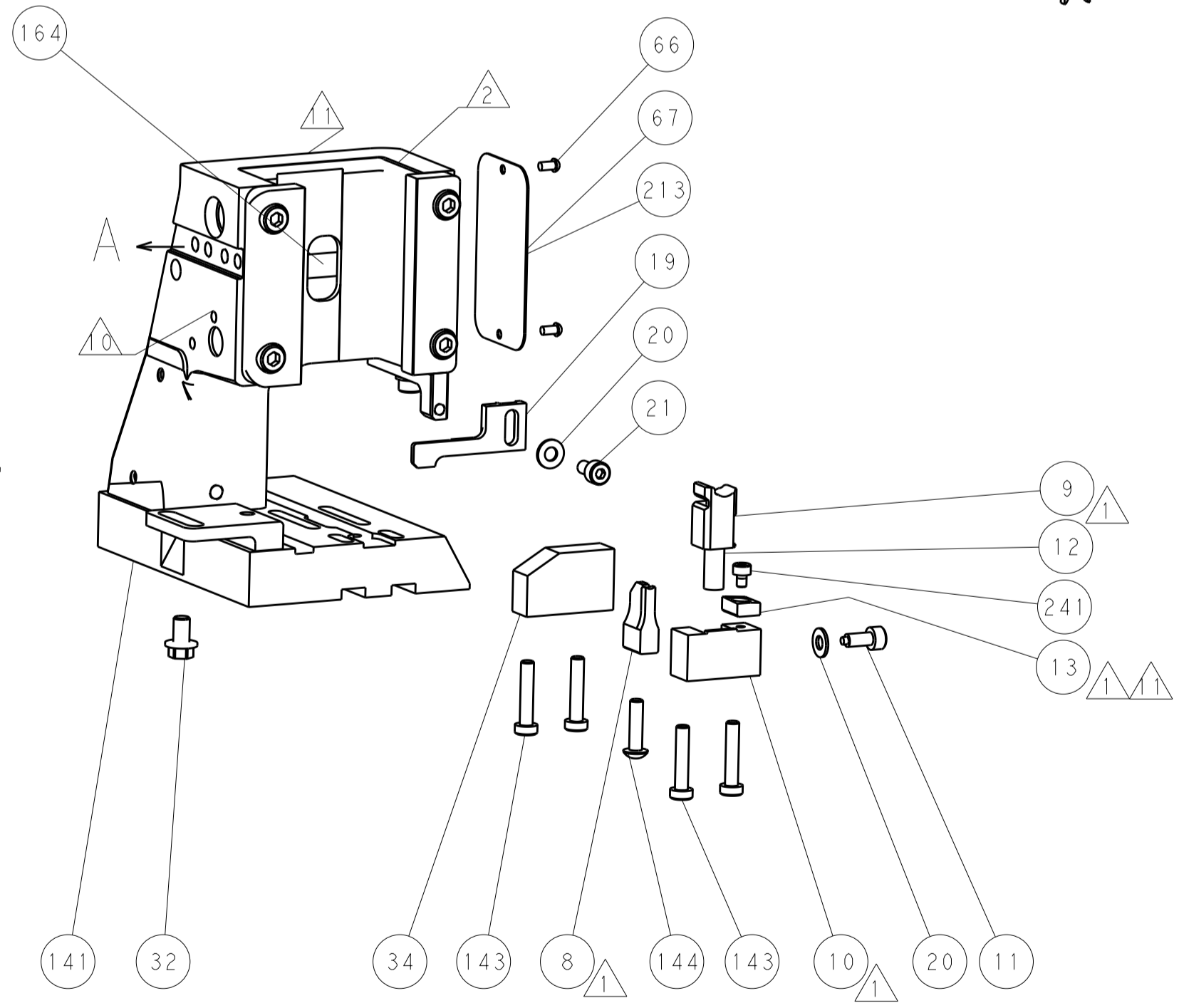
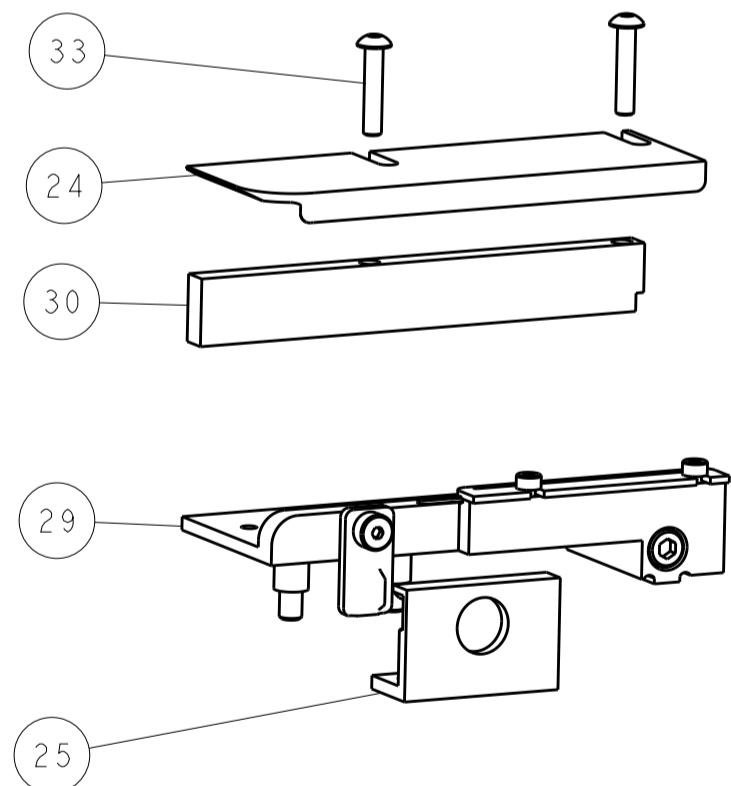
# CAM POSITIONS



SHEAR DEPRESSOR DETAIL



TERMINAL SUPPORT LOCATION



FEED TRACK POSITION  
GUIDE BY INSULATION BARREL

**PACIFIC VERSION**  
 Shown on sheets 3 of 4 & 4 of 4  
 (Atlantic version shown on sheets 1 of 4 & 2 of 4)

DIMENSIONS:		TOLERANCES UNLESS OTHERWISE SPECIFIED:		DWN	12MAR2014	TE Connectivity Harrisburg, PA 17105-3608
mm	0 PLC ±0.5	1 PLC ±0.5	2 PLC ±0.13	CHK	12MAR2014	
	3 PLC ±0.013	4 PLC ±0.001	ANGLES ±0.0001	APVD	12MAR2014	NAME
MATERIAL	FINISH			PRODUCT SPEC		Ocean Side Feed
				APPLICATION SPEC		Applicator
				WEIGHT	A1 00779	SIZE CAGE CODE DRAWING NO
				Customer Accessible Production Drawing		RESTRICTED TO
				SCALE	1:2	SHEET 4 OF 4 REV A1