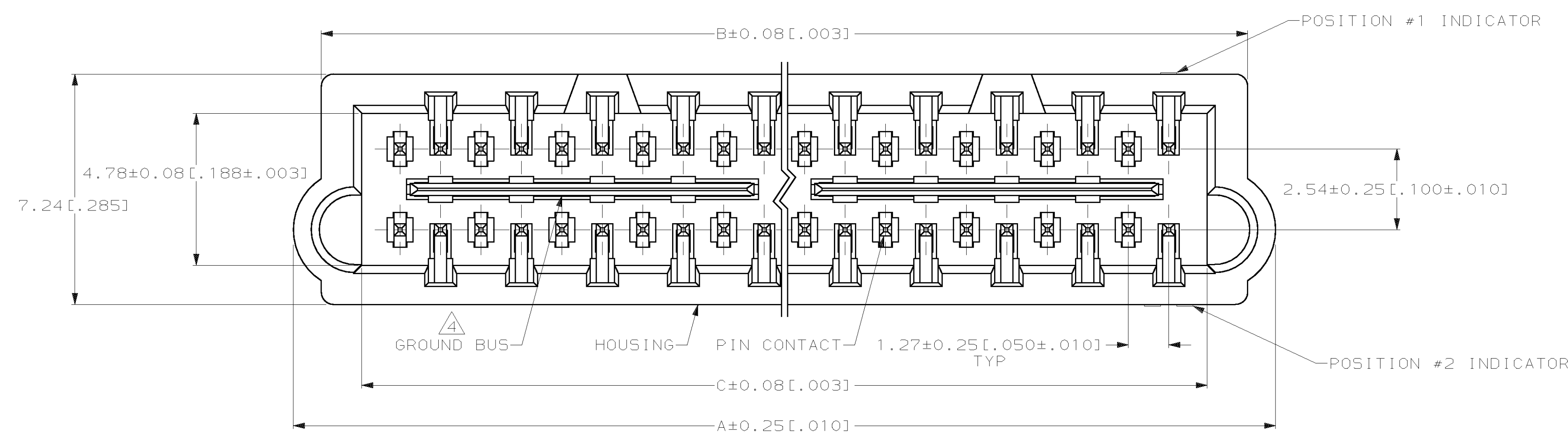
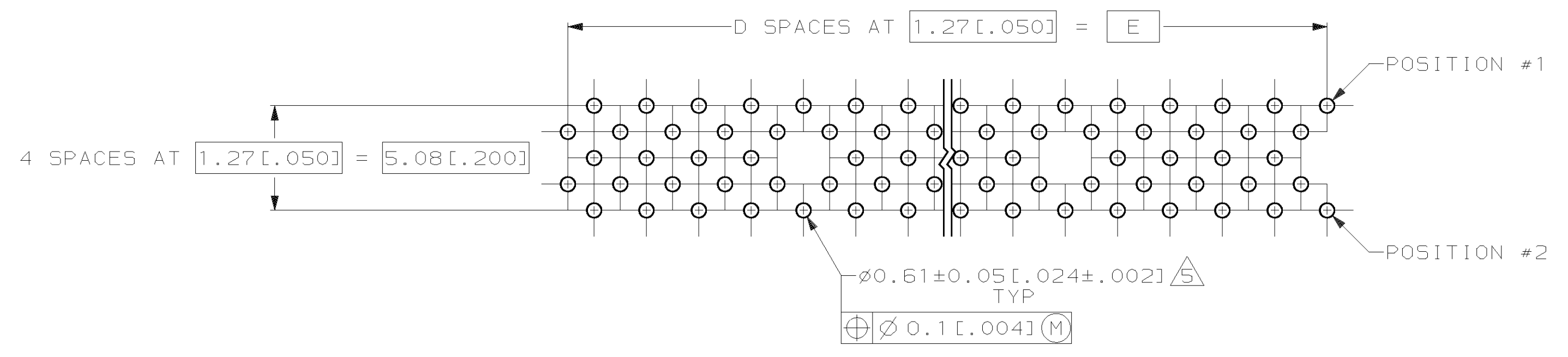
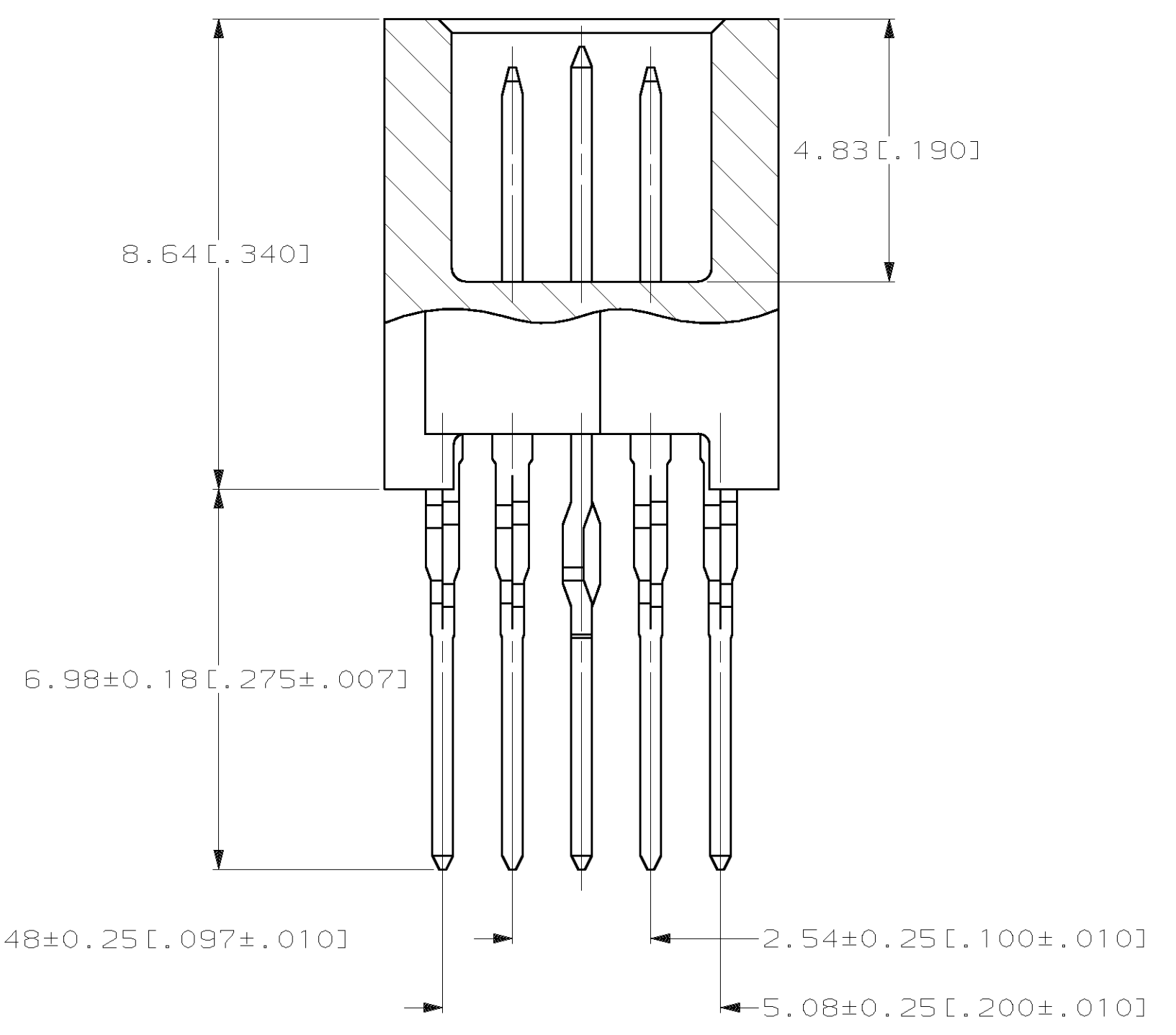
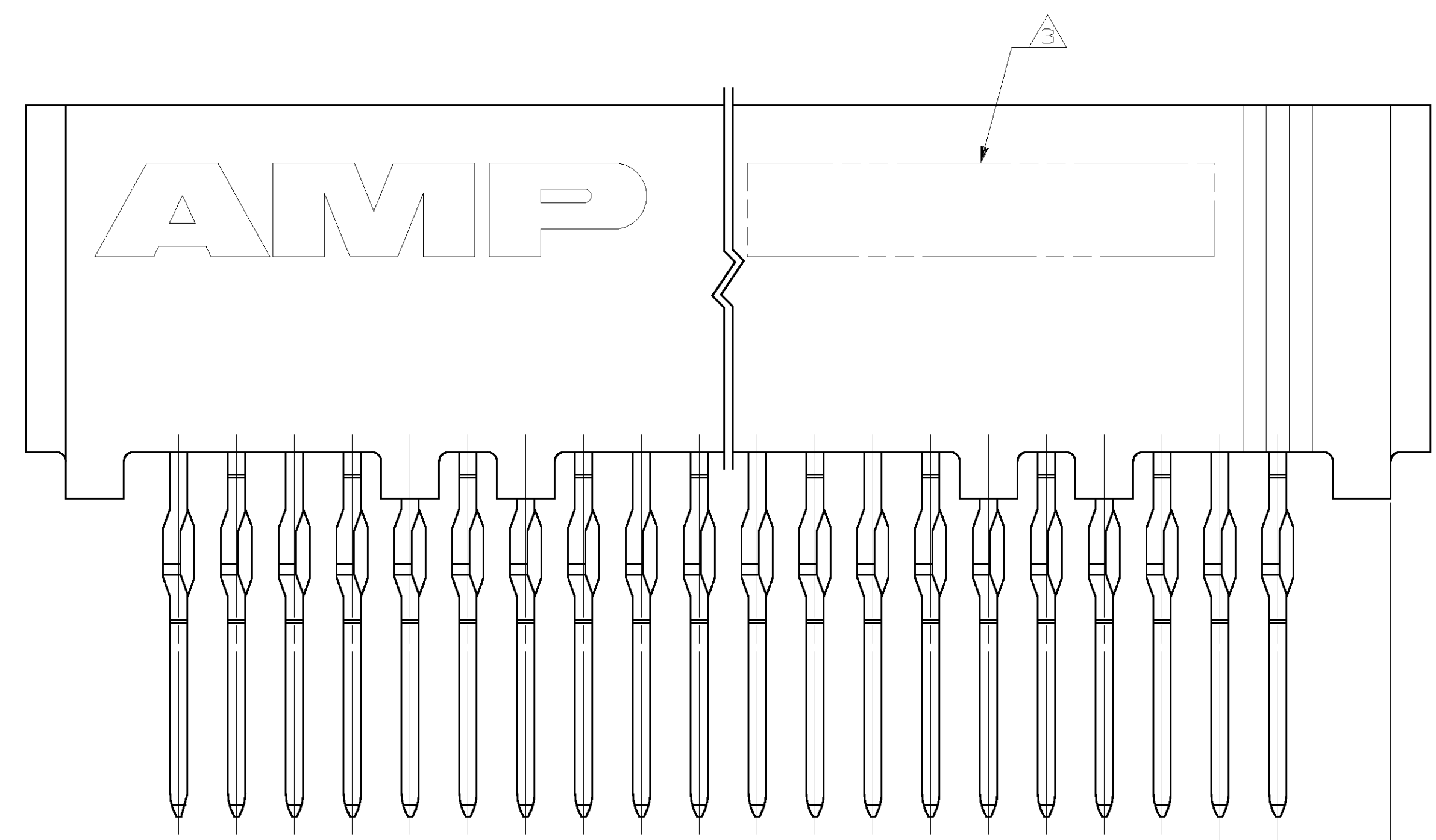


LOC		DIST		P		F		ZONE		LTR		REVISIONS			
AD	47											DESCRIPTION	DATE	APPD	
												E	REVISED PER 0512-0476-02	24FEB03	DRD



- △ HOUSING: HIGH TEMPERATURE THERMOPLASTIC, COLOR NATURAL.
- PIN CONTACTS: PHOSPHOR BRONZE.
- GROUND BUSES: PHOSPHOR BRONZE.
- △ PIN CONTACTS: 0.00076 [.000030] MIN GOLD IN CONTACT AREA, 0.00063-0.00191 [.000025-.000075] TIN-LEAD ON SOLDER TAIL, ALL OVER 0.00127-0.00254 [.000050-.000100] NICKEL ON ENTIRE CONTACT.
- GROUND BUSES: 0.00076 [.000030] MIN GOLD IN CONTACT AREA, 0.00063-0.00191 [.000025-.000075] TIN-LEAD ON SOLDER TAIL, ALL OVER 0.00127-0.00254 [.000050-.000100] NICKEL ON ENTIRE BUS.
- △ DATE CODE MARKED IN AREA INDICATED ON NEAR SIDE.
- △ ONE GROUND BUS WITH 4 TAILS PER EACH 20 PIN CONTACTS.
- △ 0.701 [.0276] DIA HOLE, PLATE WITH 0.0076-0.0254 [.00030-.00100] TIN-LEAD OVER 0.025-0.038 [.0010-.0015] COPPER, 0.61±0.05 [.024±.002] DIA HOLE AFTER PLATING.



RECOMMENDED PC BOARD HOLE LAYOUT  
 (VIEWED FROM CONNECTOR SIDE)  
 SCALE 5:1

100.33 [3.950]	79	102.82 [4.048]	105.28 [4.145]	107.04 [4.214]	160	536326-7
62.23 [2.450]	49	64.72 [2.548]	67.18 [2.645]	68.94 [2.714]	100	536326-4
E	D	C	B	A	NO OF POS	PART NUMBER

**METRIC**

THIS DRAWING IS A CONTROLLED DOCUMENT FOR AMP INCORPORATED. IT IS SUBJECT TO CHANGE AND THE CONTROLLING ENGINEERING ORGANIZATION SHOULD BE CONTACTED FOR THE LATEST REVISION.

DO NOT SCALE PRINT. UNLESS SPECIFIED DIMENSIONS IN mm [INCHES] TOLERANCES ON:	DR 4-2-93 J.GERACE
2 PLC DEC ± 0.13 [.005]	CHK 4-2-93 D.SINISI
3 PLC DEC ± -	APPD 4-2-93 P.MATAR
ANGLES ± -	APPD 4-2-93 D.SINISI
MATERIAL	PRODUCT SPEC 108-1272
FINISH	APPLICATION SPEC 114-11005
	WEIGHT -

AMP Incorporated Harrisburg, PA 17105-3608		
NAME PLUG ASSEMBLY, .430 VERTICAL STACK, .275 ACTION PIN TAIL, BOARD TO BOARD, MICROSTRIP		
SIZE D	CAGE CODE 00779	DRAWING NO C-536326
SCALE 10:1	SHEET 1 OF 1	