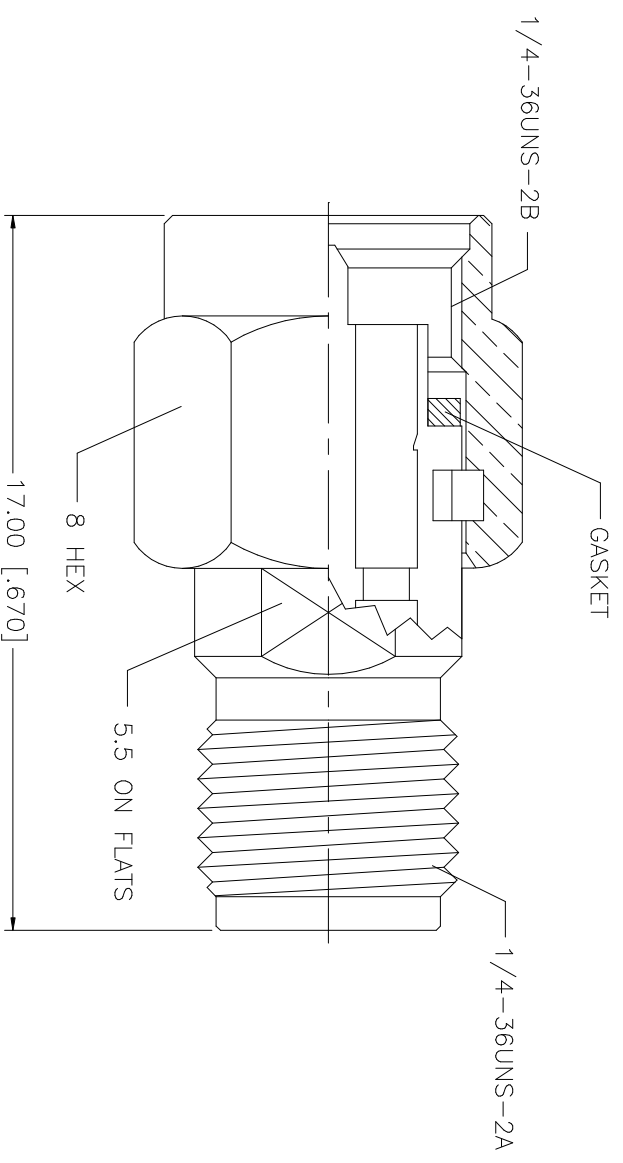


REV.	DATE	DESCRIPTION
A	06/05/03	UPDATE DRAWING FORMAT
B	01/31/06	ADD GASKET DETAIL AND X-SECTION



QTY	FINISH	MATERIAL	DESCRIPTION
1	RED	SILICONE	GASKET
1	GOLD	BER. COPPER	CONTACT PIN
1	NATURAL	TEFLON	INSULATOR
1	GOLD	BRASS	BODY/SHELL
			DESCRIPTION

APPROVALS	DATE
DRAWN G.R.S.	01/31/06
CHECKED	
ISSUED	
SHEET 1 OF 1	

UNLESS OTHERWISE SPECIFIED DIMENSIONS ARE IN INCHES AND FOR CUSTOMER REFERENCE ONLY.	UNLESS OTHERWISE SPECIFIED DIMENSIONS ARE IN MILLIMETERS FOR MILLIMETERS ARE:
0.5 - 8mm ± 0.20mm	8 - 30mm ± 0.40mm
30 - 120mm ± 0.50mm	
UNLESS OTHERWISE SPECIFIED DIMENSIONS FOR INCHES ARE:	UNLESS OTHERWISE SPECIFIED DIMENSIONS FOR MILLIMETERS ARE:
.020 - .315 = ± 0.007"	.315 - 1.180 = ± 0.015"
1.180 - 4.724 = ± 0.020"	

DO NOT SCALE DRAWING	CAD FILE	DWG. NO.	REV.	SIZE	SCALE
	C:/132/132171.DWG	132171.DWG	B	A	NA

<b>Amphenol Connex</b>	
PART DESCRIPTION	
SMA MALE TO FEMALE ADAPTER	
PART NO.	132171