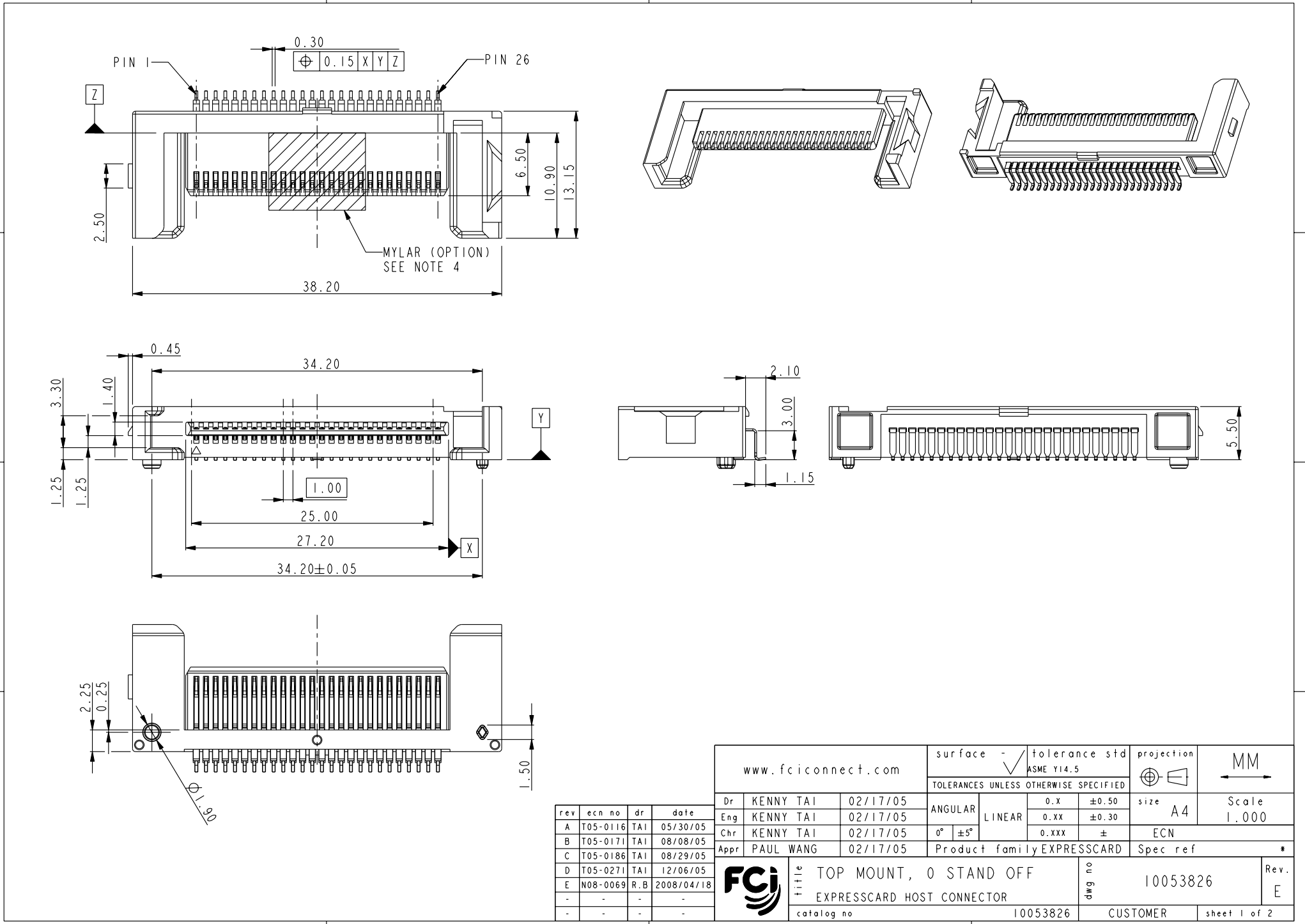




Copyright FCI.



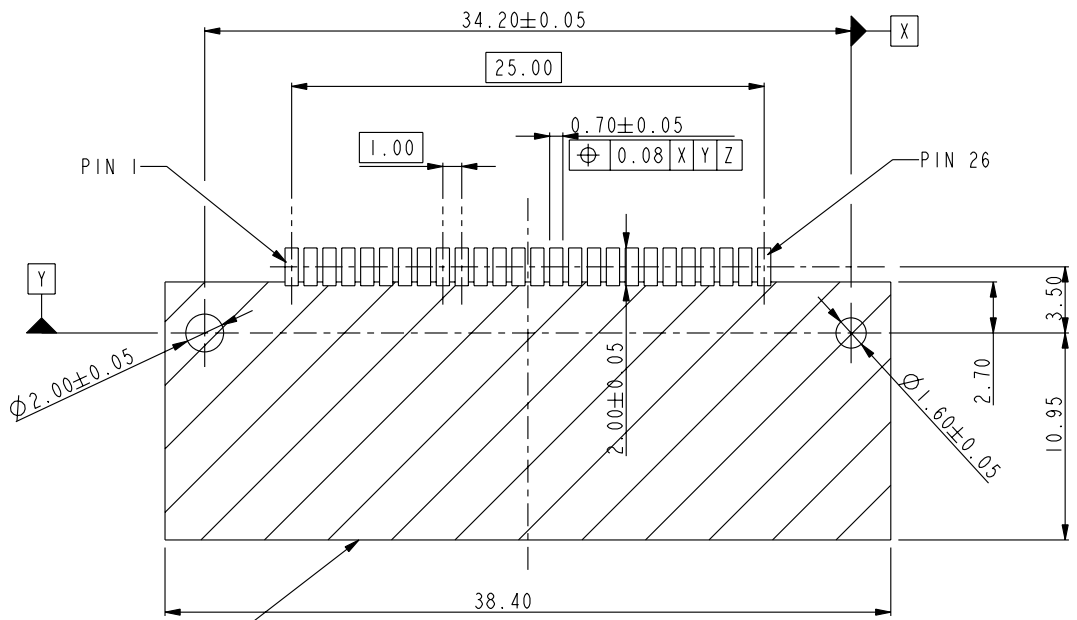
rev	ecn no	dr	date
A	T05-0116	TAI	05/30/05
B	T05-0171	TAI	08/08/05
C	T05-0186	TAI	08/29/05
D	T05-0271	TAI	12/06/05
E	N08-0069	R.B	2008/04/18
-	-	-	-
-	-	-	-

www.fciconnect.com		surface - <input checked="" type="checkbox"/> tolerance std ASME Y14.5	projection	MM
TOLERANCES UNLESS OTHERWISE SPECIFIED		ANGULAR	LINEAR	size A4 Scale 1.000
Dr	KENNY TAI	02/17/05	0.X ±0.50	ECN
Eng	KENNY TAI	02/17/05	0.XX ±0.30	Product family EXPRESSCARD
Chr	KENNY TAI	02/17/05	0.XXX ±	Spec ref *
Appr	PAUL WANG	02/17/05	FCI	
TITLE TOP MOUNT, 0 STAND OFF		dwg no 10053826		Rev. E
EXPRESSCARD HOST CONNECTOR		catalog no 10053826	CUSTOMER	sheet 1 of 2

REV F - 2006-04-17



Copyright FCI.



NOTES :

1. MATERIAL:  
HOUSING: HIGH TEMPERATURE THERMOPLASTIC,  
UL 94 V-0 FLAME RETARDANT.  
TERMINAL: COPPER ALLOY.  
PLATING SPEC. AS BELOW :  
Ni 50u" UNDER PLATED.  
Au OR GXT OVER CONTACT AREA. (ONE SIDE)  
Tin 120u" OVER SOLDERING AREA.
2. PACKING SPEC. GS-14-924.
3. PRODUCT PERFORMANCE PER SPEC. GS-12-285.
4. PART NUMBER SCHEME: (EX. 10053826-100ABSMFLF)  
10053826-X XX X X X X LF (LEAD FREE)

SPEC.	OPTION (CODE)		
MYLAR	WITH (M)	WITHOUT ( )	
PACKING	TRAY (S)	TAPE & REEL (T)	TUBE (P)
HSG COLOR	BLACK (B)	NATURE (N)	
MOUNT SIDE	ABOVE (A)		
STAND-OFF	0 (00)		
PLATING	GOLD 30u" (1)	GXT 30u" (2)	
		GXT 15u" (4)	

5. RoHS COMPATIBLE PRODUCT SPECIFICATIONS

- a-PLATING:  
-"LF" MEANS THE PRODUCT IS LEAD-FREE, 2micro-meter MINIMUM MATTE TIN OVER 1.27micro-meter MINIMUM NICKEL UNDERPLATE.
- b-MANUFACTURING PROCESS COMPATIBILITY.  
-THE HOUSING WILL WITHSTAND EXPOSURE TO 260°C±5°C SOLDER BATH TEMPERATURE FOR 5 SECONDS IN A REFLOW SOLDER APPLICATION WITH A 1.6mm MIN THICK CIRCUIT BOARD.

www.fciconnect.com			surface <input checked="" type="checkbox"/>	tolerance std ASME Y14.5	projection 	MM		
TOLERANCES UNLESS OTHERWISE SPECIFIED								
Dr	KENNY TAI	02/17/05	ANGULAR	LINEAR	0.X	±0.50	size A4	Scale 1.000
Eng	KENNY TAI	02/17/05			0.XX	±0.30	ECN	
Chr	KENNY TAI	02/17/05			0°	±5°		
Appr	PAUL WANG	02/17/05	Product family EXPRESSCARD			Spec ref	*	
			TOP MOUNT, 0 STAND OFF			dwg no 10053826	Rev. E	
EXPRESSCARD HOST CONNECTOR			catalog no 10053826			CUSTOMER	sheet 2 of 2	