

MCDP2900

DisplayPort1.4 to HDMI2.0a protocol converter with HDCP2.2 repeater

Datasheet

Rev. D



MegaChips' Proprietary and Confidential

This information shall not be shared or distributed outside the company and will be exchanged based on the signed proprietary information exchange agreement. MegaChips reserves the right to make any change herein at any time without prior notice. MegaChips does not assume any responsibility or liability arising out of application or use of any product or service described herein except as explicitly agreed upon.

Contents

1. Description.....	9
2. Application overview.....	10
2.1. Adaptor application	10
2.2. Docking station application	10
2.3. TV Application	11
3. System block diagram	11
4. Interface description	12
4.1. Input interface	12
4.1.1. Video stream regeneration	12
4.1.2. Horizontal blanking expansion.....	13
4.1.3. On-chip video pattern generation	13
4.1.4. Audio stream regeneration	13
4.1.5. HDCP RX.....	13
4.2. Output interface.....	13
4.2.1. HDMI transmitter.....	13
4.2.2. HDCP TX	14
4.2.3. DDC master	14
4.2.4. HDMITX_HPDP.....	14
4.2.5. CEC.....	14
4.3. Chip power-up sequence and reset	14
4.4. Clock generation	15
4.4.1. Internal crystal oscillator operation	16
4.4.2. Crystal specifications	17
5. Chip operation	18
5.1. Initial state	18
5.2. Video pixel processing	18

5.2.1.	Color Space Converter	18
5.2.2.	Horizontal Chroma Down-Sampler	18
5.2.3.	Vertical Chroma Down-Sampler	18
5.3.	Power management	19
5.4.	HDCP operation	20
5.5.	CEC tunneling over AUX.....	21
6.	System interface.....	22
6.1.	I2C interface	22
6.2.	SPI interface.....	22
6.3.	UART interface.....	22
6.4.	GPIO interface	23
6.5.	Locking of system interfaces.....	23
6.6.	Development Parts with FX marking.....	23
7.	BGA footprints and pin list.....	24
7.1.	Signal mapping sorted by ball (pin) number	25
8.	Connections.....	28
8.1.	Pin list.....	28
8.2.	Bootstrap configuration	32
8.3.	EXT_RESETN connection	32
9.	Package.....	34
9.1.	Package drawing.....	34
9.2.	LFBGA 7 x 7 dimensions	35
9.4.	Marking field template and descriptors	36
9.5.	Classification reflow profile.....	36
10.	Electrical specifications.....	37
10.1.	Absolute maximum ratings	37
10.2.	Power connections	38

10.3.	DC characteristics	39
10.4.	AC characteristics.....	41
10.4.1.	DisplayPort receiver	41
10.4.2.	HDMI transmitter I/O specifications.....	42
10.4.3.	I2C interface timing	43
10.4.4.	SPI interface timing	45
11.	Ordering information	46
12.	Revision history	47

List of tables

Table 1.	Crystal specifications.....	17
Table 2.	MCDP2900 power saving states.....	19
Table 3.	HDCP operations of MCDP2900.....	21
Table 4.	Pin list.....	25
Table 5.	DisplayPort receiver pins.....	28
Table 6.	HDMI output pins.....	29
Table 7.	System interface pins.....	30
Table 8.	Power and ground pins.....	31
Table 9.	Bootstrap configuration.....	32
Table 10.	MCDP2900 package dimensions.....	35
Table 11.	Field descriptors.....	36
Table 12.	Absolute maximum ratings.....	37
Table 13.	DC characteristics.....	39
Table 14.	IO DC characteristics.....	40
Table 15.	Maximum speed of operation.....	41
Table 15.	DisplayPort receiver characteristics.....	41
Table 16.	HDMI transmitter DC specifications.....	42
Table 17.	HDMI transmitter AC characteristics.....	43
Table 18.	I2C interface timing.....	43
Table 19.	SPI interface timing.....	45
Table 20.	Order codes.....	46
Table 21.	Document revision history.....	47

List of figures

Figure 1.	MCDP2900 block diagram	8
Figure 2.	MCDP2900 adaptor (dongle) use case	10
Figure 3.	MCDP2900 block diagram	11
Figure 4.	Power-up timing sequence	15
Figure 5.	Internal crystal oscillator operation	16
Figure 6.	Parasitic capacitance sources	17
Figure 7.	MCDP2900 BGA diagram.....	24
Figure 8.	EXT_RESETN Connection to MCDP2900	33
Figure 9.	MCDP2900 package drawing	34
Figure 10.	Marking template	36
Figure 11.	Recommended Power supply connections for MCDP2900.....	38
Figure 12.	I2C timing.....	44

Features

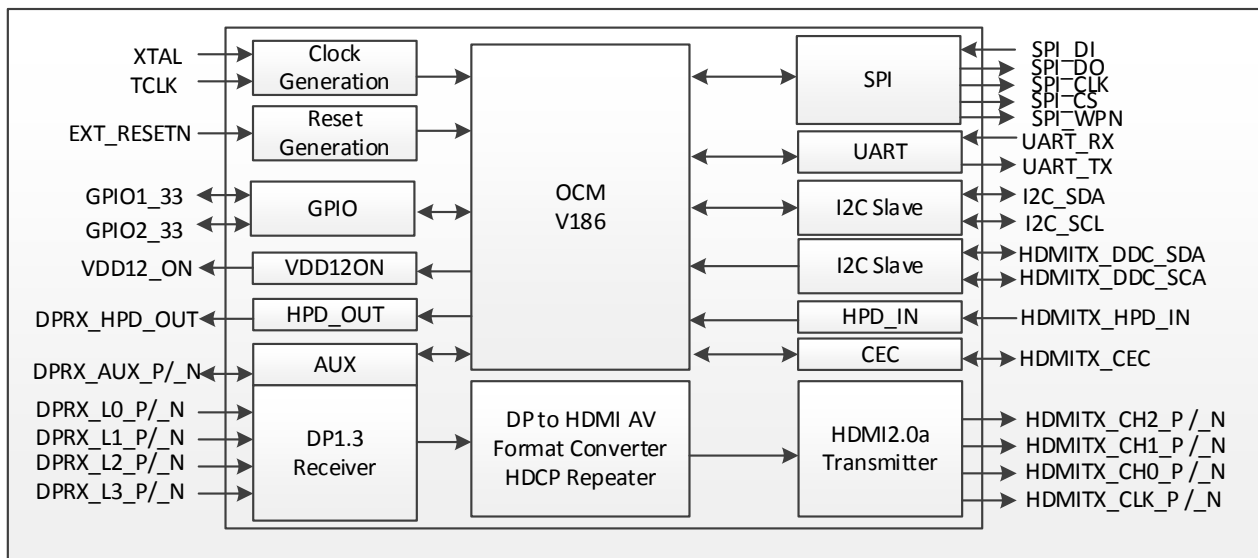
- DisplayPort® (DP) ver. 1.4 receiver
 - Up to 5.4Gbps Link rate supporting HBR2/HBR/RBR modes
 - 1, 2, or 4 lanes configuration
 - Programmable receiver equalization
 - Single Stream
 - AUX CH 1 Mbps
 - 3.3V HPD_OUT
 - Link Training (LT) enhancements as in DP1.4 specification
 - Video Stream Handling
 - Up to 600MHz dual pixel path and 16bpc
 - RGB/ YCbCr 444/422/420 pixel format
 - Horizontal expansion of VESA CVT to CEA timings as per DP1.4 specification
 - DPCD and CEC
 - Supports DPCD data structure revision 1.4 as per DP1.4 specification
 - Supports CEC tunneling over AUX
 - DP to HDMI Stereoscopic 3D Transport
 - Frame Sequential to Stacked Top-Bottom Conversion
 - Pass-through of other 3D formats
 - Audio Stream handling
 - LPCM and Compressed Audio encoding formats
 - Max Audio sample rate of 192KHz x8 Channel or 768KHz x2 Channel
- HDMI ver. 2.0a transmitter
 - 600 MHz maximum TMDS character clock
 - DC-coupled outputs with source termination
 - TMDS character-clock divide_by_4 Mode
 - Scrambling over HDMI2.0a
 - Programmable edge rate control
 - Programmable pre-emphasis control
 - Deep color up to 16 bits per color
- High Dynamic Range support (Static and Dynamic HDR)
- 3D video timings
- CEC support – snooping, tunneling
- HPD_IN handling
- SCDC read request handling
 - Polling enabled for HDMI sinks not supporting read requests
- Video Input Processing (up to 6Gbps)
 - Color space conversion
 - 10 bits per color input width
 - 12 bits per color output width
 - 16 bits per color pass through
 - Programmable coefficient 3x3 matrix
 - Programmable input offset
 - Programmable output offset
 - Programmable output clipping levels
- Chroma Down Sampling
 - 5-tap H & V FIR filters with programmable coefficients
 - 12 bits per color input width
 - 12 bits per color output width
 - YCbCr444 to YCbCr420 conversion
 - YCbCr444 to YCbCr422 conversion
 - YCbCr422 to YCbCr420 conversion
 - Bypass chroma down-sampling for YCbCr420 input over DP Link
- Max video resolution and color depth on HDMI TX output
 - 4Kp60Hz, RGB/YCbCr444, 8 bpc
 - 4Kp60Hz, YCbCr422 up to 12 bpc
 - 4Kp60Hz, YCbCr420, up to 16 bpc
 - 4Kp30Hz, RGB/YCbCr444, up to 16 bpc
- Audio stream forwarding from DP RX to HDMI TX
 - Up to 8-ch, 192 kHz, 24 bps LPCM audio, AC3, DTS, Dolby-HD
 - 2-ch, 768 kHz 24 bps HBR audio
- HDCP support
 - HDCP1.3 to HDCP1.4 Repeater function
 - HDCP2.2 to HDCP1.4 Repeater function

- HDCP2.2 to HDCP2.2 Repeater function
- Read-protected embedded HDCP keys
- Enhanced security
 - Encrypted on-chip key storage
 - Security signed application firmware
 - Secure boot-up procedure
 - Debug ports disabled in production
- Metadata handling
 - HDMI TX DVI/HDMI mode setting (DPCD register)
 - YCbCr444-420 conversion (DPCD register)
 - IEC60958 BYTE3 Channel Status overwrite
 - CEA861F INFOFRAME generation
 - CEA861.3 HDR and Mastering InfoFrame as per DP1.4 specification
- Device configuration options
 - 8Mbit SPI flash for firmware binary image storage
 - AUX CH, I2C host interface
- Internal video pattern generator
 - Configurable through DPCD registers
- EMI reduction support
 - Spread spectrum for DP input
 - Scrambler for DP input and HDMI2.0a output
- Low power operation
 - 570 mW in protocol converter operation
 - 11 mW sleep mode operation
 - 4 mW in Connected Standby operation
- ESD specification
 - ESD: +/-2 KV HBM, 500 V CDM
 - ESD: +/-6.5 KV HBM connector facing pins
- Package
 - 64 LFBGA (7 x 7 mm)
- Power supply voltages
 - 3.3 V I/O; 1.2 V core

Applications

- Notebook, Tablet Accessories (USB Type-C dongles, docking stations)
- TV, Signage, Game consoles, STB

Figure 1. MCDP2900 block diagram



1. Description

The MCDP2900 is a power-optimized DisplayPort1.4-to-HDMI2.0a converter, targeted for enabling USB Type-C DP Alt mode on TVs, Game consoles and other consumer equipment as well as for mobile PC and tablet accessory applications. This device functions as an active protocol converter with HDCP1.x/ HDCP2.2 repeater supporting HDR video quality for deep color media content playback.

MCDP2900 behaves as a DP branch device with a DP-to-HDMI transport protocol converter function and allows a DP or USB Type-C source to drive an HDMI2.0a sink device. The maximum TMDS character clock frequency supported is 600 Mchar/s (per HDMI2.0a specification).

The MCDP2900 operates with two power supply voltages: 1.2 V and 3.3 V. It consumes:

- 570 mW in protocol converter operation
- 11 mW sleep mode operation
- 4 mW in connected standby mode operation

The MCDP2900 has a DP1.4 receiver and an HDMI2.0a transmitter. The DP receiver supports up to 5.4Gbps/lane over 4 lanes. It supports DP SST transport format on its main link and Manchester-coded AUX signaling as the side band channel. The downstream HDMI TX port is HDMI2.0a specification compliant.

The MCDP2900 is capable of supporting Ultra High-Definition video formats with resolutions as high as 4096 x 2160 progressive @ 60 Hz (4K2Kp60Hz). It supports RGB/YCbCr video color formats with a color depth of 16 bpc (bits per component or 48 bits per pixel) as long as it fits within the DP and HDMI link bandwidth. This device also supports pixel encoding conversion from RGB or YCbCr444 to YCbCr420 and a YcbCr420 pass-through function. In addition, High Dynamic Range (HDR) with deep color up to 12bpc at 4Kp60Hz is supported through the conversion of RGB/YCbCr444 over DP link to YCbCr420 on the HDMI output with a horizontal expansion to CEA timings.

This device offers secure reception and transmission of high bandwidth digital audio and video content with HDCP1.3 and HDCP2.2 content protection for the upstream DP interface. It also has a repeater function for HDCP1.4 and HDCP2.2 for the downstream HDMI interface.

The MCDP2900 uses an external crystal of 27 MHz as a reference clock for its operation. An internal Power On Reset (POR) circuit senses the voltage on the reset input and provides the chip reset during system power-up. The device has an internal microcontroller with SPI, UART (debug only), and I2C system interface signals. It uses an external 8Mbit SPI flash memory for storing a secure signed firmware image with fail-safe recovery. Firmware updates of the SPI flash are done securely through the DP AUX_CH or I2C, depending on the application.

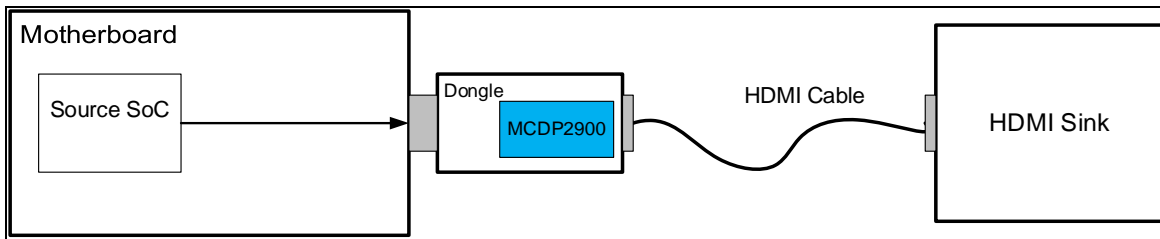
2. Application overview

The target applications of MCDP2900 are the notebook, tablet accessories i.e., adaptors (dongles), docking stations and other AV accessories. MCDP2900 is also intended for enabling USB Type-C DP alternative mode for inside-the-box applications such as TVs, game consoles and other consumer equipment.

2.1. Adaptor application

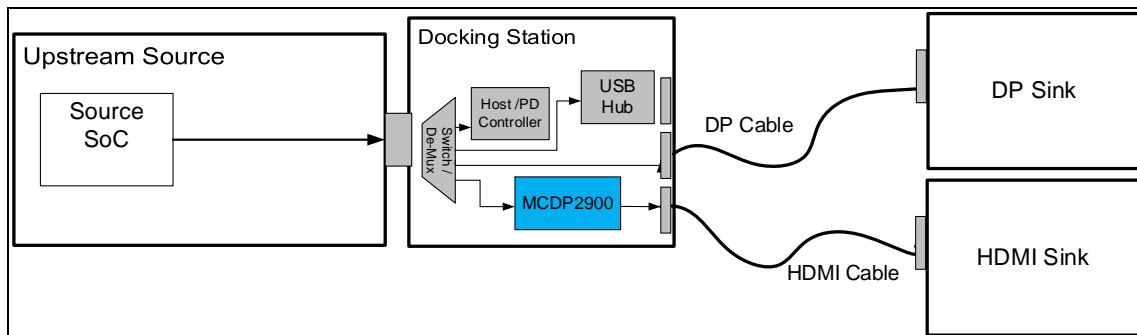
In a dongle topology the MCDP2900 is part of the source side adaptor that plugs into a DP source device via a DisplayPort connector (e.g. full-size DP or mini-DP receptacle or USB-Type-C Alt-Mode receptacle on the upstream facing port). In the conventional DP-to-HDMI dongle application, MCDP2900 functions as a system master and operates as a protocol converter, an HDCP1.x repeater or an HDCP2.2 repeater. In a Type-C dongle design, a PD controller functions as the system master. The upstream source typically powers the dongle.

Figure 2. MCDP2900 adaptor (dongle) use case



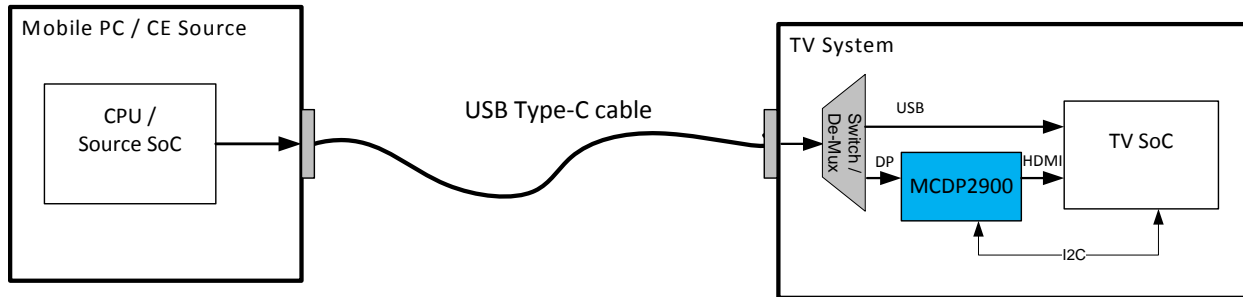
2.2. Docking station application

In a docking station topology, the MCDP2900 is part of a larger system into which a DP source device plugs in via a custom connector or USB-Type-C Alt-Mode receptacle on the upstream facing port. In a docking station design the MCDP2900 typically co-exists with other system components such as the system host or PD controller, AV switch, and USB hub. In this application, the MCDP2900 functions as a protocol converter, an HDCP1.x repeater, or an HDCP2.2 repeater.



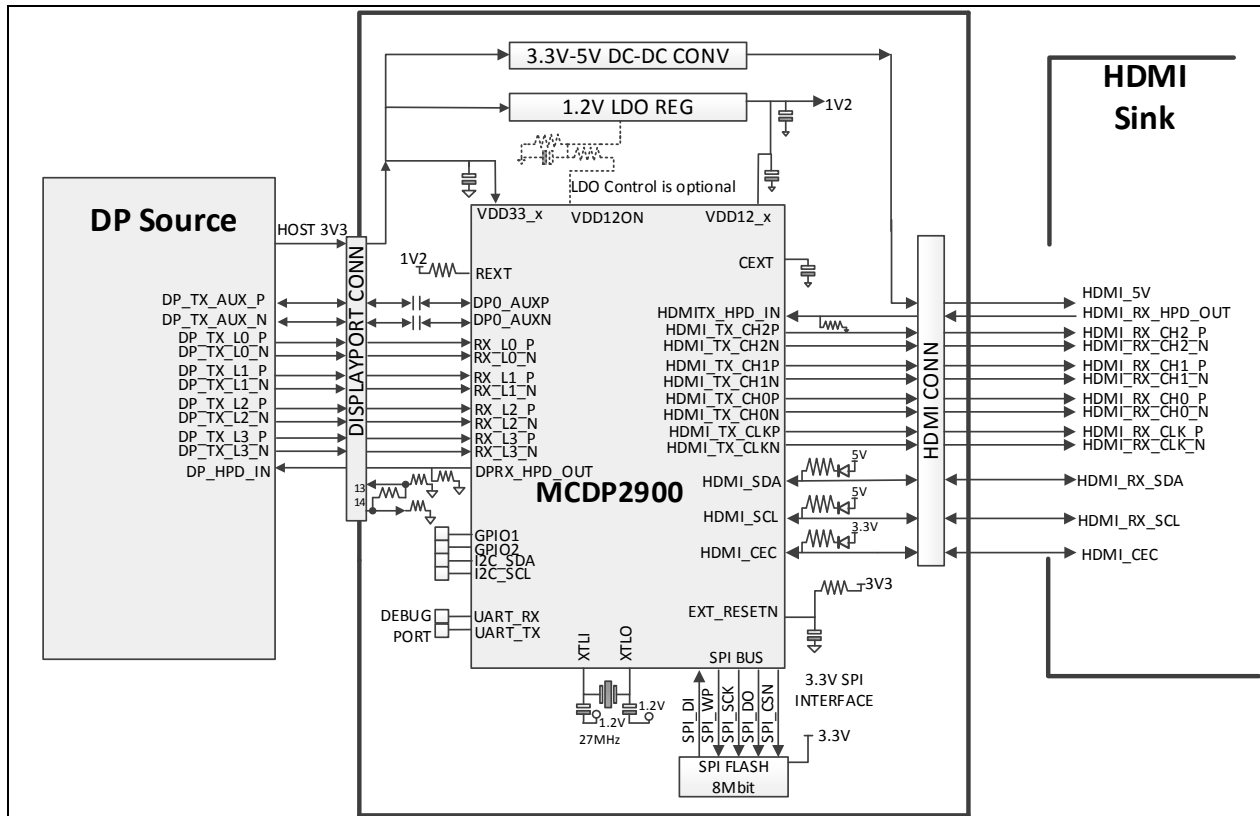
2.3. TV Application

A TV system featuring the USB Type-C connector supporting the DP Alt-mode requires a DP-to-HDMI protocol converter. The MCDP2900 is an ideal fit for such applications; it supports video resolution up to 4K60Hz with HDR video quality for deep color media playback, end-to-end HDCP2.2 content protection, and CEC tunneling over DP for single-point remote-control access for all connected devices.



3. System block diagram

Figure 3. MCDP2900 block diagram



4. Interface description

4.1. Input interface

The MCDP2900 receives audio-video streams from a source device via the DP1.4 link supporting a main link configuration of up to 4 lanes (and up to 5.4Gbps/lane) with 0.5% down-spread option. The DP link consists of 4 main lanes, AUX CH, and a DP_HPD signal.

Both the main link receiver and AUX CH transceiver are internally terminated to the 1.2 V power rail. The AC-coupling capacitors for the AUX signals shall be placed externally. The DP_HPD signal is a 3.3V TTL signal set to “1” when MCDP2900 is ready to handle an AUX request transaction. An external pull down resistor of 100 Kohm shall be used. The power for MCDP2900 can be provided by a DP source device, DP_PWR on a DP connector, or from the USB Type-C connector, or by an external supply.

MCDP2900 supports both native AUX transaction syntax and I2C-over-AUX transaction syntax. With I2C-over-AUX transactions, a DP source can access the downstream EDID. EDID larger than 256 bytes can be accessed by using segmented addressing mechanism specified in the E-DDC standard.

The MCDP2900 supports link training with AUX transactions as specified in DP1.4. The usage of TPS4 (Training Pattern Sequence 4) added to DP1.4 is recommended to optimize both DPTX PHY drive setting of DP source and its own DPRX EQ setting. If a DP source does not support TPS4, support of the POST_LT_ADJ_REQ procedure as defined in DP1.4 is recommended. Once the DP source has performed link training, but later stops the main link signal transmission (for example, transitioning to the power saving state with DPCD 00600h set to 02h), MCDP2900 requires another full link training to re-establish the link. MCDP2900 also supports the new link training policy defined for DP alternative mode sources. In this policy, the lane count is reduced to match the number of lanes physically connected based on the DPCD clock recovery status register [LANEx-CR_DONE].

By default, the firmware keeps DP_HPD asserted unless it is in OFF power state, regardless of whether HDMI_HPD input is asserted or not. The HDMITX_HPD input status is reflected on SINK_COUNT value at DPCD 00200h. The value is 1 when the HDMITX_HPD input is asserted, and 0 when de-asserted.

Whenever MCDP2900 detects HDMI_HPD input status change, it generates IRQ_HPD on the DP_HPD line.

4.1.1. Video stream regeneration

The MCDP2900 is capable of regenerating an incoming video stream from a DP source up to 600Mpixels/sec and 16 bits per component / 48 bits per pixel, as long as the video stream bandwidth fits within the link bandwidth.

4.1.2. Horizontal blanking expansion

MCDP2900 supports VESA CVT horizontal reduced blanking to CEA-861-F conversion up to 4Kp60Hz video timing format.

4.1.3. On-chip video pattern generation

MCDP2900 has an on-chip pattern generator controlled by vendor-specific DPCD Addresses 00579h ~ 0057Bh.

4.1.4. Audio stream regeneration

The DP receiver is capable of regenerating 2-ch audio up to 768 kHz, and 8-ch audio up to 192 kHz, with the sample bit depth of 16, 20, and 24 bits per sample.

4.1.5. HDCP RX

MCDP2900 supports HDCP1.3 and HDCP2.2 for DP. The HDCP RX key sets are stored in a secure on-chip OTP memory.

4.2. Output interface

The MCDP2900 outputs audio-video streams in DC-coupled (3.3 V level) TMDS format to the downstream HDMI connector. The HDMI transmitter in MCDP2900 is compliant with both HDMI1.4 and HDMI2.0a specifications.

4.2.1. HDMI transmitter

The HDMI output port consists of 3 data pairs, a clock pair, a DDC channel, HDMI_HPD signal and CEC signal. The maximum data rate on this link is 6.0 Gbs per channel. Both data and clock channels shall be terminated to 3.3 V by the downstream HDMI receiver. MCDP2900 autonomously controls both TMDS character clock divide by 4 and scrambling as defined by HDMI2.0a. Differential voltage swing, pre-emphasis, edge rate, and source termination can be controlled by vendor-specific DPCD registers.

The HDMI TX PHY is capable of generating three PHY test patterns selectable by DPCD registers.

The HDMI_HPD input signal shall be directly connected to the downstream HDMI_HPD from the HDMI connector.

The HDMI CEC feature is supported by MCDP2900 as defined in the DP1.4 specification. CEC commands between downstream HDMI device and upstream DP source device are tunneled through DP AUX_CH.

4.2.2. HDCP TX

MCDP2900 supports HDCP1.4 and HDCP2.2 content protection. It functions as an HDCP1.x and HDCP2.2 repeater. The HDCP key sets are stored in a secure on-chip OTP memory.

4.2.3. DDC master

The HDMI TX has a DDC master that supports EDID reads, MCCS and SCDC read requests. The DDC channel is a 5 V, open-drain signal; it requires an external diode termination with a 2.2 K Ω series resistor to a 5 V supply. No more than 10 μ A of current per DDC pad is drawn when the DDC lines are pulled up to 5.5 V while the chip is powered off. The DDC data rate is selected in the range of 1 kbps to 100 kbps, with 50 kbps being the default rate, by DPCD address 00109h.

MCDP2900 reads the HDMI RX link error status once every 100 ms and updates the HDMI link error status registers at DPCD 03031h ~ 03033h. An IRQ_HPD is generated with any HDMI_LINK_STATUS_CHANGE.

4.2.4. HDMITX_HPD

MCDP2900 monitors the HDMI_HPD status unless it is in the OFF power state and updates the SINK_COUNT DPCD register value at DPCD Address 00200h. The value is 1 when HDMI_HPD is asserted and 0 when HDMI_HPD is de-asserted. Upon the HDMI_HPD status change, the chip generates an IRQ_HPD on DP_HPD line with the SINK_COUNT value updated.

HDMITX_HPD_IN pin shall have a 20k pull-down resistor. No more than 10 μ A of current pad is drawn by HDMITX_HPD_IN pin when it is pulled up by the sink to 5.5 V while the chip is powered off.

4.2.5. CEC

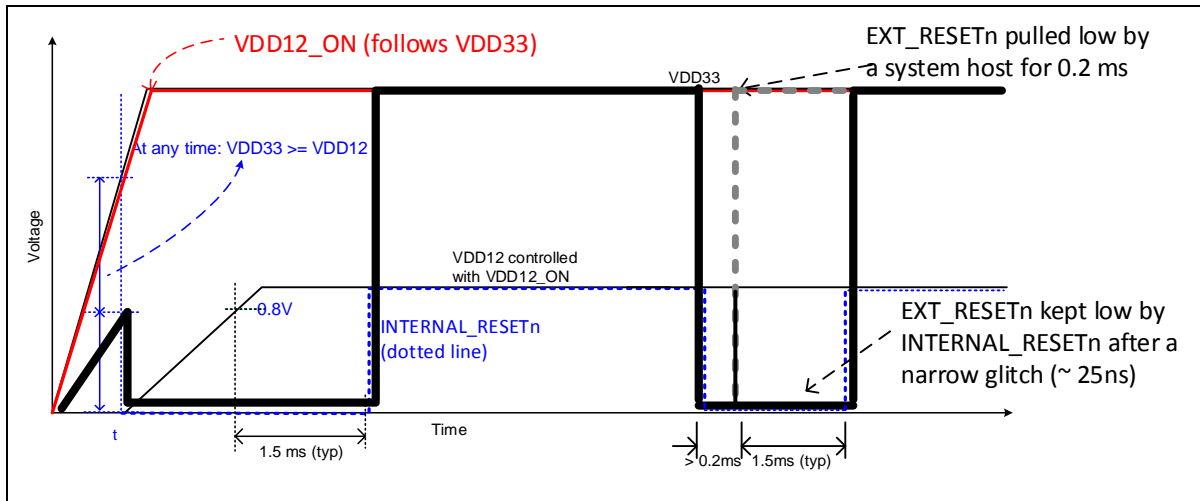
The MCDP2900 supports tunneling CEC commands as defined in the DP1.4 specifications. In addition, CEC snooping and multiple logical address capability are supported. The CEC pin is connected to a 3.3 V open drain pad. No more than 10 μ A of pad current is drawn while the chip is powered off.

4.3. Chip power-up sequence and reset

The figure below shows the power-up timing sequence requirements of the 3.3 V and 1.2 V power rails and the internal reset signal.

During rail power up, the voltage (pull-up resistor to 3.3 V supply) on EXT_RESETN pin is sensed by the internal Power-On Reset (POR) circuit to generate an internal reset pulse. Additionally, MCDP2900 also sets a VDD12ON signal that can be used to optionally control the external 1.2 V regulator that supplies the 1.2 V power rail. The internal reset pulse is low until both the 3.3 V and 1.2 V rails are stable. The internal reset pulse continues to stay low for at least 1 ms after the 1.2 V power rail reaches 0.8 V. During the device power up, the 3.3 V supply shall lead the 1.2 V supply ($VDD33 \geq VDD12$ for $t > 0$).

Figure 4. Power-up timing sequence



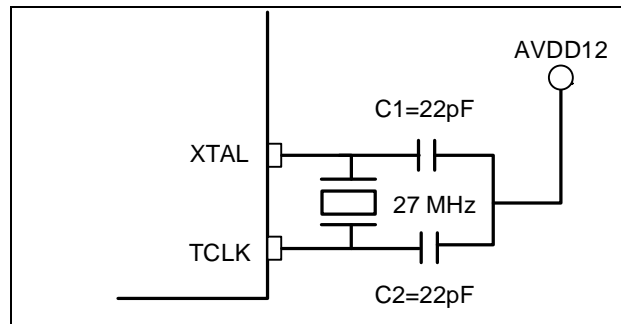
Any time a power supply glitch causes the power rails to fall below 2.7 V (for 3.3 V power rail) and below 0.8 V (for 1.2 V power rail), the internal reset signal drops and stays low for at least 1 ms after the 1.2 V power rail reaches 0.8 V again.

An external reset signal (active low) can be applied to the EXT_RESETN pin. This shall be driven by an Open-Drain Output.

4.4. Clock generation

The 27 MHz TCLK is the main timing clock for this device. All other internal clocks are generated from the TCLK. The internal TCLK oscillator generates TCLK when a crystal is attached as shown in the figure below.

Figure 5. Internal crystal oscillator operation



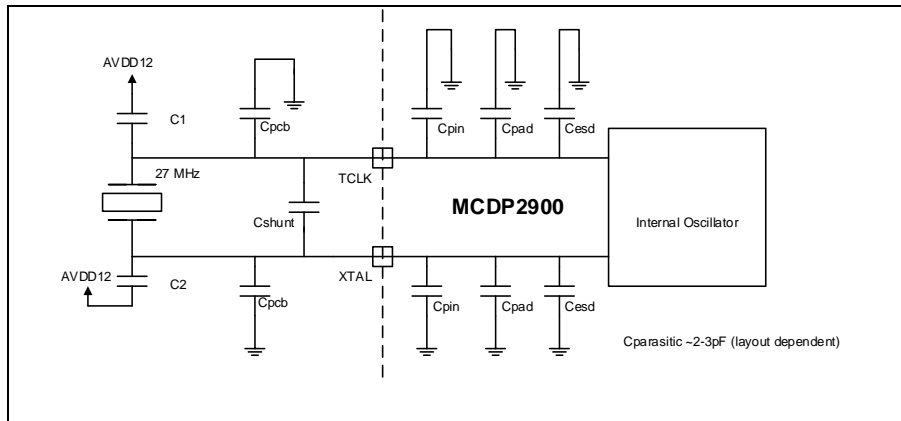
4.4.1. Internal crystal oscillator operation

A crystal is connected between the XTAL pin and the TCLK pin with the external capacitors (C1 and C2) to match the proper value of loading capacitance specified in crystal specification. The logic level on the SPI_CSN pin is latched during the de-asserting edge of the RESETN signal and provides the XTAL_OSC_SEL bootstrap signal. A '1' latched on this pin enables the crystal and internal oscillator. A '0' latched on this pin turns off the internal oscillator thus enables the use of an external oscillator on the TCLK pin.

Note: The value of C1 and C2 are determined based on the loading capacitance from the crystal specification and by compensating for the parasitic capacitance of the device and the printed circuit board traces. The external capacitors are terminated to the Analog 1V2 power supply. This connection increases the power supply rejection ratio when compared to terminating the loading capacitors to ground.

The external capacitors' value used with the crystal (shown below) is an important design parameter. The loading capacitance (Cload) on the crystal is the combination of C1 and C2 and is calculated by $C_{load} = \frac{(C1 * C2)}{(C1 + C2)} + C_{shunt} + C_{parasitic}$. The shunt capacitance Cshunt is the effective capacitance between the XTAL and TCLK pins. Refer to crystal specification for the proper Cshunt value. The Parasitic capacitance is the combination of the PCB board capacitance (Cpcb), the pin capacitance (Cpin), the pad capacitance (Cpad), and the ESD protection capacitance (Cesd). The overall parasitic capacitance is 2-3pF range for MCDP2900 design.

Figure 6. Parasitic capacitance sources



Note these details of the oscillator circuit when used with a crystal resonator:

- The PCB traces should be as short as possible.
- The crystal should be a parallel resonate-cut

4.4.2. Crystal specifications

While the selection of a crystal mainly depends on the specific PCB layout and the crystal manufacturer's specifications, the following are general recommendations.

Table 1. Crystal specifications

Parameters	Specifications
Frequency	27.000 MHz
Operation Mode	Fundamental
Operating Temperature	-10 °C to +70 °C
Frequency Tolerance @ 25°C	+/- 50 ppm max

5. Chip operation

5.1. Initial state

Upon power-up or after reset, the MCDP2900 executes a secure boot from IROM based firmware code. After initial system setup and configuration, the IROM firmware performs validation of the code image stored in the external SPI flash memory and copies this into internal memory. Upon successful validation, the code executes from the internal memory. For security reasons further access to the external SPI-Flash memory is blocked. If code image validation fails, execution from IROM continues in a tight loop until reset or power off.

5.2. Video pixel processing

MCDP2900 embeds a video pixel converter which is capable of color space conversion and horizontal and vertical chroma down sampling.

5.2.1. Color Space Converter

The Color Space Converter block receives 10 bits per component from the DPRX or on-chip video pattern generator, and outputs 12 bits per component.

12-bit output is 12.0, 10.2, or 8.4. The 12.0 bit data can be generated by the 3x3 matrix in the Color Space Converter block: 10 integer bits plus 2 zero-padding (or most significant 2 bits padding), or 8 integer bits plus 4 zero-padding bits. This block is controlled by vendor-specific DPCD registers.

5.2.2. Horizontal Chroma Down-Sampler

Horizontal Chroma Down-Sampler receives 12 bits per component from CSC block and outputs 12 bits per component. 12-bit output is 12.0, 10.2, or 8.4.

This block is controlled by Horizontal Chroma Down-Sampler control register at DPCD 0057Fh and DPCD 005ACh ~ 005B5h for 5-tap coefficients.

5.2.3. Vertical Chroma Down-Sampler

Vertical Chroma Down-Sampler receives 12 bits per component either from CSC block or from Horizontal Chroma Down-Sampler, and outputs 12 bits per component. 12-bit output is 12.0, 10.2, or 8.4.

This function is controlled by Vertical Chroma Down-Sampler control at DPCD 00580h, and DPCD 005B6h ~ 005BFh for 5-tap coefficients.

5.3. Power management

The MCDP2900 uses 3.3 V and 1.2 V power supplies. In a dongle application, MCDP2900 receives the 3.3V power supply from the DP source. The 1.2 V supply is generated from 3.3 V using an on-board 1.2 V (LDO or SMPS) regulator. In other applications the 3.3V and 1.2V are supplied by the on system PMIC. The DP source puts MCDP2900 into a low power state writing 02h to DPCD 00600h. An alternative connected standby power state can be activated when a DP source grants the extended DPRX sleep wakeup time out. In this power state, all internal PLL and clock sources are either turned off or run at a reduced frequency. Additionally, Analog blocks are also put to low power mode operation or disabled.

Table 2. MCDP2900 power saving states

Items	Sleep power state	Connected standby (CS) power state
Register setting		
EXTENDED_DPRX_SLEEP_WAKE_TIMEOUT_GRANT DPCD register setting (at DPCD Address 00119h)	00h	01h
Conditions in the power saving state		
Power consumption	20mW typical	4 mW typical
TCLK	Remains running	Disabled
DP_HPD	Remains asserted	Remains asserted
GPIO's	Retain states	Retain states
Registers	Retains states	Retain states
AUX request transaction	Monitored	Monitored
HDMI_HPD	Monitored	Monitored
CEC	Monitored	Monitored
Entry		
Trigger event	DPCD 00600h = 02h	DPCD 00600h = 02h

Items	Sleep power state	Connected standby (CS) power state
Exit events and ensuing actions		
AUX request transaction from a DP Source	Ready to reply in 1ms	Ready to reply within 10ms (time-out indicated at DPCD 02211h)
HDMI_HPD level change	Reports to a DP Source via IRQ_HPD in 1ms	Causes exit from CS, reports to a DP Source via IRQ_HPD in 2ms
CEC signal level change	Handles message and generates IRQ_HPD to a DP Source in 1ms	Causes exit from CS, handles message and generates IRQ_HPD to a DP Source in 2ms
EXT_RESETN pulse assertion and/or 1.2V and/or 3.3V power rail disruption	Results in chip reset	Results in chip reset

5.4. HDCP operation

The HDCP1.x TX and RX key sets are scrambled and stored in the on-chip OTP memory. Also HDCP2.2 data (RX private key, RX device certificate, and Ic128) are encrypted and stored in the on-chip OTP memory. The table below shows the HDCP operations of MCDP2900, based on the capabilities of an upstream DP source and a downstream HDMI sink. A DP source device shall not transmit a content type that the downstream HDMI devices are not qualified to receive. If the DP source does, the MCDP2900 blocks the stream retransmission. Instead MCDP2900 transmits a constant-pixel image as selected by a branch vendor-specific DPCD register with the video timing format from the DP source device. In case the DP source is transmitting an audio stream, MCDP2900 sets the AVMUTE bit in the General Control Packet (GCP) and stops the transmission of Audio Sample Packets.

As for the periodic Ri' (or RxStatus) read over an HDMI link, MCDP2900 uses by default a "long read". That is, I2C writes to set the offset followed by an I2C read to read the Ri' or RxStatus value in a single I2C

transaction having a RepeatedStart condition. A DP source device may prompt MCDP2900 to conduct a “short read” of Ri’ for the HDCP1.4 operation via branch vendor-specific DPCD register.

Table 3. HDCP operations of MCDP2900

DP source capability	HDMI downstream device capability	HDCP repeater operation	Notes
HDCP1.3 only	HDCP1.4 only	YES	
HDCP1.3 only	HDCP2.2	NO	A DP Source device shall not transmit “HDCP2.2 Type 1” content over a DP link with HDCP1.3 content protection
HDCP2.2	HDCP1.4 only	YES	MCDP2900 shall retransmit only HDCP2.2 Type 0 content; in case the DP Source transmits HDCP2.2 Type 1 content, MCDP2900 shall transmit a constant pixel image from its on-chip video pattern generator
HDCP2.2	HDCP2.2	YES	

If the HDCP link integrity failures with a downstream HDMI device persist, the CP_IRQ bit is set, and an IRQ_HPD pulse is generated to the DP source device to prompt an HDCP re-authentication.

Upon detecting a hot unplug/plug event of the downstream HDMI sink, IRQ_HPD is generated with the updated SINK_COUNT value at DPCD 00200h and HDCP re-authentication occurs.

5.5. CEC tunneling over AUX

MCDP2900 fully supports CEC tunneling-over-AUX, including snooping, multi-logical address, and HDMI_HPD monitoring features as described in Section 5.3.3.3.1 of the DP1.4 Specification.

In the CS power state, the chip continues to monitor CEC signal activity and exits the CS power state upon the detection of a signal transition. However, the first block (which is a Header Block) that causes the CS exit can be missed. If the CEC message that causes the CS exit has the CEC logical address corresponding to one of the CEC Logical Address Mask values, the initiator of the CEC message is required to retry as per HDMI CEC Specification.

6. System interface

The MCDP2900 has the following system interfaces:

- I2C slave interface
- SPI interface
- UART interface

6.1. I2C interface

The I2C slave interface is intended for an external host controller to configure the MCDP2900 registers in certain use cases as needed. For example in a type-C docking station the host controller may use this interface to check the MCDP2900 power-ON status and for downloading firmware etc. However, this interface is not enabled in the current application firmware.

6.2. SPI interface

The MCDP2900 has an SPI interface for connecting external program flash memory (SPI Flash device). The maximum clock rate for the SPI interface is 50 MHz. The required SPI Flash ROM size is 8 MBits for storing the application firmware code image with dual-bank option for fail-safe. The SPI flash is programmed via the DisplayPort AUX interface. MegaChips provides the In-system-Programming (ISP) tool and the driver for programming the SPI flash ROM. Contact MegaChips for the list of SPI flash devices supported in the ISP driver. The SPI interface between MCDP2900 and a serial flash ROM is as follows. All signals of the SPI interface are LVTTTL (3.3 V):

- SPI_CSN: SPI chip select, connect to CE# of SPI flash ROM
- SPI_WP: SPI write protect, connect to WP# of SPI flash ROM
- SPI_DO: SPI data output from MCDP29x0, connect to SPI_DI of SPI flash ROM
- SPI_DI: SPI data input to MCDP29x0, connect to SPI_DO of SPI flash ROM
- SPI_CLK: SPI clock signal, connect to SPI_SCK of the SPI flash ROM

6.3. UART interface

The UART interface is used only during product development for firmware programming, testing, and debugging purpose. For security reasons, the UART interface is blocked in the production version of the silicon. All UART signals are LVTTTL (3.3 V) level. The UART interface supports a maximum baud rate of 115k-baud.

6.4. GPIO interface

The GPIO interface consists of 4 pins (GPIO1_33, GPIO2_33, I2C_SDA, I2C_SCL) which may be configured and used by application firmware.

6.5. Locking of system interfaces

MCDP2900 hardware locks the UART interface for enhanced security. Also the SPI interface is locked after successful completion of the secure boot up.

6.6. Development Parts with FX marking

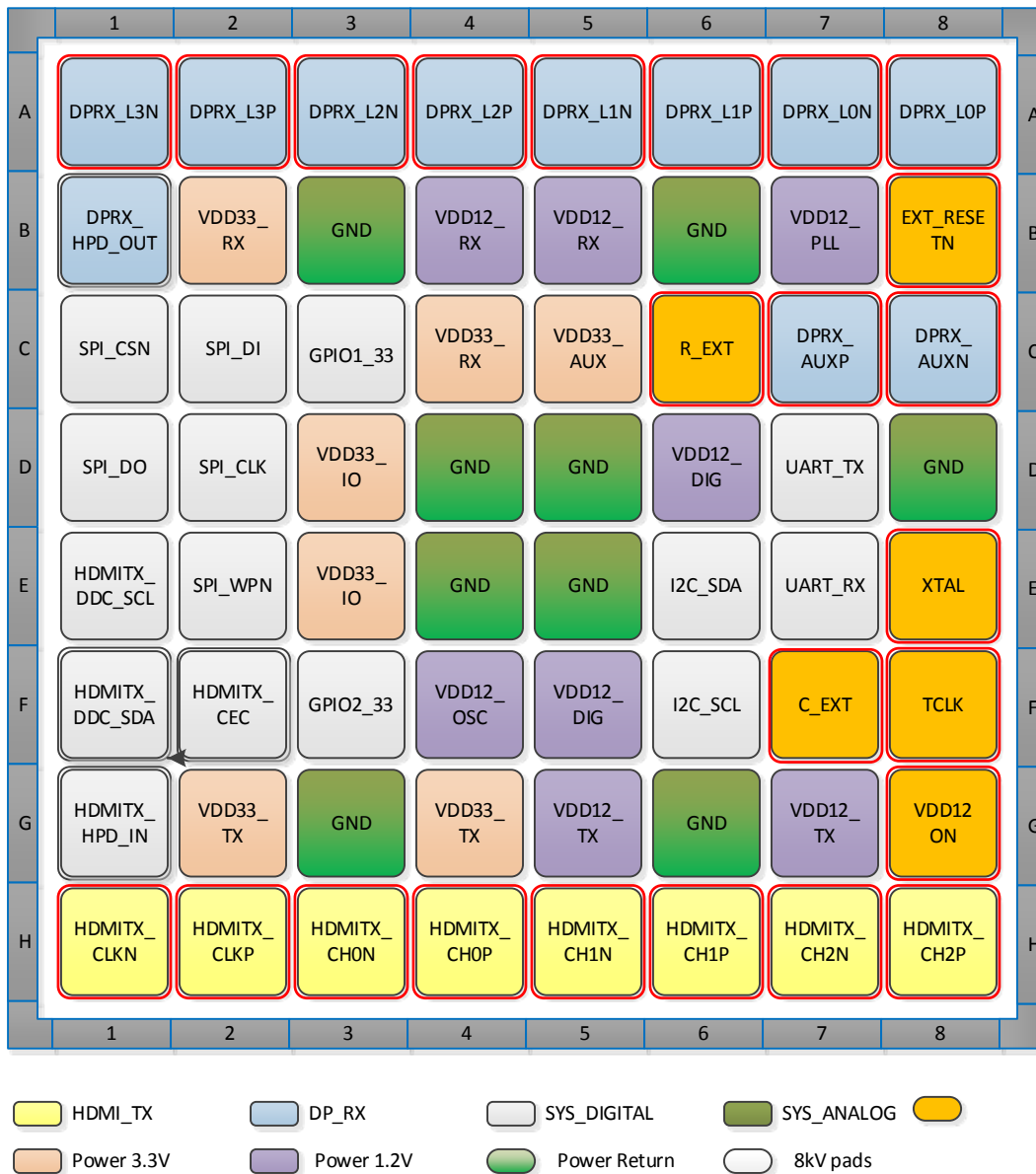
A special type of MCDP2900 FX is available for development purposes. These parts are programmed with HDCP facsimile keys and have none of the interfaces locked.

7. BGA footprints and pin list

The ball grid array (BGA) diagrams give the allocation of pins to the package, shown from the top looking down using the PCB footprint.

Some signal names in BGA diagrams have been abbreviated. Refer to the pin list for full signal names sorted by pin number.

Figure 7. MCDP2900 BGA diagram



Reference: bobcat_pinlist_ballmap.xlsx revision 1r5 dated June 3, 2013

7.1. Signal mapping sorted by ball (pin) number

Table 4. Pin list

Pin number	Net name
A1	DPRX_L3N
A2	DPRX_L3P
A3	DPRX_L2N
A4	DPRX_L2P
A5	DPRX_L1N
A6	DPRX_L1P
A7	DPRX_L0N
A8	DPRX_L0P
B1	DPRX_HPDP_OUT
B2	VDD33_RX
B3	GND
B4	VDD12_RX
B5	VDD12_RX
B6	GND
B7	VDD12_PLL
B8	EXT_RESETP
C1	SPI_CSN
C2	SPI_DI
C3	GPIO1_33
C4	VDD33_RX
C5	VDD33_AUX

Pin number	Net name
C6	R_EXT
C7	DPRX_AUXP
C8	DPRX_AUXN
D1	SPI_DO
D2	SPI_CLK
D3	VDD33_IO
D4	GND
D5	GND
D6	VDD12_DIG
D7	UART_TX
D8	GND
E1	HDMITX_DDC_SCL
E2	SPI_WPN
E3	VDD33_IO
E4	GND
E5	GND
E6	I2C_SDA
E7	UART_RX
E8	XTAL
F1	HDMITX_DDC_SDA
F2	HDMITX_CEC
F3	GPIO2_33
F4	VDD12_OSC

Pin number	Net name
F5	VDD12_DIG
F6	I2C_SCL
F7	C_EXT
F8	TCLK
G1	HDMITX_HPDI_IN
G2	VDD33_TX
G3	GND
G4	VDD33_TX
G5	VDD12_TX
G6	GND
G7	VDD12_TX
G8	VDD12ON
H1	HDMITX_CLKN
H2	HDMITX_CLKP
H3	HDMITX_CH0N
H4	HDMITX_CH0P
H5	HDMITX_CH1N
H6	HDMITX_CH1P
H7	HDMITX_CH2N
H8	HDMITX_CH2P

8. Connections

8.1. Pin list

I/O Legend: I = Input; O = Output; P = Power; G = Ground; I/O = Bi-direction; AI = Analog Input

Note: Some pins can have multiple functionalities, which are configured under register control. The alternate functionality for each pin is listed in the Description column.

Table 5. DisplayPort receiver pins

Pin	Assignment	I/O	VDD Domain	Description
A1	DPRX_L3N	I	1.2V	DisplayPort receiver main link Lane 3 negative analog input. Main Link receiver pins (DPRX_LxN or DPRX_LxP where N = 0 ~ 3) and AUX CH pins of MCDP2900 are internally terminated to 1.2V power rail. Therefore external AC-coupling capacitors are required for DPRX Main Link and AUX CH pins.
A2	DPRX_L3P	I	1.2V	DisplayPort receiver main link Lane 3 positive analog input.
A3	DPRX_L2N	I	1.2V	DisplayPort receiver main link Lane 2 negative analog input.
A4	DPRX_L2P	I	1.2V	DisplayPort receiver main link Lane 2 positive analog input.
A5	DPRX_L1N	I	1.2V	DisplayPort receiver main link Lane 1 negative analog input.
A6	DPRX_L1P	I	1.2V	DisplayPort receiver main link Lane 1 positive analog input.
A7	DPRX_L0N	I	1.2V	DisplayPort receiver main link Lane 0 negative analog input.
A8	DPRX_L0P	I	1.2V	DisplayPort receiver main link Lane 0 positive analog input.
C7	DPRX_AUXP	I/O	3.3V	DisplayPort receiver auxiliary channel positive analog input/output.
C8	DPRX_AUXN	I/O	3.3V	DisplayPort receiver auxiliary channel negative analog input/output.
B1	DPRX_HPD_OUT	O	3.3V	To the upstream HPD signal pin (DP source), to be externally pulled down (100K Ω).
C6	R_EXT	I/O	1.2V	Termination calibration reference resistor; 249 Ω 1% resistor must be connected from this pin to VDD12_RX.

Table 6. HDMI output pins

Pin	Assignment	I/O	VDD Domain	Description
H1	HDMITX_CLKN	O	3.3V	HDMI transmitter CLOCK_N to TX connector.
H2	HDMITX_CLKP	O	3.3V	HDMI transmitter CLOCK_P to TX connector.
H3	HDMITX_CH0N	O	3.3V	HDMI transmitter DATA0_N to TX connector.
H4	HDMITX_CH0P	O	3.3V	HDMI transmitter DATA0_P to TX connector.
H5	HDMITX_CH1N	O	3.3V	HDMI transmitter DATA1_N to TX connector.
H6	HDMITX_CH1P	O	3.3V	HDMI transmitter DATA1_P to TX connector.
H7	HDMITX_CH2N	O	3.3V	HDMI transmitter DATA2_N to TX connector.
H8	HDMITX_CH2P	O	3.3V	HDMI transmitter DATA2_P to TX connector.
E1	HDMI_DDC_SCL	O	3.3V, 5V TOL	HDMI TX DDC I2C master SCL. 3.3 V logic level, 5 V tolerant. Open drain, to be externally pulled up to DDC5V via a 1.5K ~ 2.2K Ω resistor.
F1	HDMI_DDC_SDA	I/O	3.3V, 5V TOL	HDMI TX DDC I2C master SDA. 3.3 V logic level, 5 V tolerant. Open drain, to be externally pulled up to DDC5V via a 1.5K ~ 2.2K Ω resistor.
F2	HDMITX_CEC	I/O	3.3V, 5V TOL	CEC input. 3.3 V open drain IO. Connect to HDMI CEC pin, to be externally pulled up to 3.3 V via 27K Ω resistor as per HDMI1.4b specification. Use weak external pull up or pull down (recommended 100K Ω) when CEC is not used.
G1	HDMITX_HDP_IN	I	3.3V, 5V TOL	3.3 V logic level, 5 V tolerant input from HDMI connector. To be externally pulled down via 20K Ω resistor.

Note: HDMI TX output is terminated at the receiver through a 50 ohm resistor.

Table 7. System interface pins

Pin	Assignment	I/O	VDD Domain	Reset State	Description
B8	EXT_RESETN	I	3.3 V	Input	Power-ON chip reset (active low) input signal, to be pulled up to 3.3V power rail via 2.2K Ω +/- 10% resistor as shown in Figure 8.
E8	XTAL	I/O	1.2V	NA	Connect to 27MHz crystal with 22pF to VDD12_OSC as shown in figure 5.
F8	TCLK	I/O	1.2V	NA	Connect to 27 MHz crystal with 22pF to VDD12_OSC as shown in Figure 5.
F7	C_EXT	O	3.3V	NA	Capacitor for filtering internal 2.5V LDOR. Connect to GND through 2.2uF capacitor.
G8	VDD12ON	O	3.3 V	Logic 1, output	1.2V power control signal. Reset State definition assumes 3.3V rail is ramped up to full voltage. Can be left NC.
E6	I2C_SDA	IO	3.3 V	Input, Internal PU	Host I2C interface data line up to 400kbps. Programmable Slew Rate and Drive Strength when this is being used as a GPIO.
F6	I2C_SCL	I	3.3 V	Input, internal PU	Host I2C interface clock line up to 400 kbps. Programmable Slew Rate and Drive Strength when this is being used as a GPIO.
C3	GPIO1_33	IO	3.3 V	Input, Internal PD	3.3V General purpose input/output with programmable slew rate and drive control. Internal PD 50K Ohm.
F3	GPIO2_33	I/O	3.3V	Input, internal PD	3.3V General purpose input/output with programmable slew rate and drive control. Internal PD 50K Ohm.
C1	SPI_CSN	O	3.3 V	Input, Internal PU	Serial peripheral interface chip select. Programmable Slew Rate and Drive Strength.
C2	SPI_DI	I	3.3 V	Input, Internal PD	Serial peripheral interface data input.
D1	SPI_DO	O	3.3 V	Input, Internal PD	Serial peripheral interface data output. Programmable Slew Rate and Drive Strength.
D2	SPI_CLK	O	3.3 V	Input, Internal PD	Serial peripheral interface clock. Programmable Slew Rate and Drive Strength.
E2	SPI_WPN	O	3.3 V	Input, Internal PU	Serial peripheral interface write protect. Programmable Slew Rate and Drive Strength.
D7	UART_TX	O	3.3 V	Input, Internal PU	Universal asynchronous serial Tx output. Programmable Slew Rate and Drive Strength.

Pin	Assignment	I/O	VDD Domain	Reset State	Description
E7	UART_RX	I	3.3 V	Input, Internal PU	Universal asynchronous serial Rx input. Internal PU can be changed to Internal PD by register program.

Table 8. Power and ground pins

Pin	Assignment	Voltage Level	Description
B2, C4	VDD33_RX	3.3 V	DisplayPort RX analog power
B4, B5	VDD12_RX	1.2 V	DisplayPort RX analog power
C5	VDD33_AUX	3.3 V	DisplayPort AUX power
B7	VDD12_PLL	1.2 V	PLL analog power
F4	VDD12_OSC	1.2 V	Oscillator circuit power
G2, G4	VDD33_TX	3.3 V	HDMI TX analog power
G5, G7	VDD12_TX	1.2 V	HDMI TX analog power
D6, F5	VDD12_DIG	1.2 V	Core and 1.2V IO power
D3, E3	VDD33_IO	3.3 V	3.3V IO power
B3, B6, D4, D5, E4, E5, G3, G6, D8	GND	GND	Power return for all supplies

8.2. Bootstrap configuration

DC levels on the bootstrap pins shown below are latched during the de-asserting edge of power-on reset (EXT_RESETN goes HIGH). The levels specified below must be adhered to for the normal function of the device.

Table 9. Bootstrap configuration

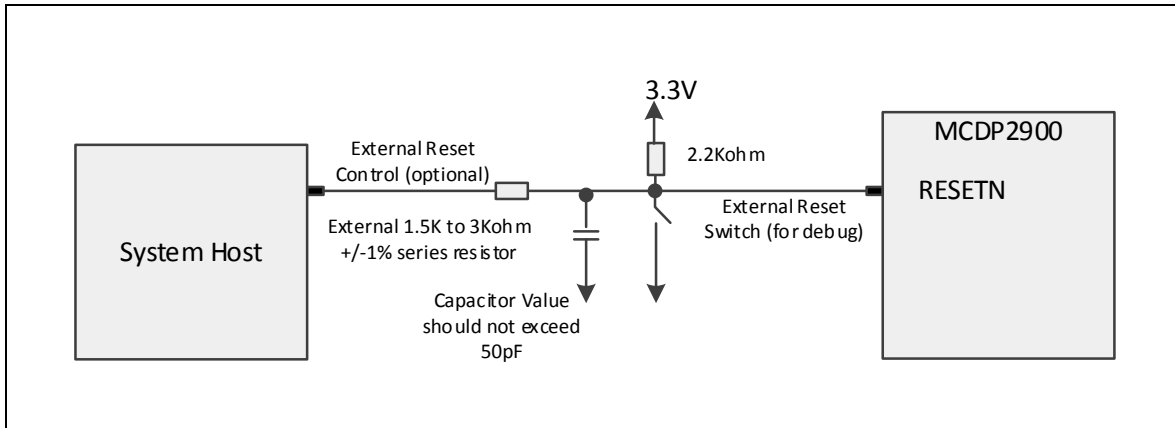
Bootstrap signal name	Internal PU/PD	Assignment	Function
Bootstrap '0'	PULLUP	UART_TX (D7)	RESERVED. Leave as NC.
Bootstrap '1'	PULLUP	SPI_WPN (E2)	RESERVED. Leave as NC.
Bootstrap '2'	PULLDN	SPI_CLK (D2)	RESERVED. Leave as NC.
Bootstrap '3'	PULLDN	SPI_DO (D1)	RESERVED. Leave as NC.
Bootstrap '4'	PULLUP	SPI_CSN (C1)	RESERVED. Leave as NC.
Bootstrap '5'	PULLDN	GPIO1_33 (C3)	Can be used for customized application configuration.
Bootstrap '6'	PULLDN	GPIO2_33 (F3)	Can be used for customized application configuration.

Note: When the pin corresponding to a specific bootstrap is left NC, the pin takes the value of the assigned by the internal PULLUP (Level 1) or PULLDN (Level 0). The internal resistor used is around 50 k Ω . To select a non-default value on a bootstrap, an external PULLUP or PULLDN resistor tied to the opposite direction that overcomes the internal PULLUP or PULLDN needs to be used.

8.3. EXT_RESETN connection

The EXT_RESETN pin must be pulled up to 3.3 V via a 2.2 Kohm +/- 10% resistor as shown below. The chip also supports an active low, external reset pulse to EXT_RESETN allowing a system host controller to reset the system. The recommended way to drive EXT_RESETN is through an open-drain output. Alternately, if an open-drain output is not available, the series resistor shown in the figure below is required.

Figure 8. EXT_RESETN Connection to MCDP2900

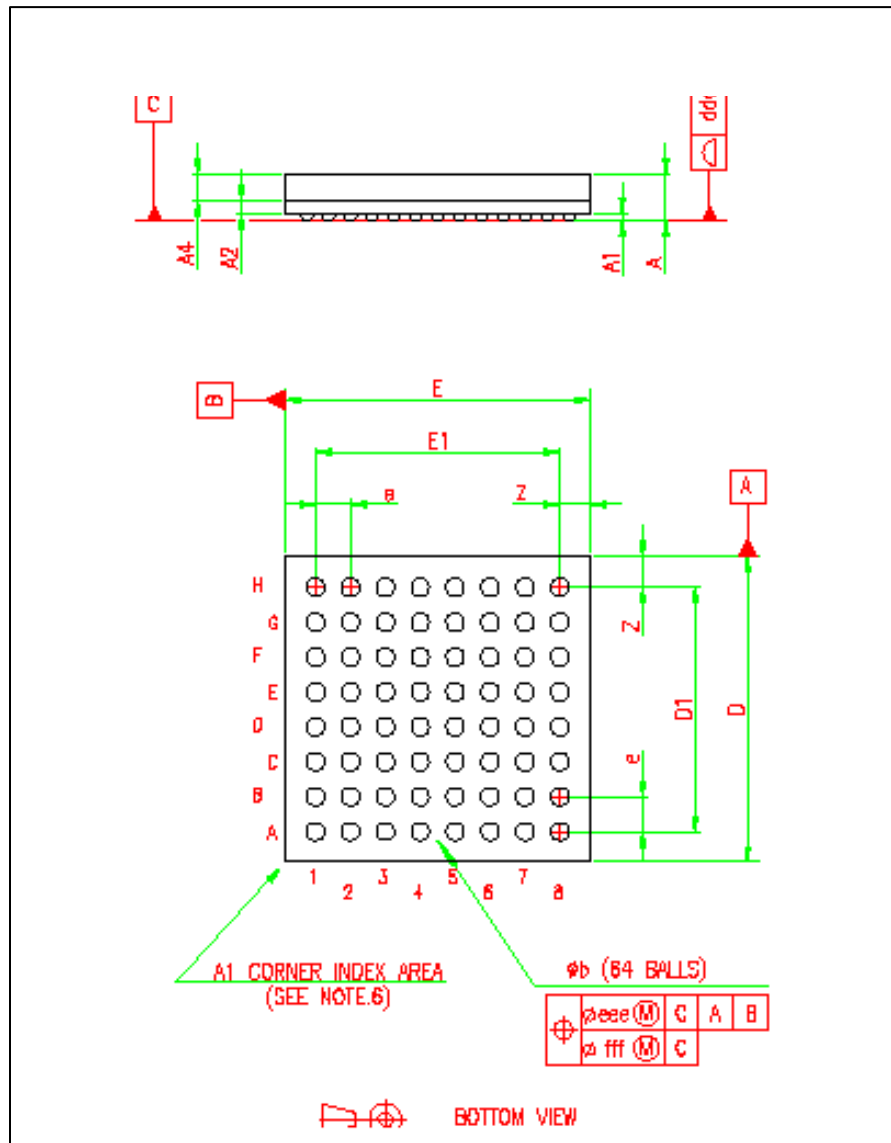


9. Package

Package type: LFBGA (7x7x1.4 mm, 64, F8x8, Pitch 0.8, Ball 0.4)

9.1. Package drawing

Figure 9. MCDP2900 package drawing



9.2. LFBGA 7 x 7 dimensions

Table 10. MCDP2900 package dimensions

DIMENSIONS							
REF.	DATABOOK (mm)			DRAWING (mm)			NOTES
	MIN.	TYP.	MAX.	MIN.	TYP.	MAX.	
A			1.4			1.24	(1)
A1	0.25			0.25	0.30	0.35	
A2		0.29		0.24	0.28	0.32	
A4			0.60	0.57	0.585	0.60	
b	0.35	0.40	0.45	0.35	0.40	0.45	(2)
D	6.95	7.00	7.05	6.95	7.00	7.05	
D1		5.60			5.60		
E	6.95	7.00	7.05	6.95	7.00	7.05	
E1		5.60			5.60		
e		0.80			0.80		
Z		0.70			0.70		
ddd			0.08			0.08	
eee			0.09			0.09	(4)
fff			0.05			0.05	(5)

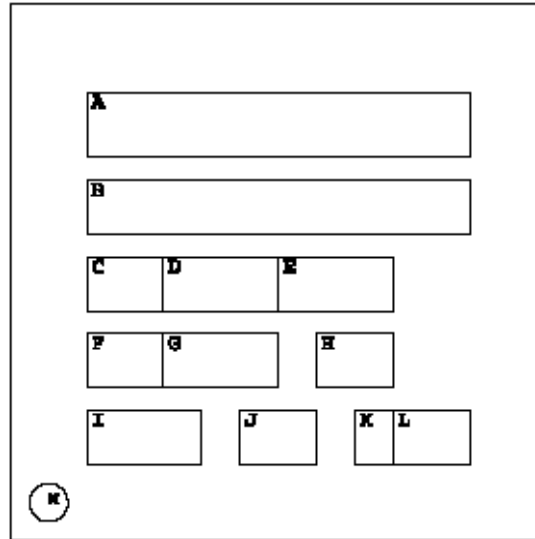
NOTES:

- (1) - LFBGA stands for Low profile Fine Pitch Ball Grid Array.
 - Thin profile: 1.00mm < A ≤ 1.20mm / Fine pitch: e < 1.00mm pitch.
 - The total profile height (Dim A) is measured from the seating plane to the top of the component
 - The maximum total package height is calculated by the following methodology:
 $A_{Max} = A1_{Typ} + A2_{Typ} + A4_{Typ} + \sqrt{A1^2 + A2^2 + A4^2}$ tolerance values
- (2) - The typical ball diameter before mounting is 0.40mm.
- (3) - LFBGA with 0.40mm pitch is not yet registered into JEDEC Publications.
- (4) - The tolerance of position that controls the location of the pattern of balls with respect to datums A and B. For each ball there is a cylindrical tolerance zone eee perpendicular to datum C and located on true position with respect to datums A and B as defined by e. The axis perpendicular to datum C of each ball must lie within this tolerance zone.
- (5) - The tolerance of position that controls the location of the balls within the matrix with respect to each other. For each ball there is a cylindrical tolerance zone fff perpendicular to datum C and located on true position as defined by e. The axis perpendicular to datum C of each ball must lie within this tolerance zone. Each tolerance zone fff in the array is contained entirely in the respective zone eee above. The axis of each ball must lie simultaneously in both tolerance zones.
- (6) - The terminal A1 corner must be identified on the top surface by using a corner chamfer, ink or metallized markings, or other feature of package body or integral heatslug.
 - A distinguishing feature is allowable on the bottom surface of the package to identify the terminal A1 corner. Exact shape of each corner is optional.

9.4. Marking field template and descriptors

The MCDP2900 marking template is shown below:

Figure 10. Marking template



Field descriptors are shown below.

Table 11. Field descriptors

Field	Description	Marking
A	Standard MegaChips logo	MegaChips
B	Product code	MCDP2900A2
C	2-character diffusion plant code	VQ
D	3-digit wafer start date	“YWW”
E	3-character FE sequence code	“ABC”
F	2-character assembly plant code	99
G	3-character BE sequence code	“XYZ”
H	Optional marking	FX or <blank>
I	3-character country of origin code	MYS
J	2-character test plant code	8U
K	1-digit assembly year	“Y”
L	2-digit assembly week	“WW”
M	Ball A1 identifier	a DOT

9.5. Classification reflow profile

Please refer to the DisplayPort Application Note: Classification reflow profile for SMD devices (C0353-APN-06) for reflow diagram and details.

10. Electrical specifications

10.1. Absolute maximum ratings

Applied conditions greater than those listed under “Absolute maximum ratings”, may cause permanent damage to the device. The device should never exceed absolute maximum conditions since it may affect device reliability.

Table 12. Absolute maximum ratings

Parameter	Symbol	Min	Typ	Max	Units
3.3 V supply voltages ^(1,2)	V _{VDD_3.3}	-0.3	3.3	3.96	V
1.2 V supply voltages ^(1,2)	V _{VDD_1.2}	-0.3	1.2	1.44	V
Input voltage tolerance for 3.3 V, 5 V tolerant I/O pins	V _{IN5tol}	-0.3		5.5	V
Input voltage tolerance for 3.3 V I/O pins	V _{IN3V3}	-0.3		3.75	V
ESD – Human Body Model (HBM) [JESD22-A114 spec] For all pins	V _{ESD}	-	-	+/- 2.0	kV
ESD – Human Body Model (HBM) [IEC61000-4 spec] For DP and HDMI connector-facing pins	V _{ESD}	-	-	+/- 6.5	kV
ESD – Charged Device Model (CDM) [JESD22-C101 spec]	V _{ESD}	-	-	+/- 500	V
Latch-up [JESD78 spec]	I _{LA}	-	-	+/- 100	mA
Ambient operating temperature	T _A	0	-	70	°C
Storage temperature	T _{STG}	-40	-	150	°C
Operating junction temperature	T _J	0	75	125	°C
Thermal resistance (Junction to Ambient) ⁽³⁾	θ _{JA}	-	-	37.6	°C/W
Thermal resistance (Junction to Case) ⁽³⁾	θ _{JC}	-	-	18.8	°C/W
Peak IR reflow soldering temperature	T _{SOL}	-	-	260	°C

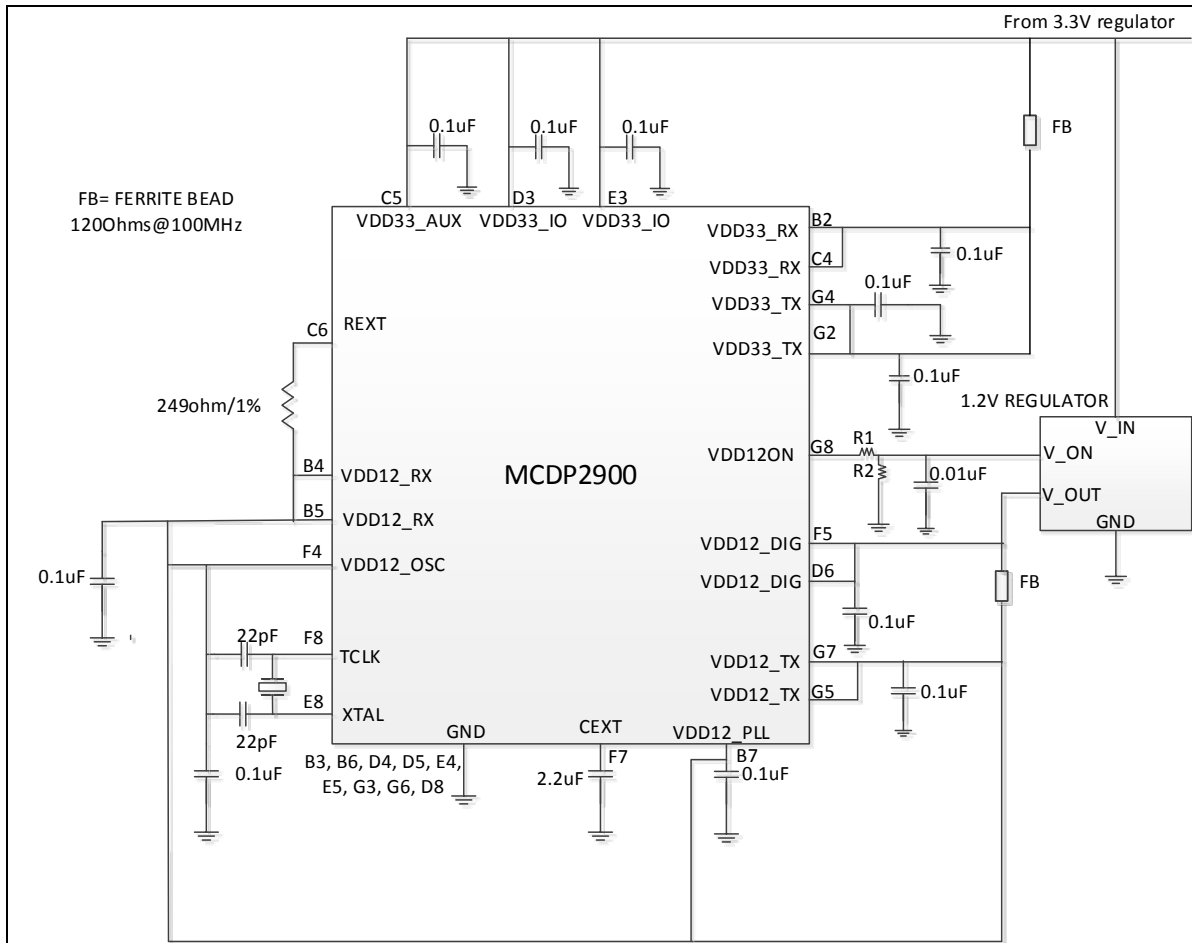
Note 1: All voltages are measured with respect to GND.

Note 2: Absolute maximum voltage ranges are for transient voltage excursions.

Note 3: These are simulated results under the following conditions – Four layer JEDEC PCB, no heat spreader, Air flow = 0 m/s.

10.2. Power connections

Figure 11. Recommended Power supply connections for MCDP2900



10.3. DC characteristics

Table 13. DC characteristics

Parameter	Symbol	Min	Typ	Max	Units
3.3 V supply voltages (analog and digital)	V _{VDD_1.8}	3.14	3.3	3.47	V
1.2 V supply voltages (analog and digital)	V _{VDD_1.2}	1.14	1.2	1.26	V
Power					
Protocol converter Mode Measurement condition: Nominal corner, 25°C, Nominal power supply 4k x 2k / 60 Hz 4L HBR2-to-HDMI test pattern: ON-OFF			482	570	mW
4k x 2k / 30 Hz 4L HBR2-to-HDMI test pattern: ON-OFF			413	480	mW
1920 x 1080 / 60 Hz 4L HBR2-to-HDMI test pattern: ON-OFF			380	440	mW
Sleep			11		mW
Connected Standby			4		mW
Supply Current					
Measurement conditions: Nominal corner, 25°C, Nominal power supply 4k x 2k @60 MHz 4L HBR to HDMI2.0a VDD (analog and digital) 3.3V VDD (analog and digital) 1.2V			25 332	27 390	mA

Note: Ripple amplitude for power supplies should be 30 mV or lower with max ripple freq up to 30 MHz.

Table 14. IO DC characteristics

Parameter	Symbol	Min	Typ	Max	Unit
Inputs 3.3 V IO signals, 5 V tolerant open drain type					
High voltage	V_{IH}	2.0		5.5	V
Low voltage	V_{IL}	-0.3		0.8	V
Input Hysteresis voltage	V_{HYST}	300			mV
High current ($V_{IN} = 3.3$ V)	I_{IH}			+/- 10	μ A
Low current ($V_{IN} = 0.8$ V)	I_{IL}			+/- 10	μ A
Input capacitance	C_{IN}		5		pF
Outputs 3.3 V IO signals, 5 V tolerant open drain type					
Low Current ($V_{OL} = 0.2$ V)	I_{OL}	4			mA
Tri-state leakage current	I_{OZ}			10	μ A
VDD120N Output					
Output Low Voltage ($I_{OL}=0.25$ mA)	V_{OL}			0.4	V
Output High Voltage($I_{OH}=0.25$ mA)	V_{OH}	2.9			V
Low Level output Current	I_{OL}	0.25			
High Level Output Current	I_{OH}	0.25			
Inputs 3.3 V IO signals, 3.3 V tolerant, TRISTATE					
High voltage	V_{IH}	2.0			V
Low voltage	V_{IL}			0.8	V
Input Hysteresis voltage	V_{HYST}	300			mV
High current ($V_{IN} = 3.3$ V)	I_{IH}			± 10	μ A
Low current ($V_{IN} = 0.8$ V)	I_{IL}			± 10	μ A
Input capacitance	C_{IN}		1.0		pF
Outputs 3.3 V IO signals, 3.3 V tolerant, TRISTATE					
Output Impedance, $V_{OL}=0.3$ V	R_{out}		50		Ω
Tri-state leakage current	I_{OZ}			± 10	mA

10.4. AC characteristics

Table 15. Maximum speed of operation

Clock domain	Max speed of operation
Reference Input Clock (TCLK)	27 MHz
Reference Internal Clock (RCLK)	324 MHz
On-Chip Microcontroller Clock (OCLK)	150 MHz
2-Wire Serial Slave (SLAVE_SCL)	400 kHz
DDC Master (MSTRx_SCL)	400 kHz
SPI Clock	50 MHz

10.4.1. DisplayPort receiver

Table 15. DisplayPort receiver characteristics

Parameter	Symbol	Min	Typ	Max	Units	Comments
Receiver operating range						
Differential Input Voltage Range	$V_{RX_DIF_PP_RANGE}$		0.04~1		V	
RX Termination Control Range	$R_{RX_TERM_RANGE}$		80 ~120		ohm	
DisplayPort receiver system parameters						
HBR2 unit interval (5.4Gbps)	UI_{HBR2}		185		ps	
HBR unit interval (2.7Gbps)	UI_{HBR}		370		ps	
RBR unit interval (1.62Gbps)	UI_{RBR}		617		ps	
Link clock down spreading		0		0.5	%	Modulation frequency range Of 30 kHz to 33 kHz
DisplayPort receiver TP3 parameters						
Receiver Eye TP3 RBR	$T_{RBR_EYE_TP3}$	0.25			UI	@ 40mV V_{diff_pp}
Receiver Eye TP3_EQ HBR	$T_{HBR_EYE_TP3EQ}$	0.4			UI	@ 135mV V_{diff_pp}
Receiver Eye TP3_EQ HBR2	$T_{HBR2_EYE_TP3EQ}$	0.3			UI	@ 70mV V_{diff_pp}
Lane intra-pair skew tolerance	$T_{SKEW_INTRA_RBR}$			260	ps	Skew contribution from the cable in addition to the stressed EYE at TP3.
	$T_{SKEW_INTRA_HBR}$			60	ps	
	$T_{SKEW_INTRA_HBR2}$			50	ps	

Parameter	Symbol	Min	Typ	Max	Units	Comments
Target bit error rate 10^{-9}						
Non-ISI at 1.62 Gbps	$T_{RX_Non-ISI_RBR}$			0.180	UI	1.62Gbps signal @ TP3
TJ at 1.62 Gbps	$T_{RX_TJ_RBR}$			0.750	UI	1.62Gbps signal @ TP3
Non-ISI at 2.7 Gbps	$T_{RX_Non-ISI_HBR}$			0.330	UI	2.7Gbps signal @ TP3_EQ
TJ at 2.7 Gbps	$T_{RX_TJ_HBR}$			0.491	UI	2.7 Gbps signal @ TP3_EQ
DJ at 5.4 Gbps	$T_{RX_DJ_HBR2}$			0.49	UI	5.4 Gbps signal @ TP3_EQ
TJ at 5.4 Gbps	$T_{RX_TJ_HBR2}$			0.62	UI	5.4 Gbps signal @ TP3_EQ
AUX parameters						
Differential Input Voltage Range	$V_{AUX_RX_DIF_RANGE}$		0.14~1		V	
RX Termination Control Range	$R_{AUX_TERM_RANGE}$		40~60		ohms	
AUX TX peak-peak Range	$V_{AUX_TX_DIF_PP}$		0~1		V	7.8125mV/step in 128 steps

10.4.2. HDMI transmitter I/O specifications

Table 16. HDMI transmitter DC specifications

Parameters	Symbol	Min	Typ	Max	Unit	Comments
Differential output: single ended swing amplitude	V_{TX_PP}	0.4	0.5	0.6	V	
Differential output: Differential swing amplitude	$V_{TX_DIF_PP}$	0.8	1	1.2	V	
Differential high level output	$V_{TX_DIF_HIGH}$	3.12	3.3	3.49	V	
Differential low level output	$V_{TX_DIF_LOW}$	3.12		3.49	V	

Table 17. HDMI transmitter AC characteristics

Parameters	Symbol	Min	Typ	Max	Unit	Comments
TMD5 Character Clock	$f_{TX_CHR_CLK}$	25		600	MHz	Programmable
Differential Output Voltage	$V_{TX_DIF_PP}$	0		1200	mV	In 128 steps
TX Edge Rate	t_{TX_ER}	75		145	pS	1V $V_{TX_DIF_PP}$ and Preemphasis at 0dB in 8 steps
TX Pre-Emphasis Level	APREMPH	0		6	dB	1V $V_{TX_DIF_PP}$ in 16 steps
TX Termination Control Range	$R_{TX_TERM_RANGE}$	100		600	ohms	Programmable Termination
TX Jitter <1.65Gbps for Pattern D10.2	$T_{TX_J_D102_LF}$			60	pS	
TX Jitter <1.65Gbps for Pattern PRBS7	$T_{TX_J_PRBS7_LF}$			70	pS	
TX Jitter >1.65Gbps, < 3.4Gbps for Pattern D10.2	$T_{TX_J_D102_MF}$			35	pS	
TX Jitter >1.65Gbps, < 3.4Gbps for Pattern PRBS7	$T_{TX_J_PRBS7_MF}$			45	pS	
TX Jitter >3.4Gbps for Pattern D10.2	$T_{TX_J_D102_HF}$			30	pS	
TX Jitter >3.4Gbps for Pattern PRBS7	$T_{TX_J_PRBS7_HF}$			35	pS	

10.4.3. I2C interface timing

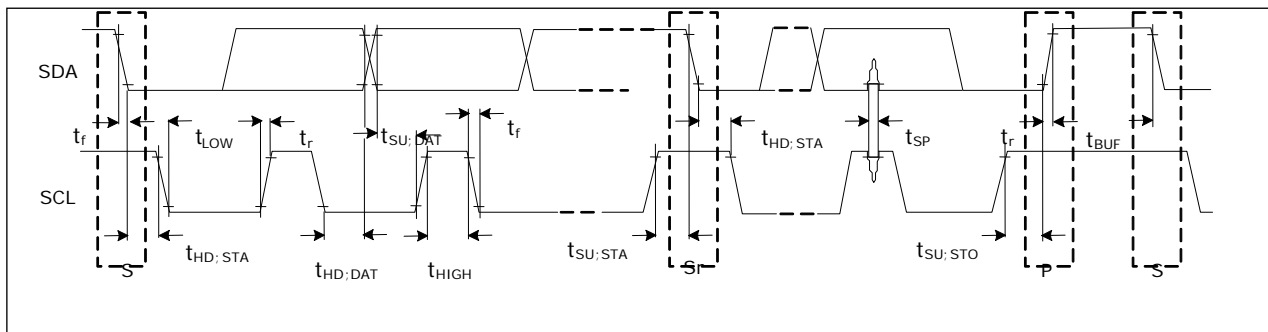
Table 18. I2C interface timing

Symbol	Parameter	Conditions	Min	Typ	Max	Unit
f_{SCL}	SCL clock rate	Fast mode	0	-	400	kHz
t_{HD_STA}	Hold time START	After this period, the 1 st clock starts	1.2	-	-	μ S
t_{LOW}	Low period of clock	SCL	1.3	-	-	μ S
t_{HIGH}	High period of clock	SCL	1.2	-	-	μ S
$T_{su,STA}$	Set up time for a repeated START		1.2	-	-	μ S
$t_{HD,DAT}$	Data hold time	For master	0.7	-	0.9 ⁽¹⁾	μ S
$t_{su,DAT}$	Data setup time		380	-	-	ns
T_{BUF}	Bus free time between STOP		1.3	-	-	μ S

Symbol	Parameter	Conditions	Min	Typ	Max	Unit
	and START					
C_b	Capacitance load for each bus line		-	100	400	pF
t_r	Rise time		220	-	300	ns
t_f	Fall time		60	-	300	ns
V_{nh}	Noise margin at high level		$0.25V_{DD}$	-	-	V
V_{nl}	Noise margin at low level		$0.2V_{DD}$	-	-	

Note 1: The maximum $t_{HD;DAT}$ only has to be met if the device does not stretch the low period t_{LOW} of the SCL signal. In the diagram below, S = start, P = stop, Sr = Repeated start, and SP = Repeated stop conditions.

Figure 12. I2C timing



10.4.4. SPI interface timing

The table below specifies the typical SPI_CLK output frequency and the minimum requirements of the interface between the SPI NOR Flash device and the MCDP2900 SPI interface.

Table 19. SPI interface timing

Symbol	Parameter	Min	Typ	Max	Units
F _{CLK}	SPI_CLK output clock frequency		50		MHz
T _{SCKH}	Serial clock high time		20		ns
T _{SCKL}	Serial clock low time		20		ns
T _{R_SPI_CLK}	SPI_CLK rise time @10mA drive 10pF load			2.8	ns
T _{F_SPI_CLK}	SPI_CLK fall time @10mA drive 10pF load			3.2	ns
T _{CSN_SU}	CSN output setup time requirement	7			ns
T _{CSN_HLD}	CSN output hold time requirement	7			ns
T _{DO_PD}	Data Output propagation delay			6	ns
T _{DI_SU}	Data Input setup time	3			ns
T _{DI_HLD}	Data Input hold time	5			ns

11. Ordering information

Table 20. Order codes

Part number	Description
MCDP2900A2	64 LFBGA (7x7x1.4 mm) in Tray
MCDP2900A2T	64 LFBGA (7x7x1.4 mm) in Tape & Reel
MCDP2900A2 FX	64 LFBGA (7x7x1.4 mm) in Tray

12. Revision history

Table 21. Document revision history

Date	Revision	Changes
26-MAY-2015	A	Initial version.
20-Nov-2015	B	Updated clock generation section and electrical specification section.
14-Apr-2016	C	Updated with changes throughout the datasheet. Added sleep and standby power numbers in to DC Characteristics.
29-Apr-2016	D	Updated Figure 11: Recommended Power supply connections for MCDP2900, Table 15: DP Receiver jitter parameters, and Table 19: SPI timing parameters.

Notice

Semiconductor products may possibly experience breakdown or malfunction. Adequate care should be taken with respect to the safety design of equipment in order to prevent the occurrence of human injury, fire or social loss in the event of breakdown or malfunction of semiconductor products

The overview of operations and illustration of applications described in this document indicate the conceptual method of use of the semiconductor product and do not guarantee operability in equipment in which the product is actually used.

The names of companies and trademarks stated in this document are registered trademarks of the relevant companies.

MegaChips Co. provides no guarantees nor grants any implementation rights with respect to industrial property rights, intellectual property rights and other such rights belonging to third parties or/and MegaChips Co. in the use of products and of technical information including information on the overview of operations and the circuit diagrams that are described in this document.

The product described in this document may possibly be considered goods or technology regulated by the Foreign Currency and Foreign Trade Control Law. In the event such law applies, export license will be required under said law when exporting the product. This regulation shall be valid in Japan domestic.

In the event the intention is to use the product described in this document in applications that require an extremely high standard of reliability such as nuclear systems, aerospace equipment or medical equipment for life support, please contact the sales department of MegaChips Co. in advance.

All information contained in this document is subject to change without notice.

Copyright © 2015 MegaChips Corporation All rights reserved

Contact

MegaChips Corporation

Head Quarters

1-1-1 Miyahara, Yodogawa-ku Osaka 532-0003, Japan
TEL: +81-6-6399-2884

MegaChips Corporation

Tokyo Office

17-6 Ichiban-cho, Chiyoda-ku, Tokyo 102-0082, Japan
TEL: +81-3-3512-5080

MegaChips Corporation

Makuhari Office

1-3 Nakase Mihama-ku Chiba 261-8501, Japan
TEL: +81-43-296-7414

MegaChips Corporation

San Jose Office

2033 Gateway Place, Suite 400, San Jose, CA 95110 U.S.A.
TEL: +1-408-570-0555

MegaChips Corporation

India Branch

17th Floor, Concorde Block UB City,
Vittal Mallya Road, Bangalore 560-001, India
TEL: +91-80-4041-3999

MegaChips Corporation

Taiwan Branch

RM. B 2F, Worldwide House, No.129,
Min Sheng E. Rd., Sec. 3, Taipei 105, Taiwan
TEL: +886-2-2547-1297

MegaChips Corporation

Tainan Office

RM. 2, 8F, No.24, Da Qiao 2 Rd., Yong Kang Dist.,
Tainan 710, Taiwan
TEL: +886-6-302-2898

MegaChips Corporation

Zhunan Office

No.118, Chung-Hua Rd., Chu-Nan, Miao-Li 350, Taiwan
TEL: +886-37-666-156

MegaChips Corporation

Shenzhen Office

Room 6307, Office Tower, Shun Hing Square, 5002
Shen Nan Dong Road, Luohu District,
Shenzhen 518000, P. R. China
TEL: +86-755-3664-6990