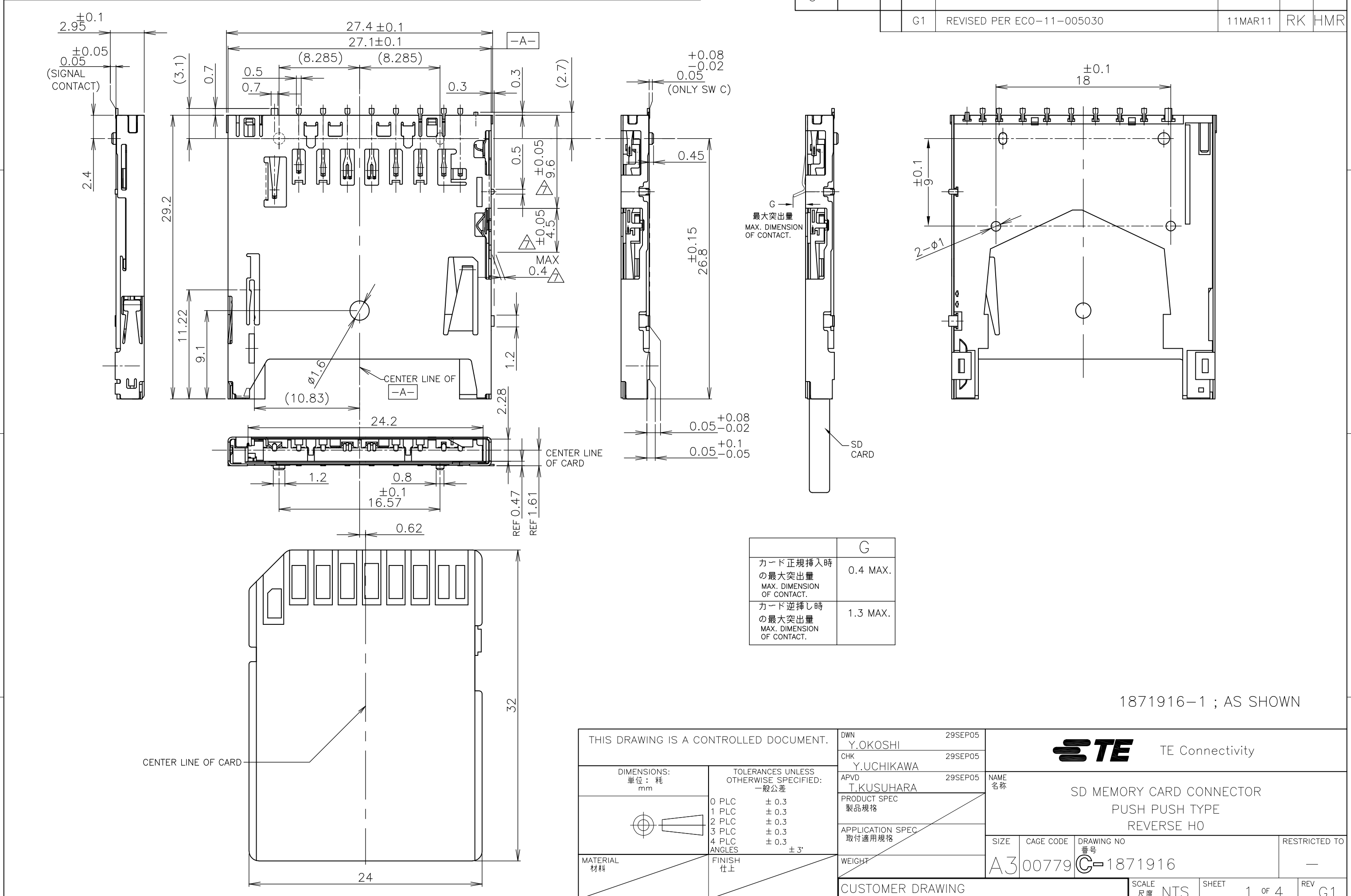


THIS DRAWING IS UNPUBLISHED. RELEASED FOR PUBLICATION
 © COPYRIGHT - By - ALL RIGHTS RESERVED.

| LOC | DIST | REVISIONS | | | | | |
|-----|------|-----------|-----|---------------------------|---------|-----|------|
| J | - | P | LTR | DESCRIPTION | DATE | DWN | APVD |
| | | G1 | | REVISED PER ECO-11-005030 | 11MAR11 | RK | HMR |

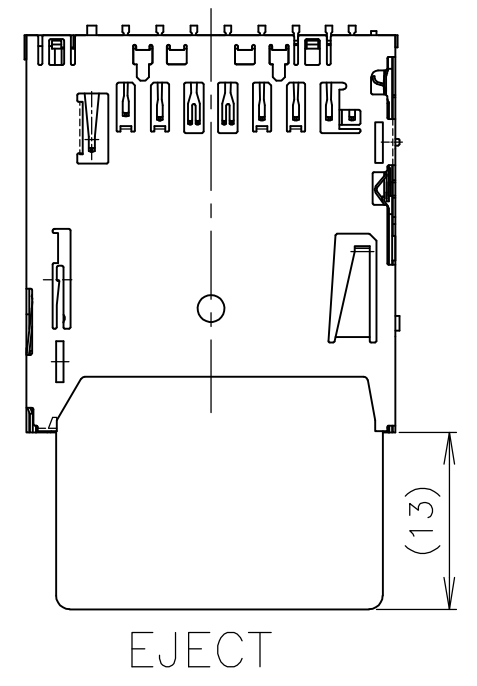
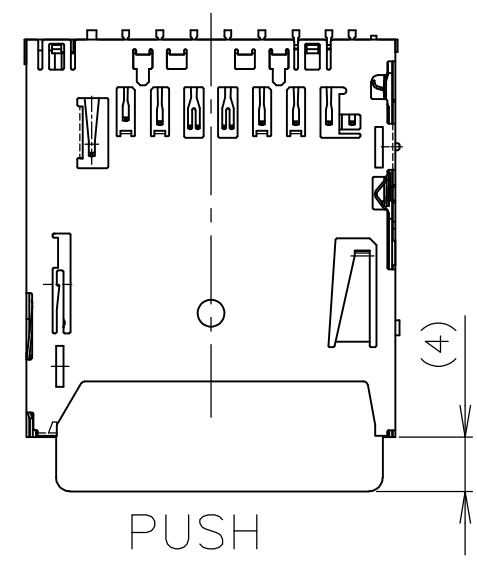
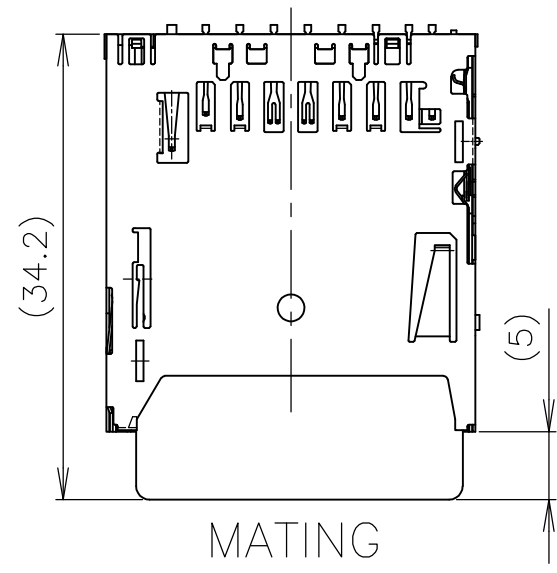


1871916-1 ; AS SHOWN

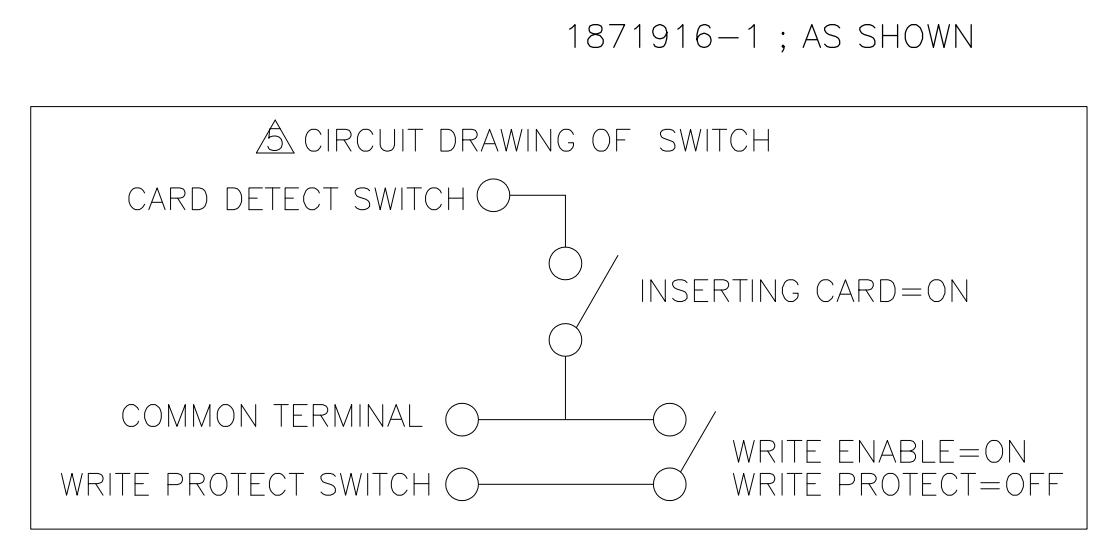
| | | | | |
|---|--|-------------------------|-----------------|--|
| THIS DRAWING IS A CONTROLLED DOCUMENT. | | DWN Y.OKOSHI 29SEP05 | TE Connectivity | |
| DIMENSIONS: 単位: 耗 mm | | CHK Y.UCHIKAWA 29SEP05 | | |
| TOLERANCES UNLESS OTHERWISE SPECIFIED: 一般公差 | | APVD T.KUSUHARA 29SEP05 | NAME 名称 | |
| 0 PLC ± 0.3 | | PRODUCT SPEC 製品規格 | | SD MEMORY CARD CONNECTOR PUSH PUSH TYPE REVERSE H0 |
| 1 PLC ± 0.3 | | APPLICATION SPEC 取付適用規格 | | |
| 2 PLC ± 0.3 | | SIZE A3 | CAGE CODE 00779 | DRAWING NO 番号 G-1871916 |
| 3 PLC ± 0.3 | | WEIGHT | | RESTRICTED TO |
| 4 PLC ± 0.3 | | CUSTOMER DRAWING | | SCALE 尺度 NTS |
| ANGLES ± 3' | | FINISH 仕上 | | SHEET 1 OF 4 |
| MATERIAL 材料 | | REV G1 | | |

THIS DRAWING IS UNPUBLISHED. RELEASED FOR PUBLICATION
 © COPYRIGHT - By - ALL RIGHTS RESERVED.

| LOC | DIST | REVISIONS | | | | 注記 | |
|-----|------|-----------|-----|-------------|------|----|-----|
| | | P | LTR | DESCRIPTION | DATE | | DWN |
| J | - | | | SEE SHEET 1 | - | - | - |



- 注記
- △ カード認識スイッチ用
 - △ コモン端子用
 - △ ライトプロテクトスイッチ用
 - 4 カード挿入時の接触の順番
 PIN #3,4 → PIN #2,5,6,7,8,9
 カード認識スイッチ ← PIN #1 ←
 - △ スwitchの回路図
 - 6 本製品は浸漬による洗浄は行わないこと。
 - 7 適合基板厚 0.6±0.1mm
 - 8 コプラナリティは、0.1mm以下。
 - 9 材料
 ハウジング : LCP樹脂、UL94V-0、黒色
 コンタクト : 銅合金
 シェル : 銅合金 (t=0.2)
 - 10 仕上げ
 コンタクト : 接点部 : Ni下地めっき 2~4μm、Auめっき0.2~0.5μm。
 タイム : Snめっき 2~4μm。(無光沢)
 タイム : Auめっき 0.05~0.13μm。(コモン端子)
 シェル : Cu 0.5μm.MIN. Snめっき(前めっき リフロー処理) 1μm.MIN.

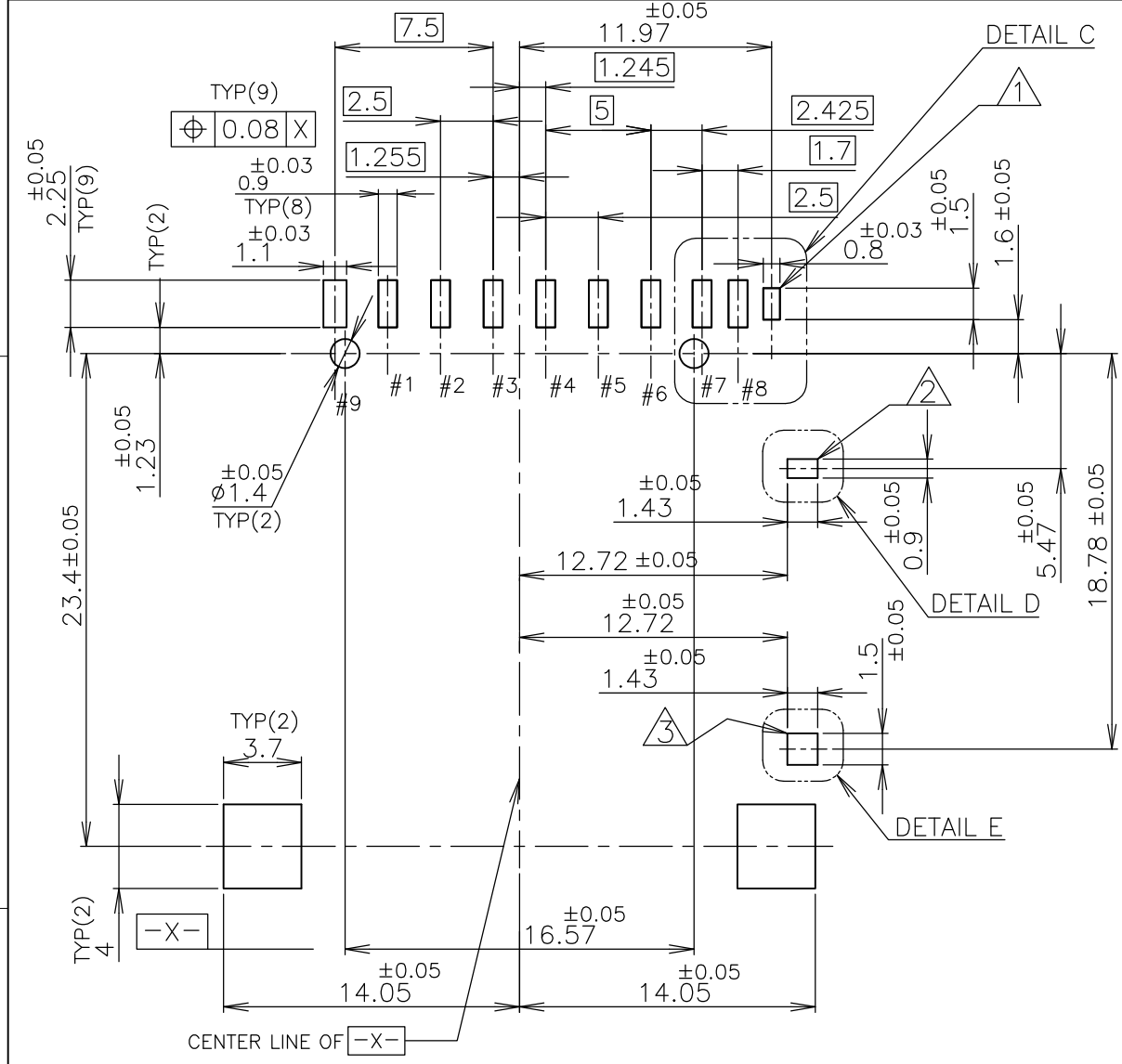


- NOTE
- △ FOR CARD DETECT SWITCH
 - △ FOR COMMON TERMINAL
 - △ FOR WRITE PROTECT SWITCH
 - 4 THE SEQUENCE OF CONTACT DURING CARD INSERTION
 PIN #3,4 → PIN #2,5,6,7,8,9
 CARD DETECT SWITCH ← PIN #1 ←
 - △ CIRCUIT DRAWING OF SWITCH
 - 6 DON'T WASH BY IMMERSING THE CONNECTOR IN FLUID
 - 7 APPLICABLE BOARD THICKNESS :0.8±0.1mm
 - 8 COPLANARITY IS 0.1MAX.
 - 9 MATERIAL
 HOUSING : LCP,UL94V-0,BLACK
 CONTACT : COPPER ALLOY
 SHELL : COPPER ALLOY (t=0.2)
 - 10 FINISH
 CONTACT : CONTACT AREA:Ni UNDER PLATING 2~4μm. Au PLATING 0.2~0.5μm.
 TIME : Sn PLATING 2~4μm.(NON LUSTER)
 TIME : Au PLATING 0.05~0.13μm.(COMMON TERMINAL)
 SHELL : Cu 0.5μm.MIN. Sn PLATING(PRE-TIN REFLOW) 1μm.MIN.

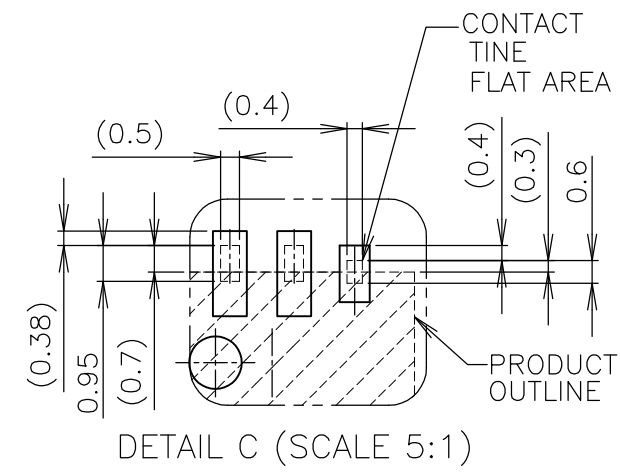
| | | | | | | |
|--|--|----------------------------|--|-------------|------------------|---------------|
| THIS DRAWING IS A CONTROLLED DOCUMENT. | | DWN | STE TE Connectivity | | | |
| DIMENSIONS: 単位: 耗 mm | | CHK | | | | |
| | TOLERANCES UNLESS OTHERWISE SPECIFIED: 一般公差 | APVD | NAME 名称 | | | |
| | 0 PLC ± 0.3 | PRODUCT SPEC 製品規格 | SD MEMORY CARD CONNECTOR PUSH PUSH TYPE REVERSE H0 | | | |
| | 1 PLC ± 0.3 | APPLICATION SPEC 取付適用規格 | SIZE | CAGE CODE | DRAWING NO 番号 | RESTRICTED TO |
| | 2 PLC ± 0.3 | WEIGHT | A3 | 00779 | G-1871916 | - |
| 3 PLC ± 0.3 | FINISH 仕上 | CUSTOMER DRAWING | | SCALE 尺度 | SHEET 2 OF 4 | REV G1 |
| 4 PLC ± 0.3 | | | | NTS | | |
| ANGLES ± 3' | | | | | | |
| MATERIAL 材料 | | | | | | |

THIS DRAWING IS UNPUBLISHED. RELEASED FOR PUBLICATION
 © COPYRIGHT - By - ALL RIGHTS RESERVED.

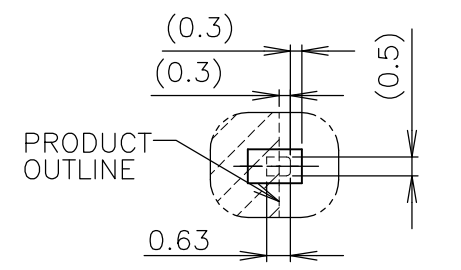
| LOC | DIST | REVISIONS | | | DATE | DWN | APVD |
|-----|------|-----------|-----|-------------|------|-----|------|
| | | P | LTR | DESCRIPTION | | | |
| J | - | - | - | SEE SHEET 1 | - | - | - |



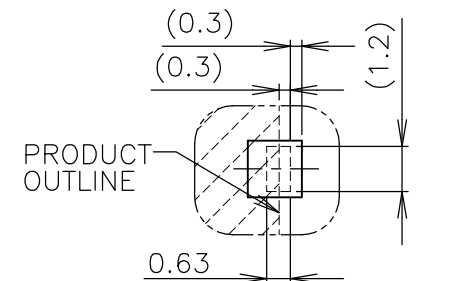
PCB PATTERN LAYOUT(REFERENCE)
 (VIEW FROM CONNECTOR MOUNT SIDE)



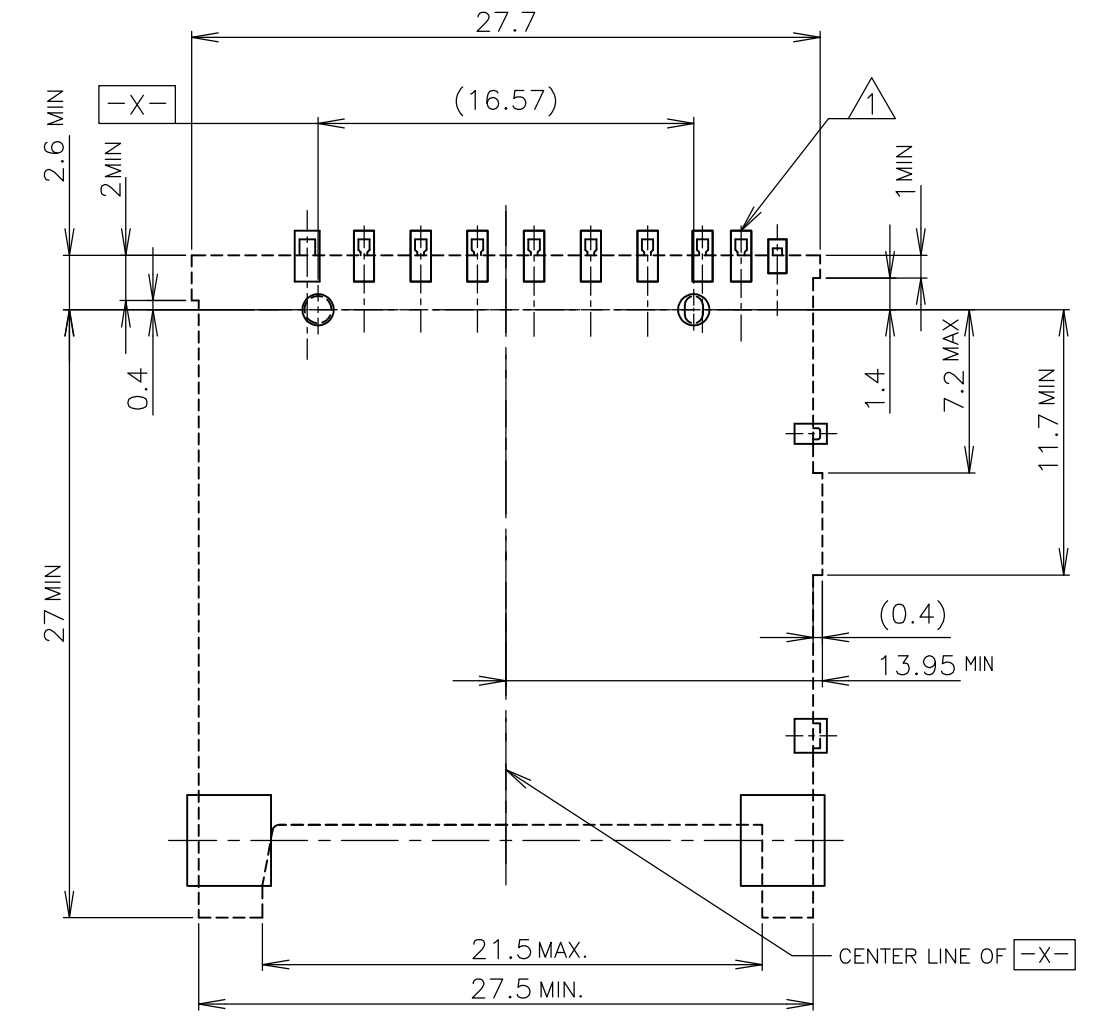
DETAIL C (SCALE 5:1)



DETAIL D (SCALE 5:1)

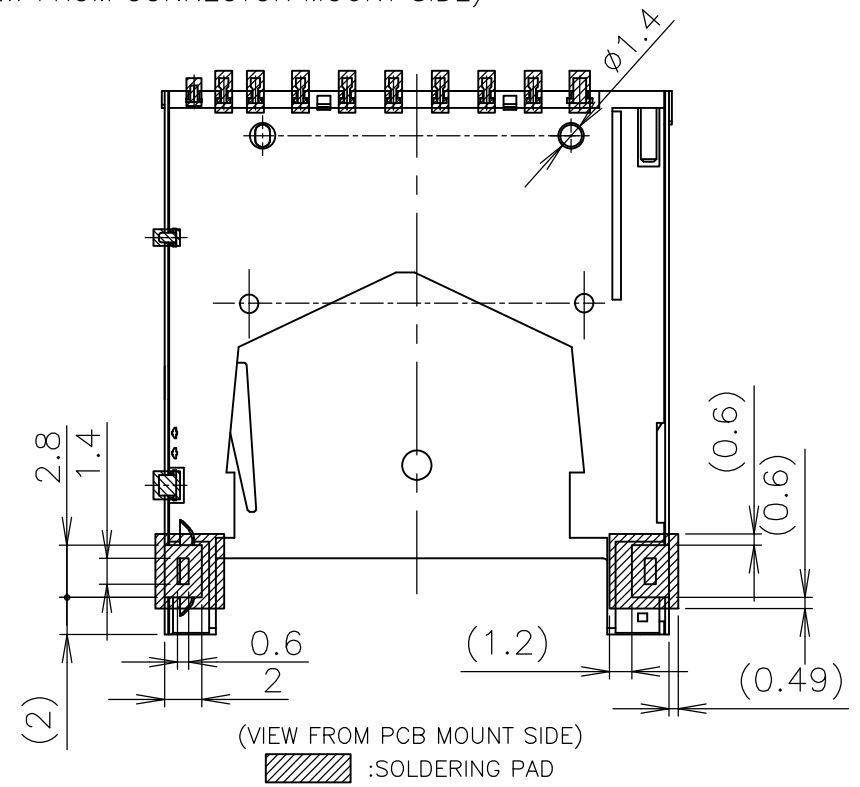


DETAIL E (SCALE 5:1)



(VIEW FROM CONNECTOR MOUNT SIDE)

▨ : COMPONENT PROHIBITION AREA
 □ : SOLDERING PAD

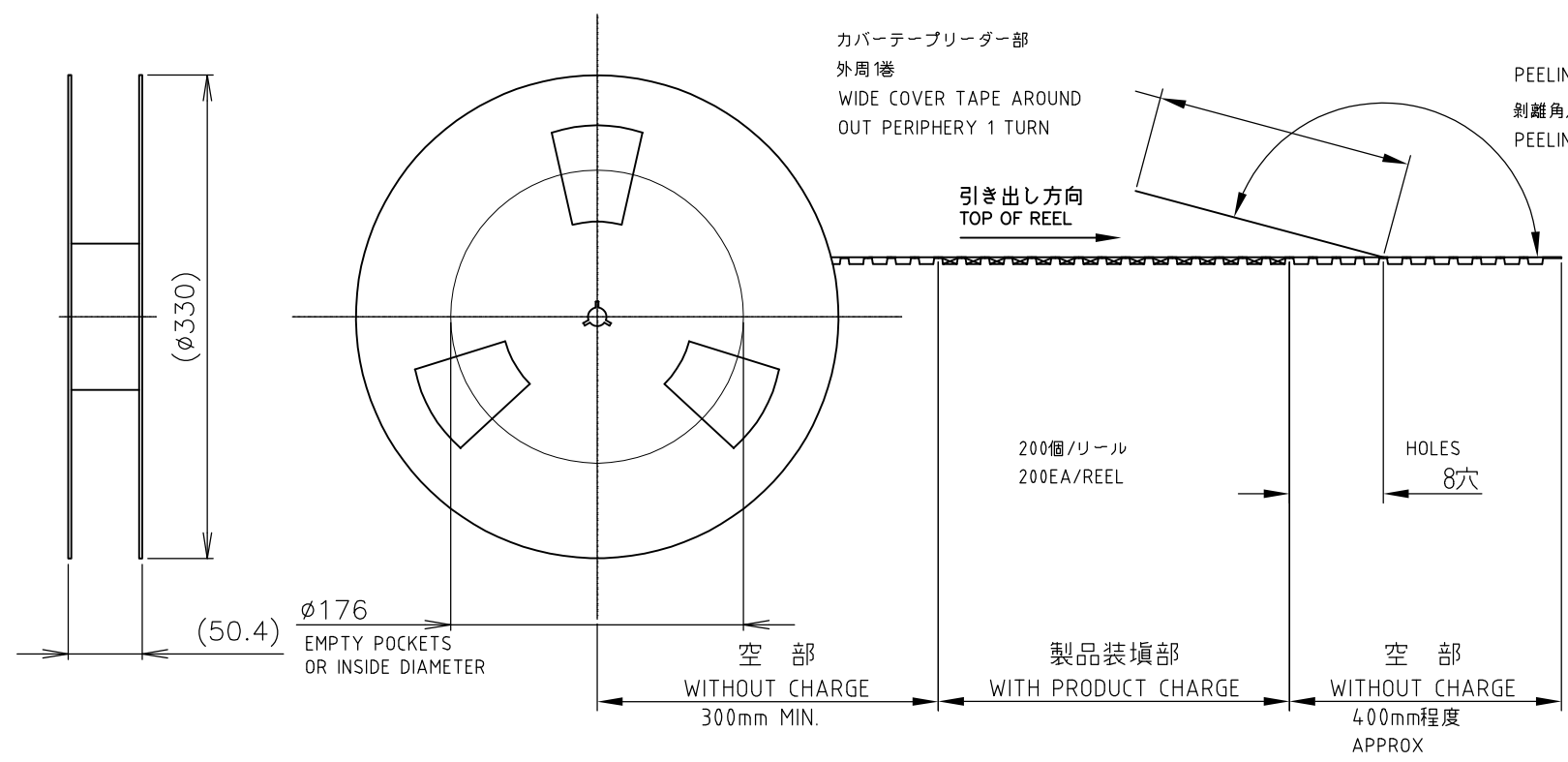
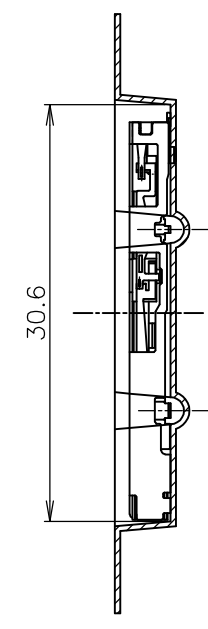
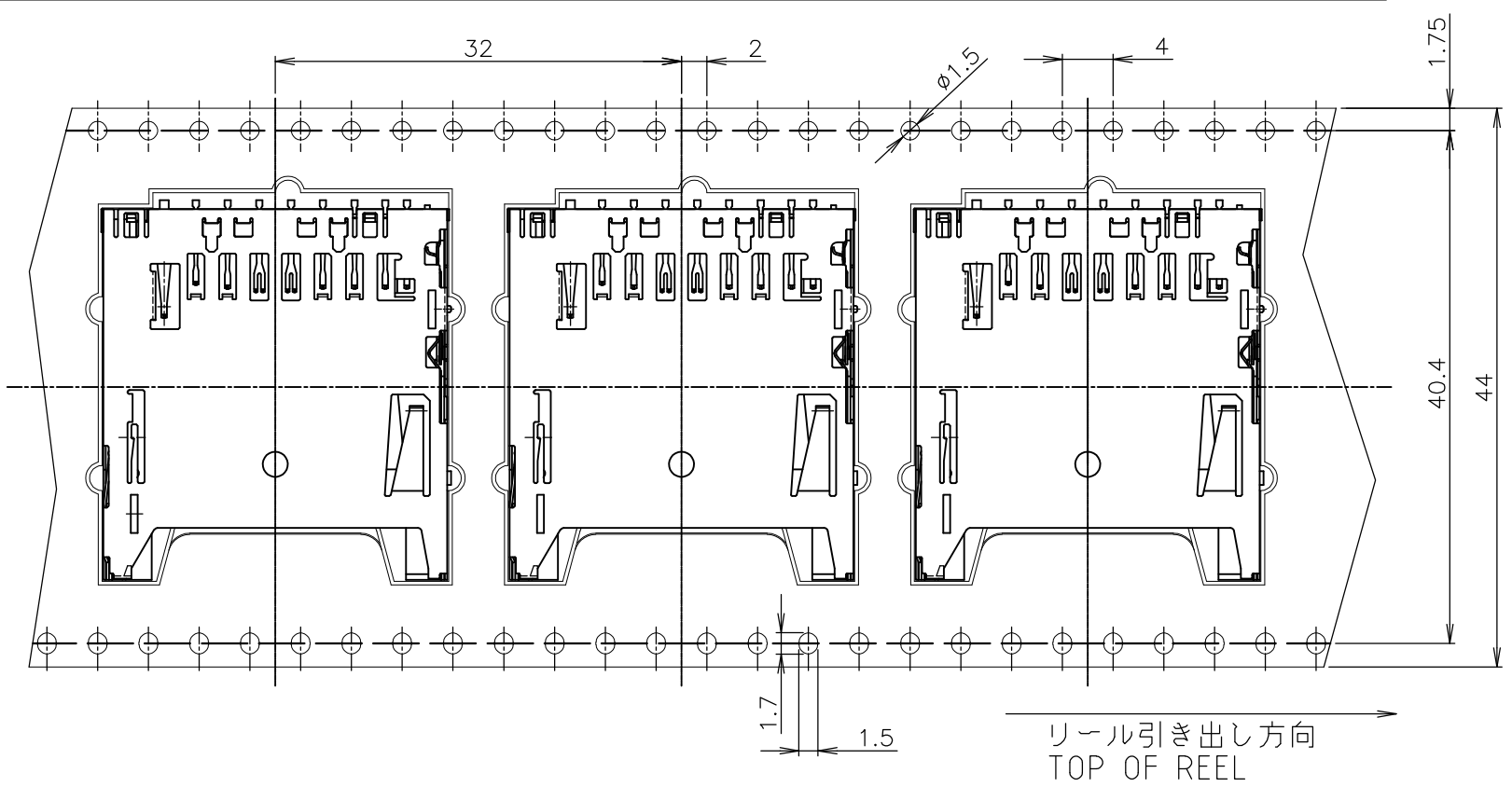


(VIEW FROM PCB MOUNT SIDE)
 ▨ : SOLDERING PAD

| | | | | | |
|---|--|-------------------------|--------------------------|-----------|---------------|
| THIS DRAWING IS A CONTROLLED DOCUMENT. | | DWN | TE Connectivity | | |
| DIMENSIONS: 單位: 耗 mm | | CHK | | | |
| TOLERANCES UNLESS OTHERWISE SPECIFIED: 一般公差 | | APVD | NAME 名称 | | |
| 0 PLC ± 0.3 | | PRODUCT SPEC 製品規格 | SD MEMORY CARD CONNECTOR | | |
| 1 PLC ± 0.3 | | APPLICATION SPEC 取付適用規格 | PUSH PUSH TYPE | | |
| 2 PLC ± 0.3 | | WEIGHT | SIZE | CAGE CODE | DRAWING NO 番号 |
| 3 PLC ± 0.3 | | CUSTOMER DRAWING | A3 | 00779 | G-1871916 |
| 4 PLC ± 0.3 | | | SCALE 尺度 | NTS | SHEET 3 OF 4 |
| ANGLES ± 3° | | RESTRICTED TO | | | |
| FINISH 仕上 | | - | | | |

THIS DRAWING IS UNPUBLISHED. RELEASED FOR PUBLICATION
 © COPYRIGHT - By - ALL RIGHTS RESERVED.

| LOC | DIST | REVISIONS | | | | | |
|-----|------|-----------|-----|-------------|------|-----|------|
| | | P | LTR | DESCRIPTION | DATE | DWN | APVD |
| J | - | - | - | SEE SHEET 1 | - | - | - |



| | | | | |
|---|------------------|------------------|----------------------------|---------------|
| THIS DRAWING IS A CONTROLLED DOCUMENT. | | DWN | STE TE Connectivity | |
| DIMENSIONS: 単位: 耗 mm | | CHK | | |
| TOLERANCES UNLESS OTHERWISE SPECIFIED: 一般公差 | | APVD | NAME 名称 | |
| 0 PLC ± 0.3 | | PRODUCT SPEC | SD MEMORY CARD CONNECTOR | |
| 1 PLC ± 0.3 | | 製品規格 | PUSH PUSH TYPE | |
| 2 PLC ± 0.3 | | APPLICATION SPEC | REVERSE H0 | |
| 3 PLC ± 0.3 | | 取付適用規格 | SIZE | CAGE CODE |
| 4 PLC ± 0.3 | | WEIGHT | A3 | 00779 |
| ANGLES ± 3° | | DRAWING NO 番号 | | RESTRICTED TO |
| FINISH 仕上 | | G-1871916 | | - |
| MATERIAL 材料 | CUSTOMER DRAWING | | SCALE 尺度 | SHEET 4 OF 4 |
| | | | NTS | REV G1 |