



# PRODUCT DATASHEET

## Ida series

last update 12/10/2015

### DETAILS

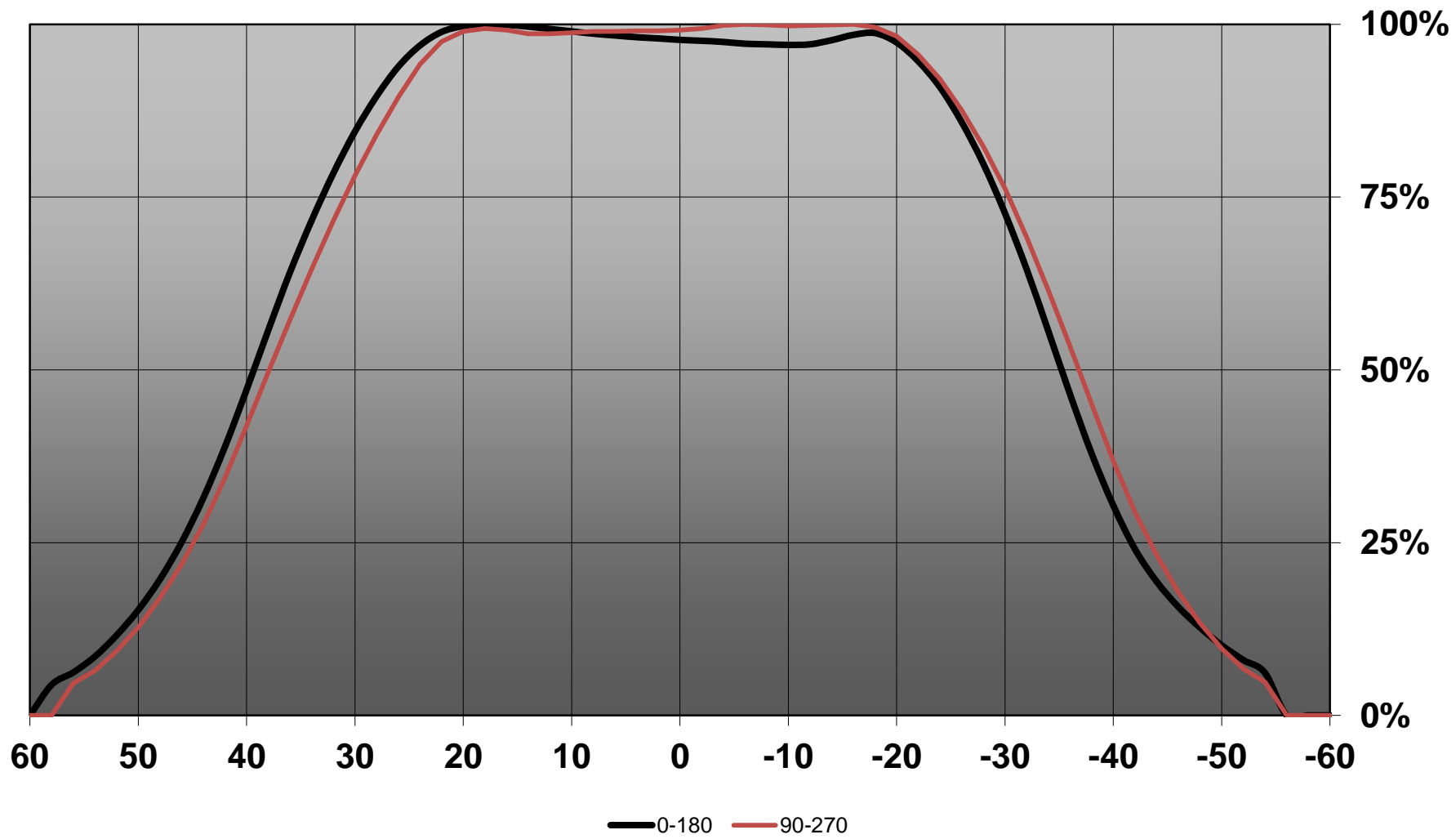
<b>Product Number</b>	CP14876_IDA16-WW
<b>Family</b>	Ida
<b>Type</b>	Assembly
<b>Color</b>	black
<b>Diameter</b>	49,7 + 49,5 mm
<b>Height</b>	9,2 mm
<b>Style</b>	square
<b>Optic Material</b>	
<b>Holder Material</b>	
<b>Fastening</b>	clips
<b>Status</b>	production ready
<b>ROHS Compliant</b>	Yes
<b>Date Updated</b>	12/10/2015



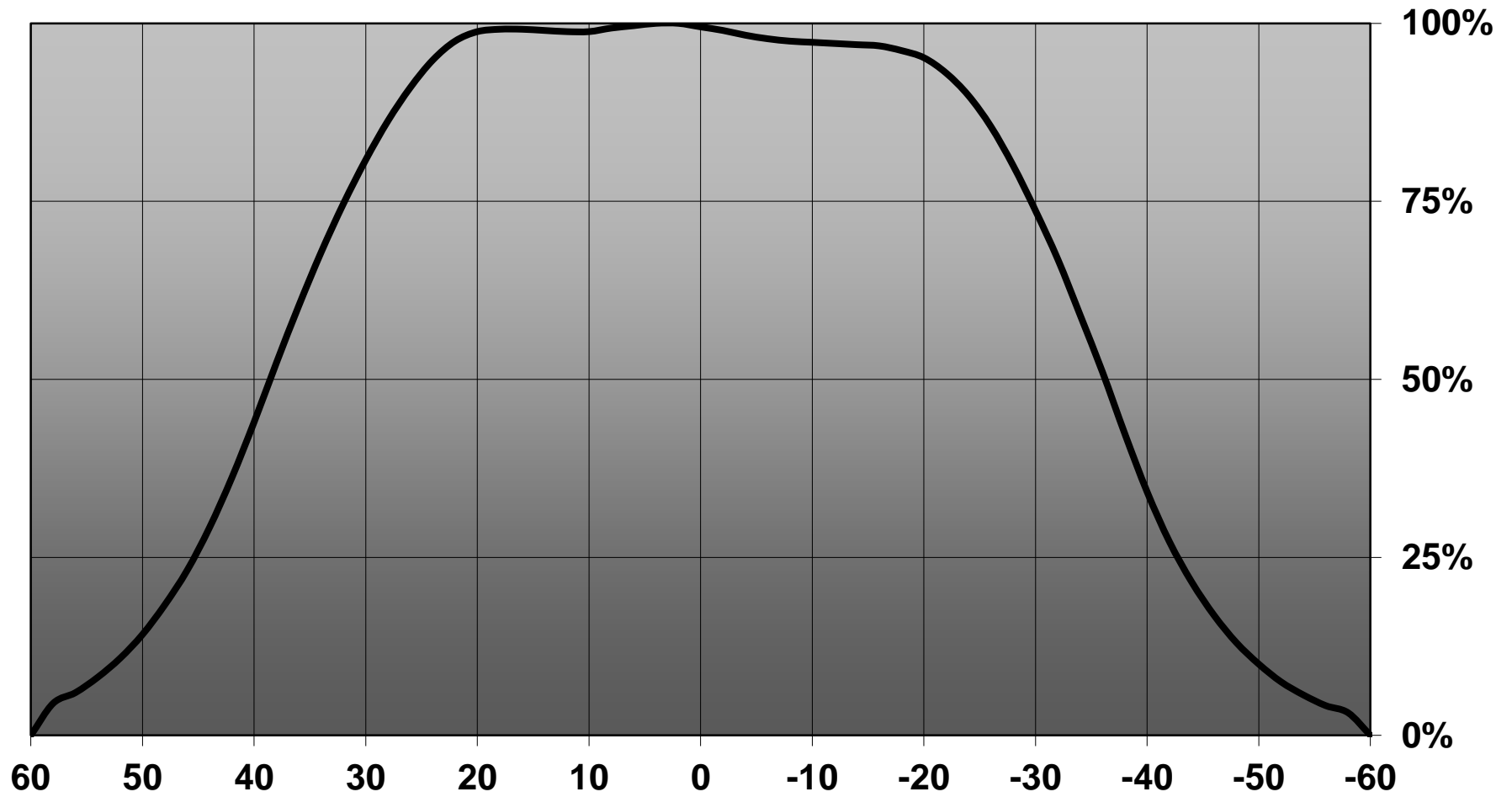
### OPTICAL PROPERTIES

LED	Viewing Angle	Light Beam	Efficiency	cd/lm	Connector
NF2x757G	75 deg	Very Wide	86 %	0.700	-
Duris S5 (2 chip)	sim: 71	Very Wide	sim: 93 %	-	-
LM301A	75 deg	Very Wide	89 %	0.690	-

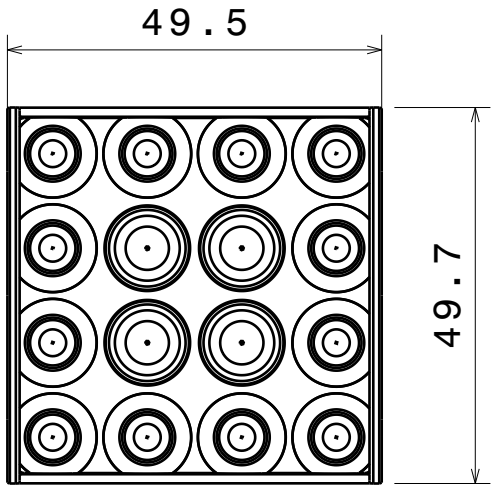
Relative intensity of CP14876\_IDA16-WW\_(Nichia\_757G)



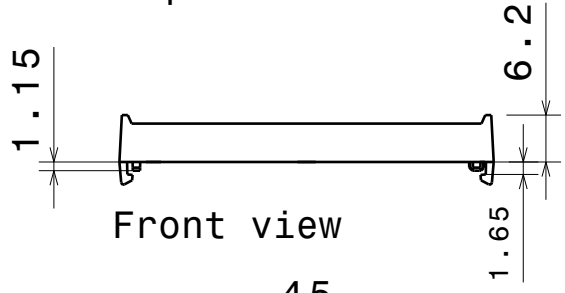
Relative intensity of CP14876\_IDA16-WW\_(LM301A)



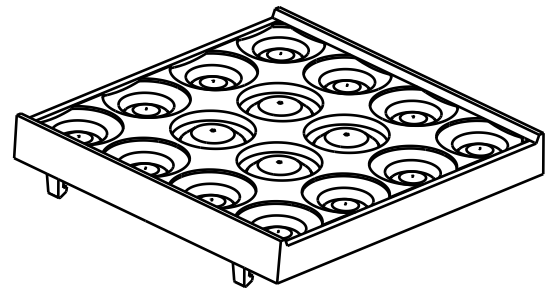
D C B A



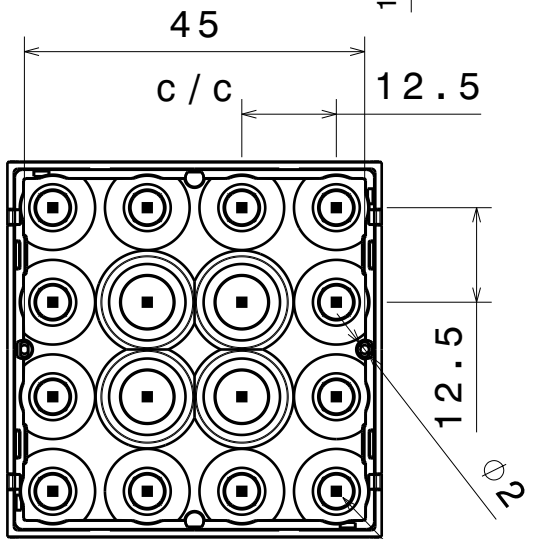
Top view



Front view



Isometric view  
Scale: 1:1



Bottom view

LED position

Note:  
Countersunk screws required for PCB attachment.

INDEX	PART NO	DESCRIPTION	MATERIAL	COLOUR
1	C14538	IDA16-HLD-16	PC	gray
2	C14596	IDA16-WW	PMMA	

Tolerances if not otherwise shown  
According to DIN ISO 2768-1  
Linear measures:  
up to 30mm class M, otherwise class C  
According to DIN ISO 2768-2  
Form and position: class L

**LEDiL** LediL Oy  
Salorankatu 10  
FIN 24240 SALO  
Finland

THIRD ANGLE PROJECTION:

DRAWING TITLE  
**CP14876\_IDA16-WW**

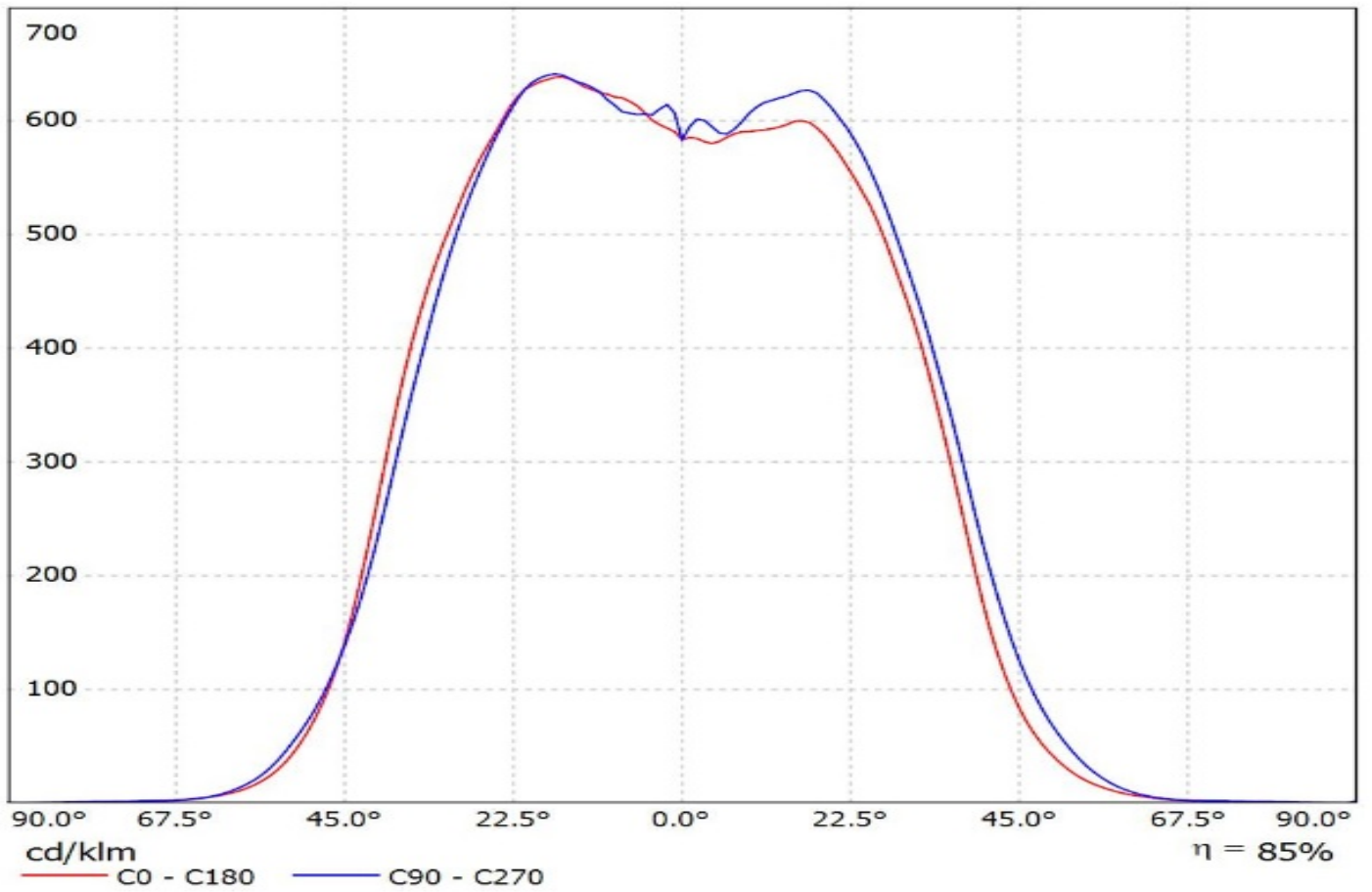
This drawing is the property of LEDiL Oy. It may not be reproduced, copied or communicated without a written agreement with LEDiL Oy.

SIZE PART NUMBER  
**A4 CP14876**

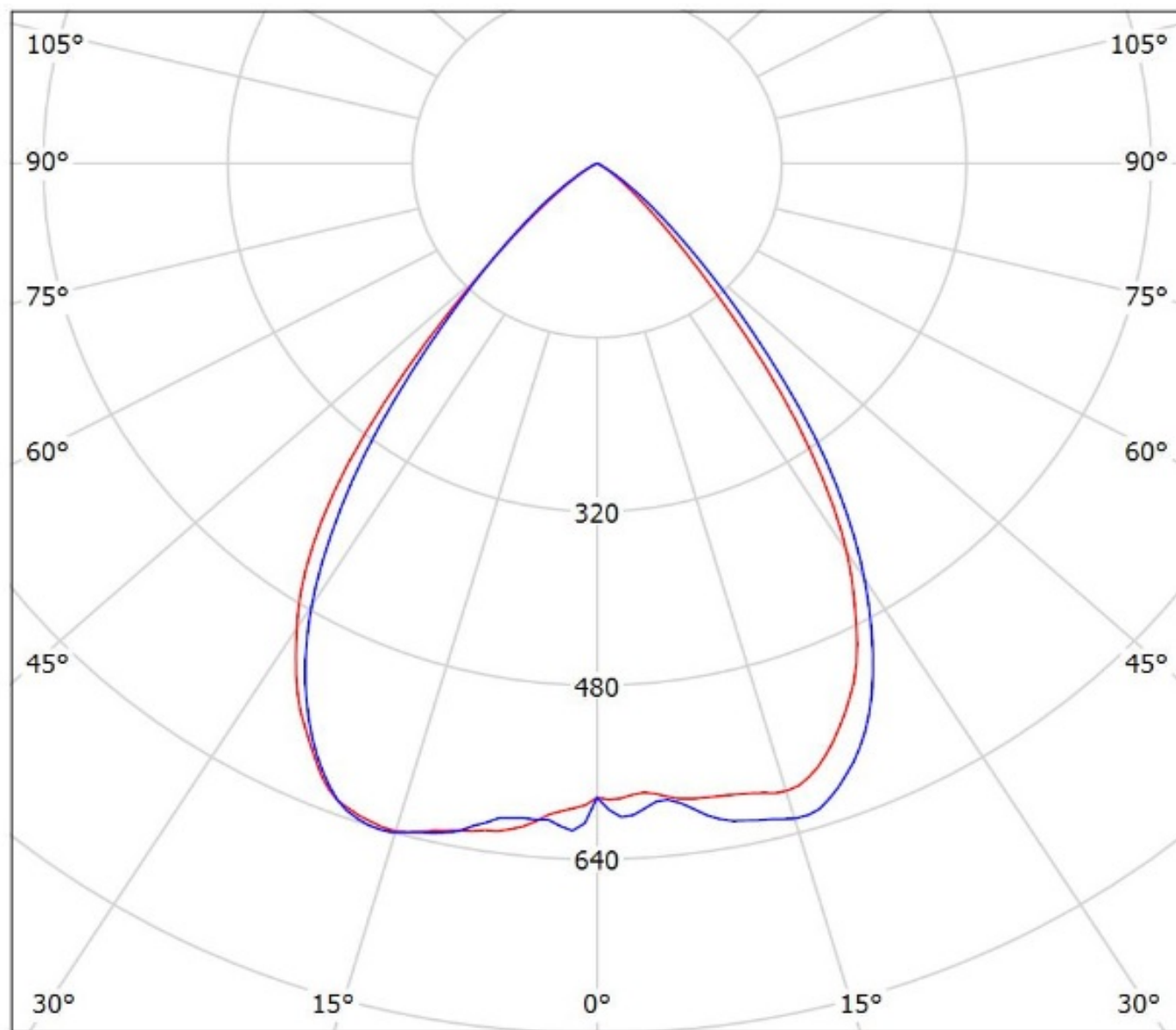
SCALE 1:1 WEIGHT 7,97 g SHEET 1/1

D A

Luminaire: Ledil Oy CP14876\_IDA16-WWW\_(NF2W757GR)\_SIMULATED  
Lamps: 1 x Nichia NF2W757GR



Luminaire: Ledil Oy CP14876\_IDA16-WW\_(NF2W757GR)\_SIMULATED  
Lamps: 1 x Nichia NF2W757GR



cd/klm

— C0 - C180 — C90 - C270

$\eta = 85\%$

**NOTE: The typical divergence will be changed by different color, chip size and chip position tolerance. The typical total divergence is the full angle measured where the luminous intensity is half of the peak value.**