

THIS DRAWING IS UNPUBLISHED.

RELEASED FOR PUBLICATION

© COPYRIGHT - By -

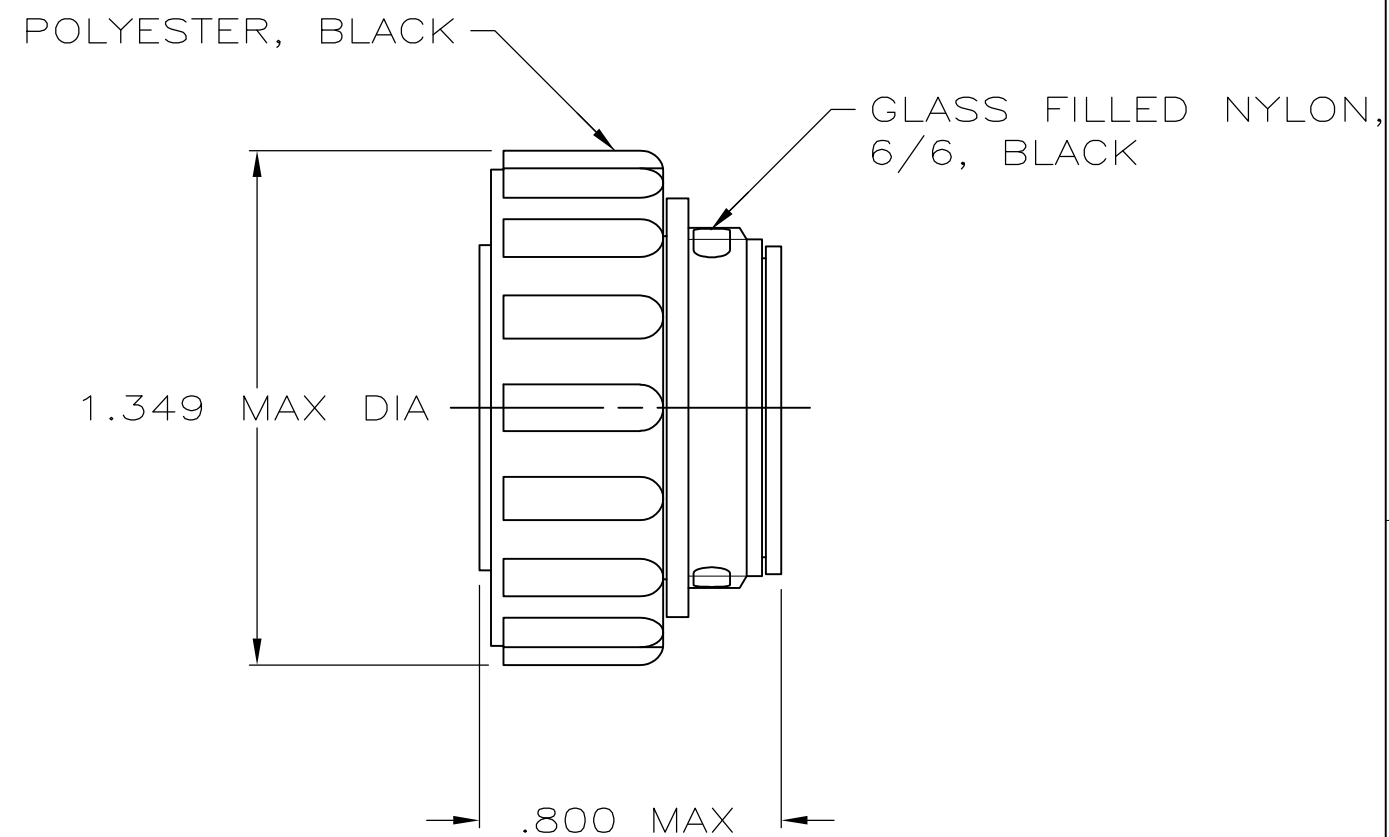
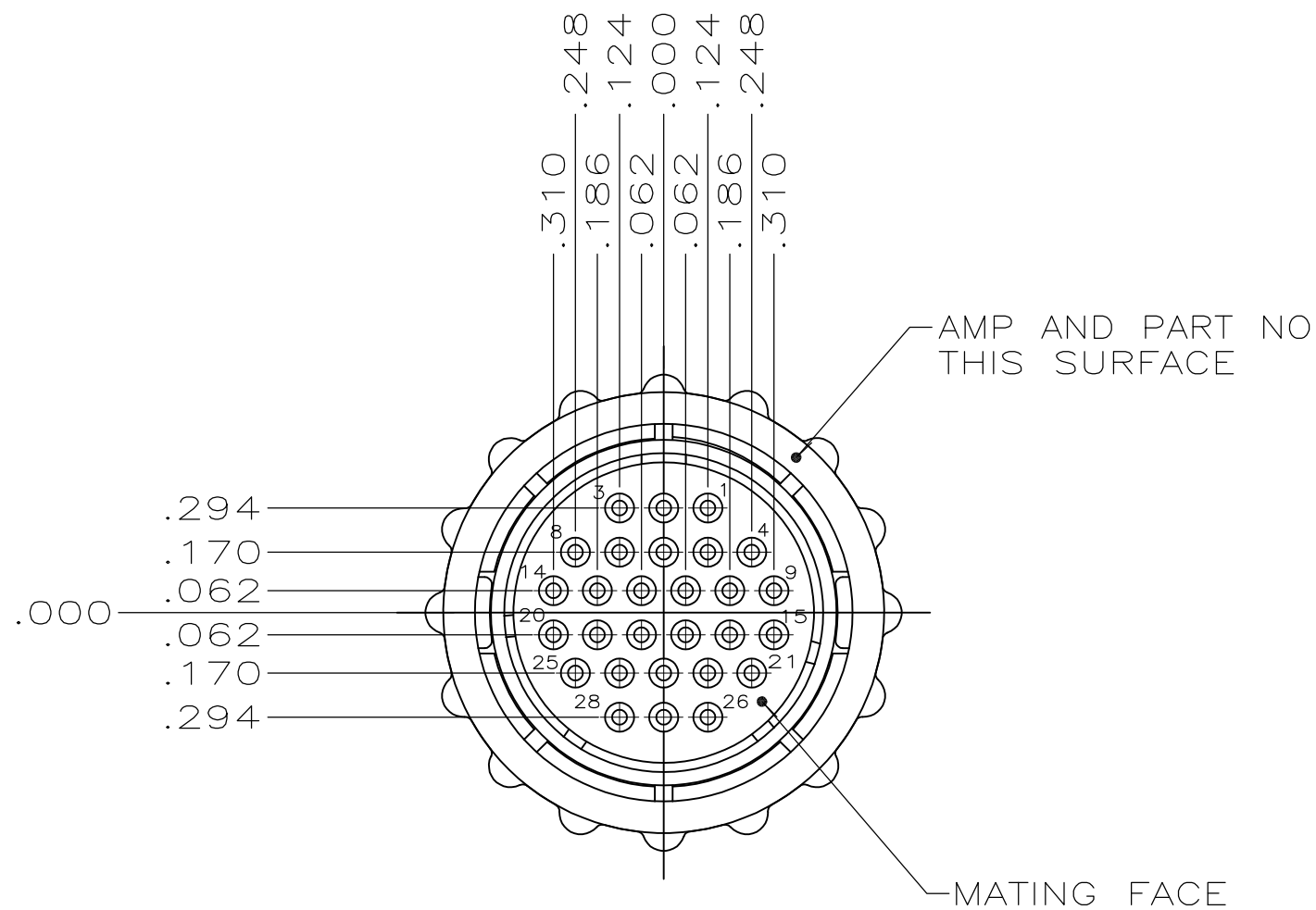
ALL RIGHTS RESERVED.

LOC
FT

DIST
4

REVISIONS

P	LTR	DESCRIPTION	DATE	DWN	APVD
	H2	REVISED PER ECO-11-004820	11MAR11	RK	HMR



3 OBSOLETE	SMALL PACK	205839-4
	STANDARD	205839-3
	PACKAGING	PART NUMBER

- CONTACT CAVITIES IDENTIFIED BY CHARACTERS ON FRONT AND REAR FACES OF CONNECTOR.
- WILL ACCEPT (28) SIZE 20 SOCKET CONTACTS.

3 OBSOLETE PARTS: OBSOLETE CIS STREAMLINING PER D.RENAUD/D.SINISI

THIS DRAWING IS A CONTROLLED DOCUMENT.		DWN A.STAUB BG 4/1/91	TE Connectivity		
DIMENSIONS: INCHES		CHK W.G.LENKER 7-23-92			
TOLERANCES UNLESS OTHERWISE SPECIFIED:		APVD K.BEAVER 7-23-92	NAME PLUG ASSEMBLY, STD SEX, SERIES 2, 17-28, CPC		
		PRODUCT SPEC 108-10024	SIZE A3		
MATERIAL SEE		FINISH -	APPLICATION SPEC -	CAGE CODE 00779	DRAWING NO C-205839
		WEIGHT -	CUSTOMER DRAWING	RESTRICTED TO -	SCALE 2:1
				SHEET 1 OF 1	REV H2