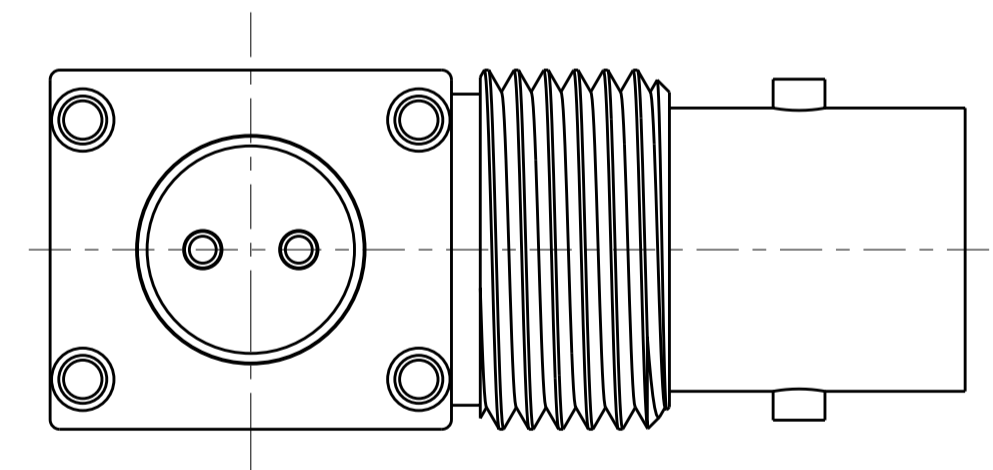
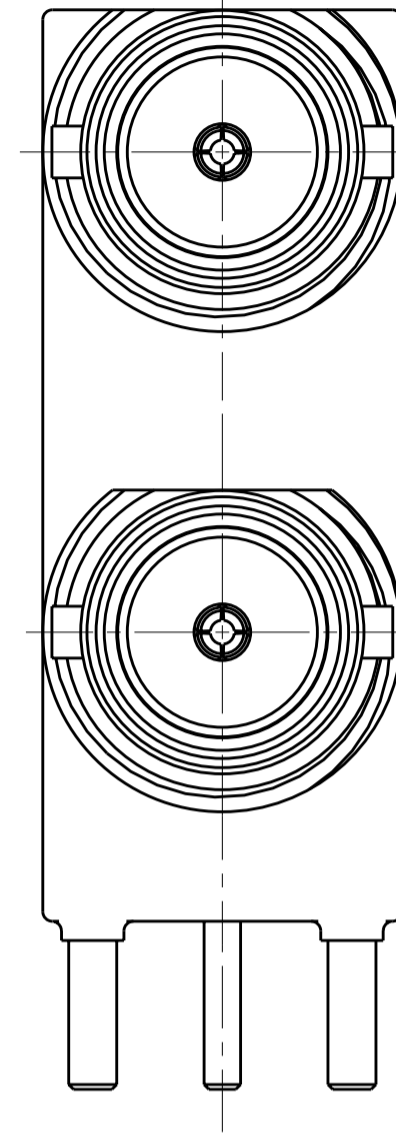
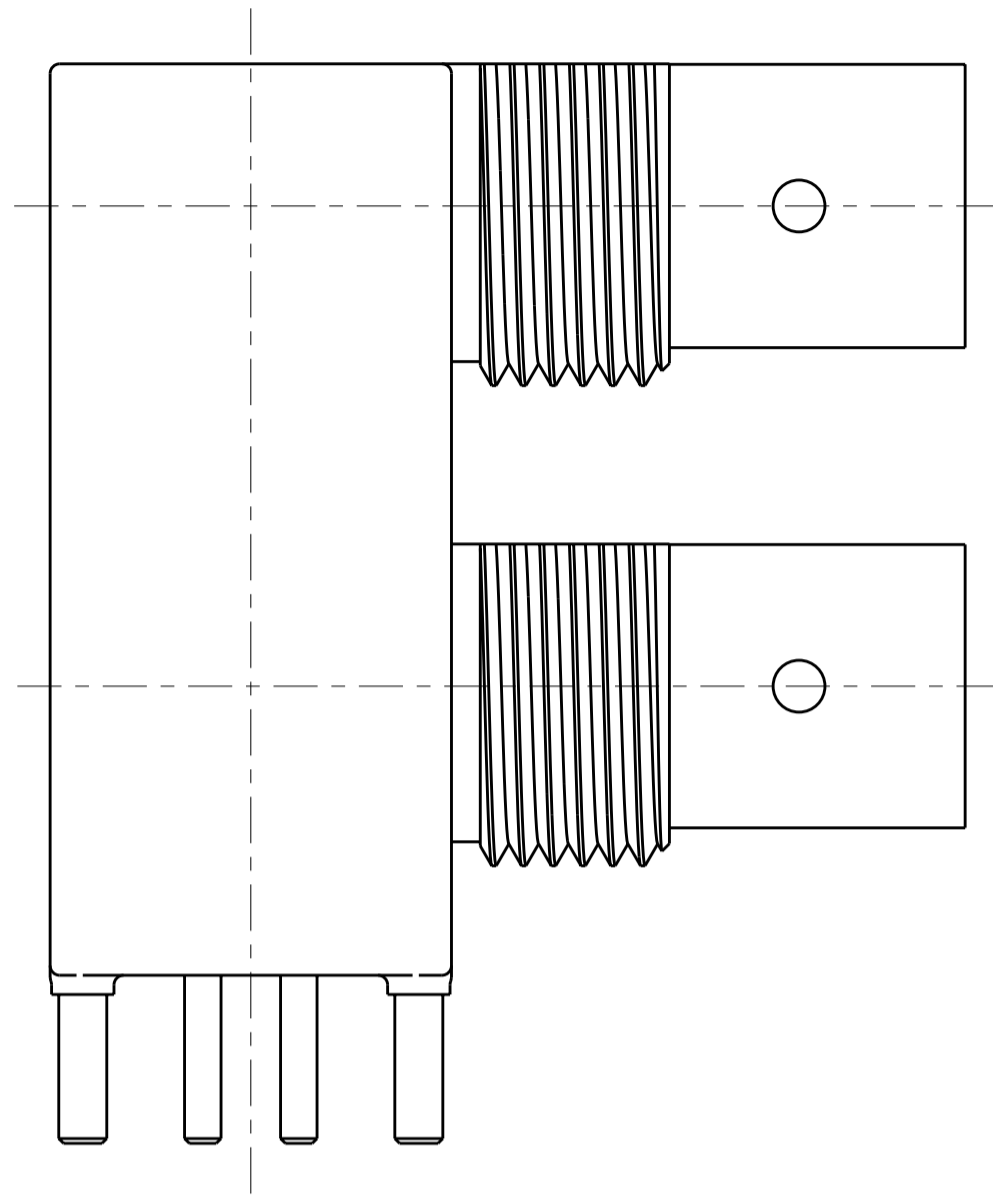


THIS DRAWING IS UNPUBLISHED. RELEASED FOR PUBLICATION 20
 © COPYRIGHT 20 BY TYCO ELECTRONICS CORPORATION. ALL RIGHTS RESERVED.

LOC	DIST	REVISIONS					
		P	LTR	DESCRIPTION	DATE	DWN	APVD
AJ	16		A	REV PER ECO 07-026422	08NOV2007	DW	KW



⚠ P/N 1274663-2 INCLUDES 1 CONNECTOR P/N 1274684-1 (SHOWN ABOVE), 2 JAM NUTS P/N 1274610-2 AND 2 LOCKWASHERS P/N 1-329492-1 (NOT SHOWN) PACKAGED SEPERATELY

⚠ 1274663-2
 PART NUMBER

<small>THIS DRAWING IS A CONTROLLED DOCUMENT FOR TYCO ELECTRONICS CORPORATION. IT IS SUBJECT TO CHANGE AND THE CONTROLLING ENGINEERING ORGANIZATION SHOULD BE CONTACTED FOR THE LATEST REVISION.</small>		DWN K. WEIDNER 2APR2005 CHK K. WEIDNER 2APR2005 APVD K. WEIDNER 2APR2005	Tyco Electronics Harrisburg, PA 17105-3608
DIMENSIONS: INCHES [mm]	TOLERANCES UNLESS OTHERWISE SPECIFIED: 0 PLC ±- 1 PLC ±- 2 PLC ±- 3 PLC ±.005 [0.13] 4 PLC ±- ANGLES ±2 FINISH	PRODUCT SPEC 108-2159 APPLICATION SPEC - WEIGHT - CUSTOMER DRAWING	NAME JACK, 2 POSITION, R/A, PCB, MINI BNC KIT SIZE A200779 CAGE CODE C-1274663 DRAWING NO - RESTRICTED TO - SCALE 5:1 SHEET 1 OF 1 REV A