

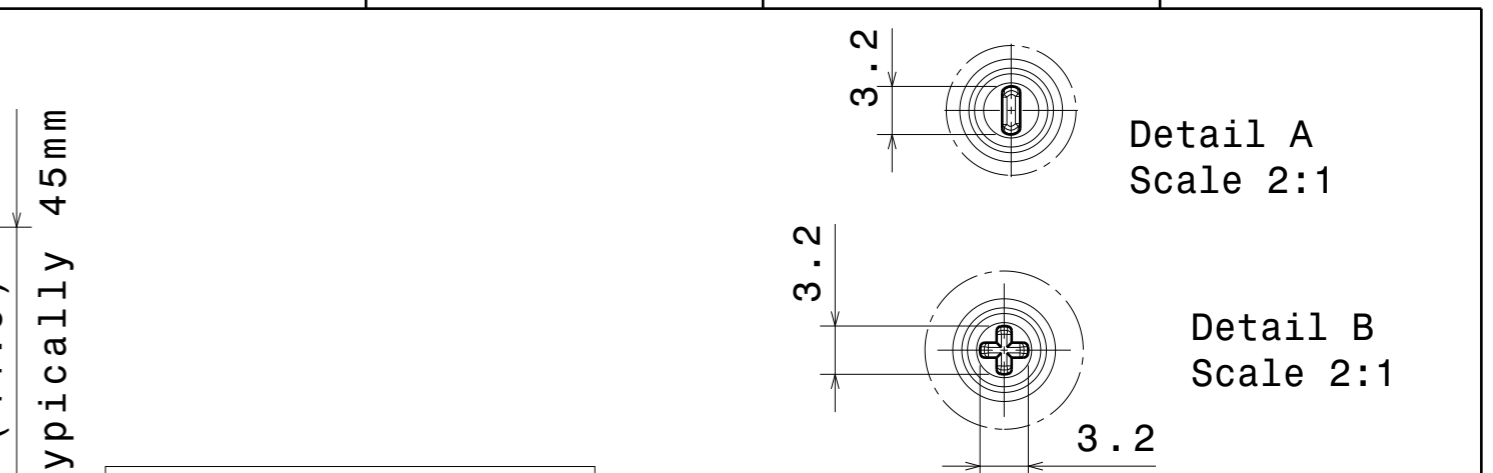
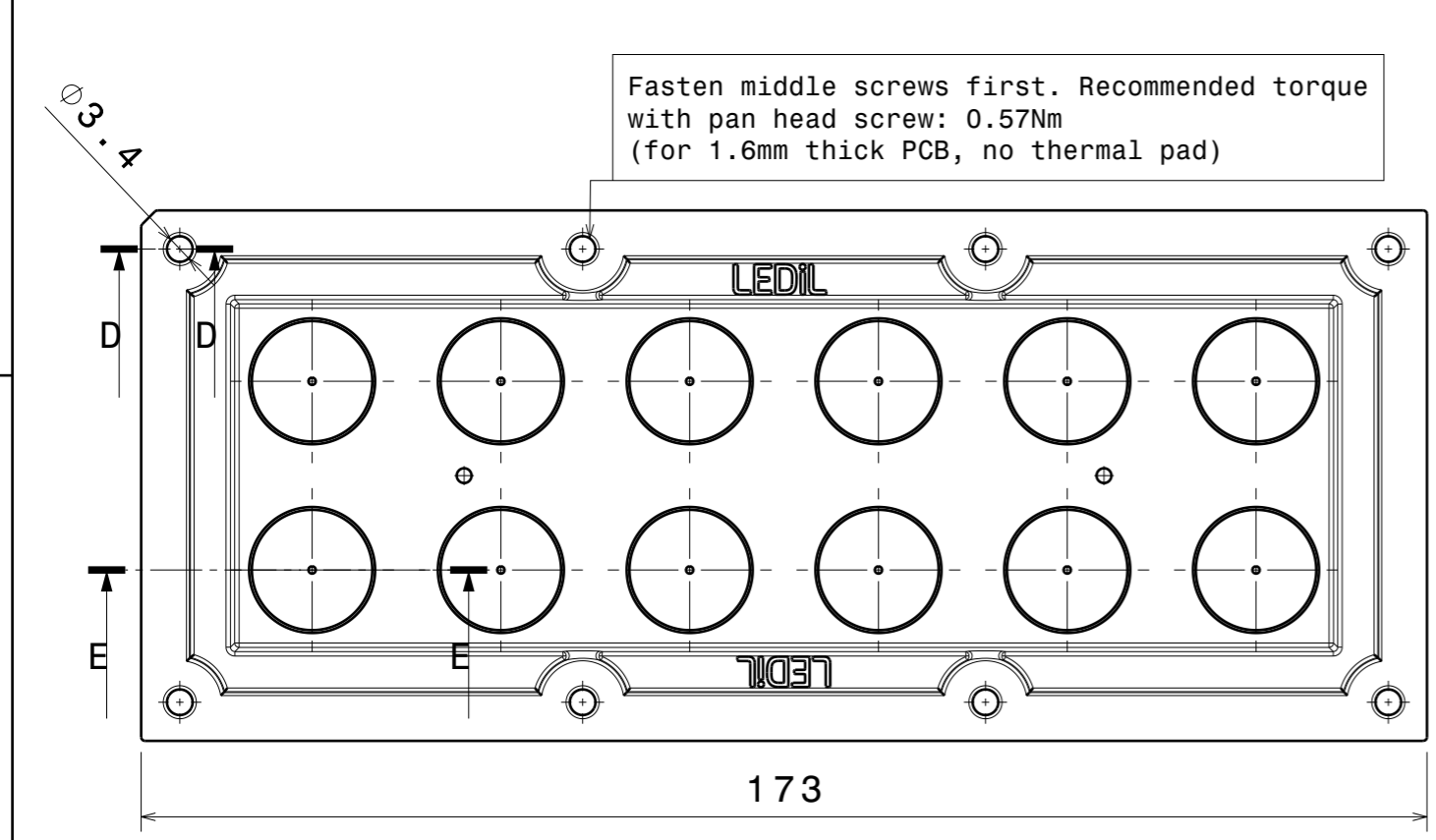
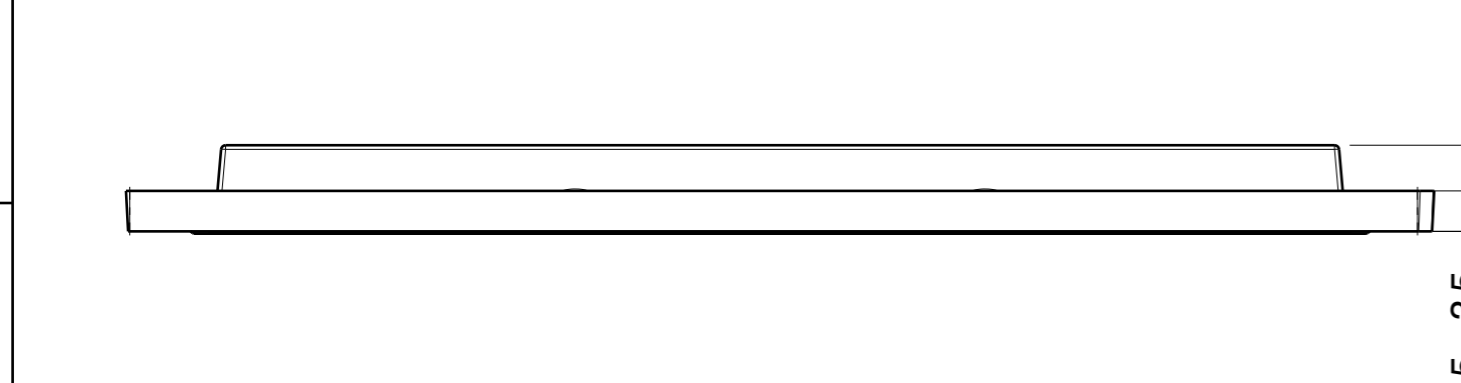
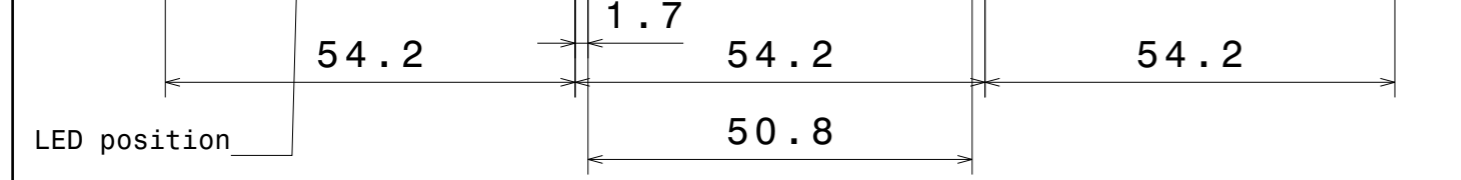
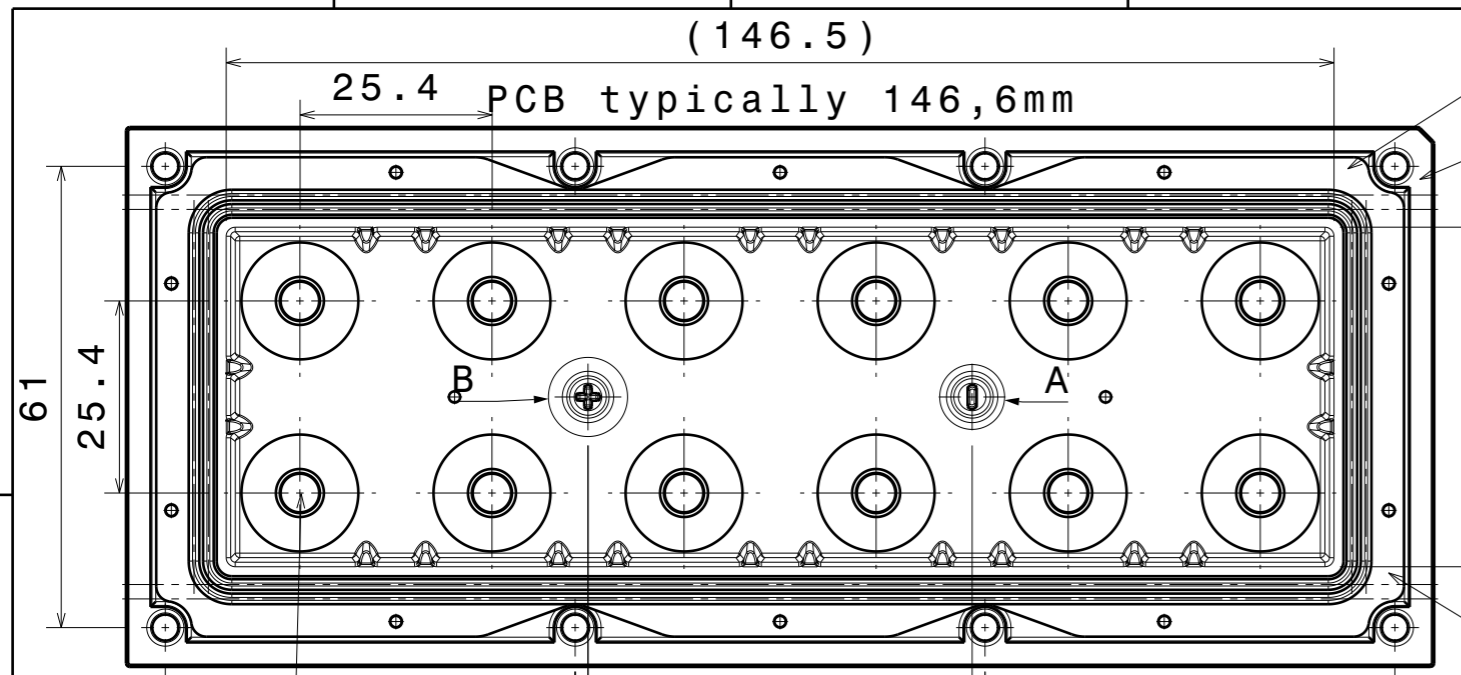
DETAILS

Product Number	CS14895_HB-IP-2X6-RS
Family	HB
Type	Assembly
Color	clear
Diameter	173 + 71,4 mm
Height	11,39 mm
Style	rectang
Optic Material	PMMA
Holder Material	
Fastening	pin, screw
Status	production ready
ROHS Compliant	Yes
Date Updated	7/03/2017

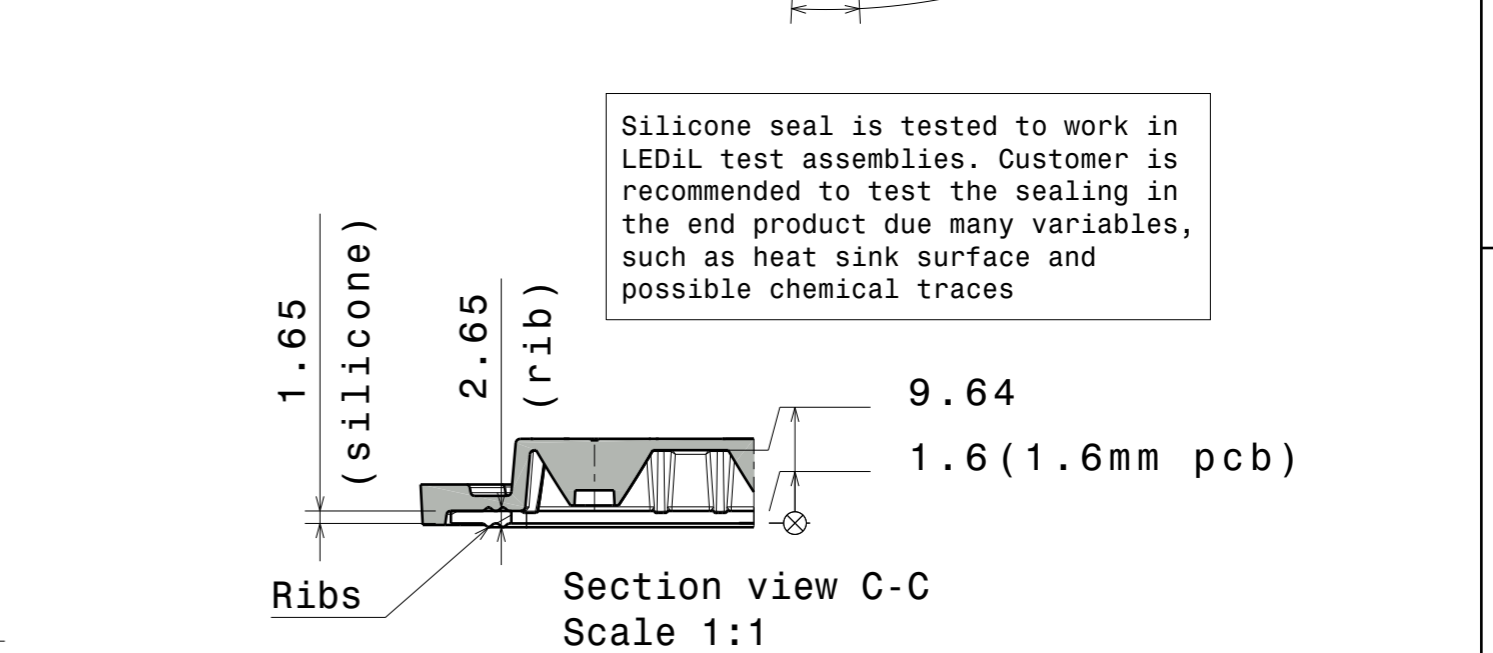


OPTICAL PROPERTIES

LED	Viewing	Light	Effi-		Connector
	Angle	Beam	ciency	cd/lm	
XM-L	21 deg	Real spot	94 %	5.100	-
XP-G2	13 deg	Real spot	94 %	10.600	-
XP-L	20 deg	Real spot	93 %	5.400	-
XP-L2	22 deg	Real spot	93 %	4.100	-
H35C1 (LEMWA33)	sim: 14	Real spot	sim: 93 %	sim: 9.900	-
LUXEON XR-TX (L2T0-xyy012M)	14 deg	Real spot	92 %	10.120	-
LUXEON T	15 deg	Real spot	94 %	8.800	-
NVSxE21A	13 deg	Real spot	94 %	7.950	-
Oslon Square Gen3	sim: 12	Real spot	sim: 90 %	sim: 14.000-	-
Duris P8	sim: 12	Real spot	sim: 89 %	sim: 13.000-	-
Z5M1/Z5M2	14 deg	Real spot	94 %	10.000	-
Z8Y22P	17 deg	Real spot	92 %	6.600	-



Wiring:
PCB is fully sealed between the lens with silicone seal and the heatsink. Wiring needs to be done through the PCB and heatsink to maintain high IP rating.



Silicone seal is tested to work in LEDiL test assemblies. Customer is recommended to test the sealing in the end product due many variables, such as heat sink surface and possible chemical traces

INDEX	PART NO	DESCRIPTION	MATERIAL	COLOUR
1	C14018	2X6-SEAL25	Silicone	
2	C14887	HB-IP-2X6-RS	PMMA	clear

Tolerances if not otherwise shown
According to DIN ISO 2768-1
Linear measures:
up to 30mm class M, otherwise class C
According to DIN ISO 2768-2
Form and position: class L

LEDiL Ledil Oy
Salorankatu 10
FIN 24240 SALO
Finland

THIRD ANGLE PROJECTION:

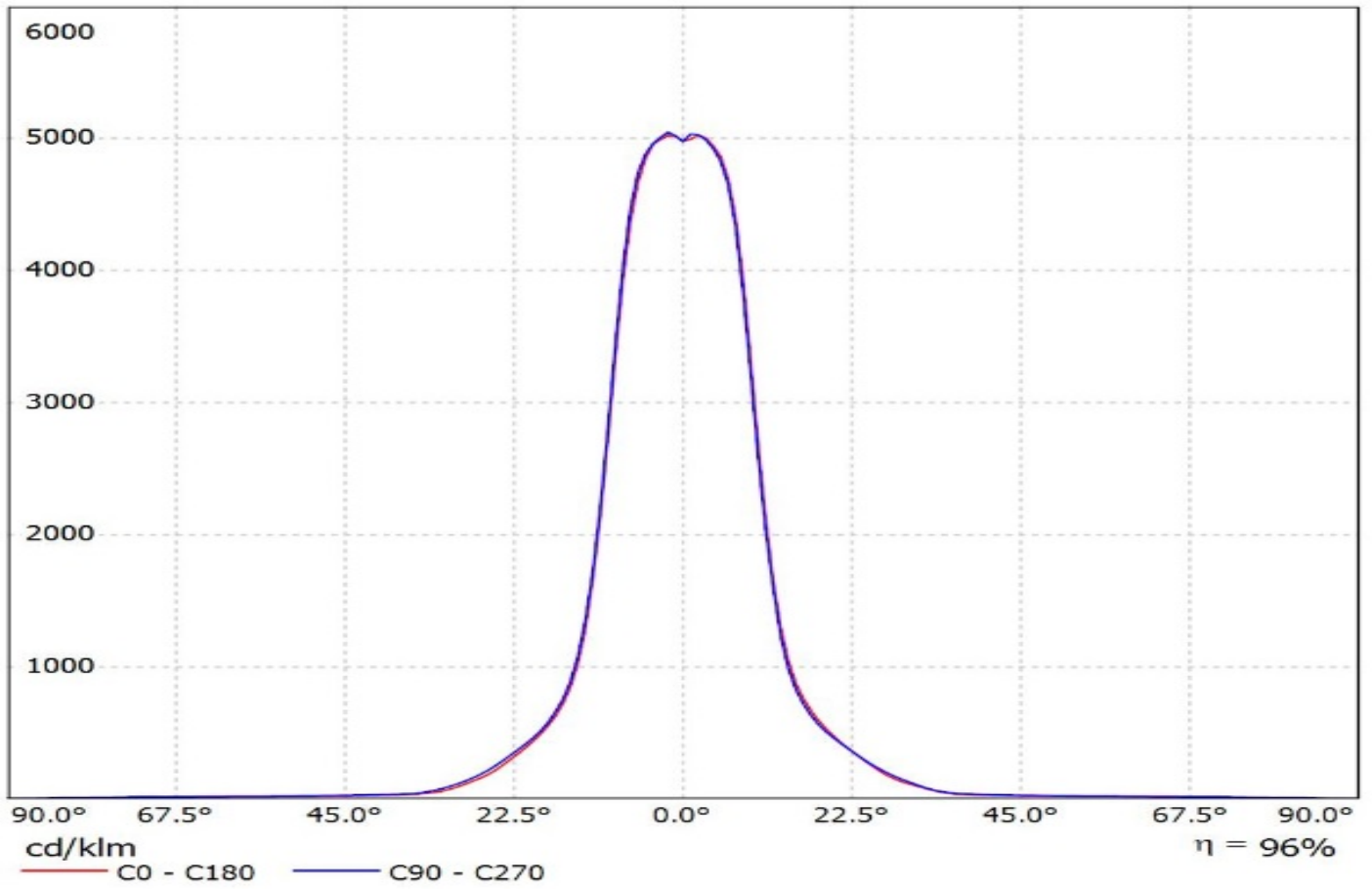
This drawing is the property of LEDiL Oy. It may not be reproduced, copied or communicated without a written agreement with LEDiL Oy.

DRAWING TITLE
CS14895_HB-IP-2X6_Mechanical model

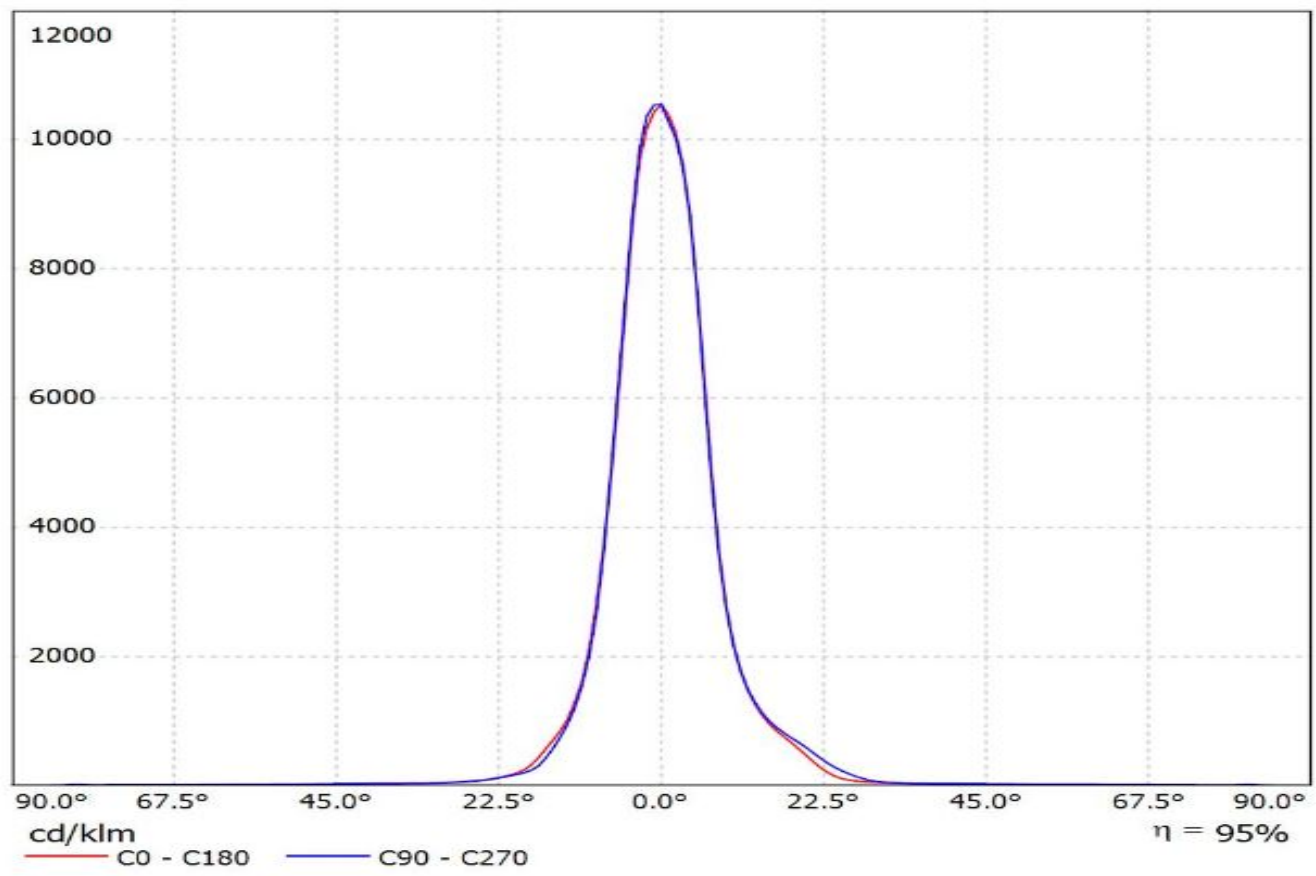
SIZE	PART NUMBER		
A3	CS14895		
SCALE	1:1	WEIGHT	58,8 g
SHEET		1/1	

Luminaire: LEDiL Oy CS14895_HB-IP-2X6-RS_(XM-L)

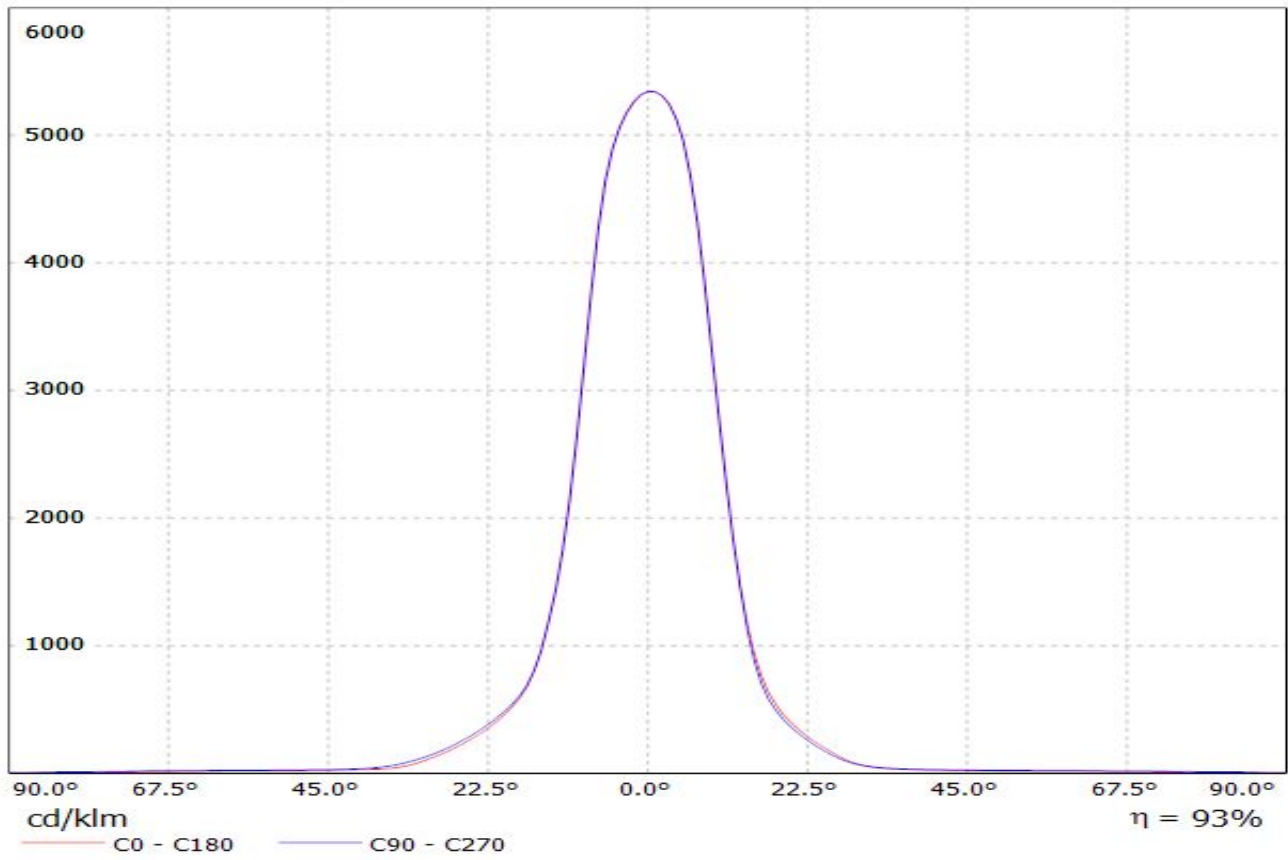
Lamps: 1 x Cree_XM-L_(XMLAWT-00-0000-000LT20E7)_980.828lm@250mA_P=8.1232W_I=0.250A



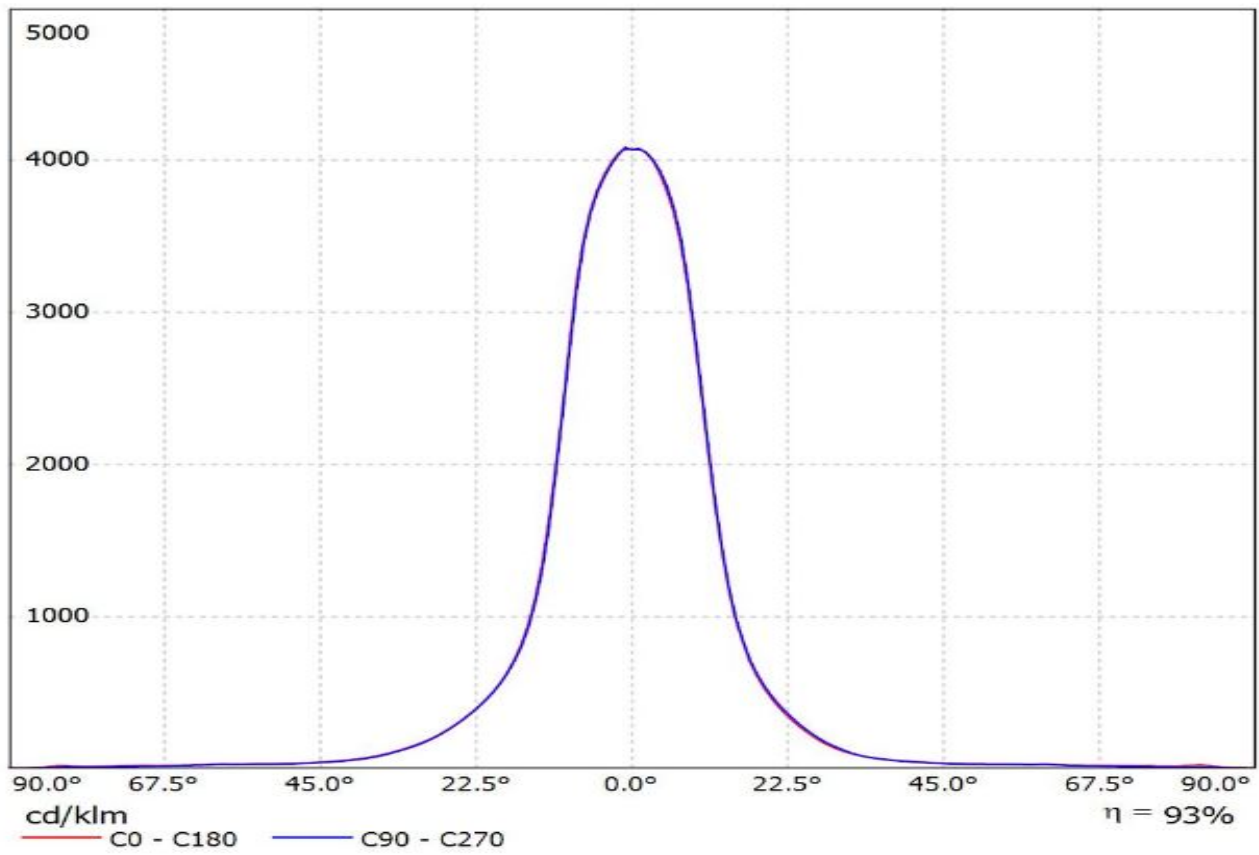
Luminaire: LEDiL Oy CS14895_HB-IP-2X6-RS
Lamps: 1 x Cree_XP-G2_1235.27lm@250mA_P=8.6001W_I=0.25A



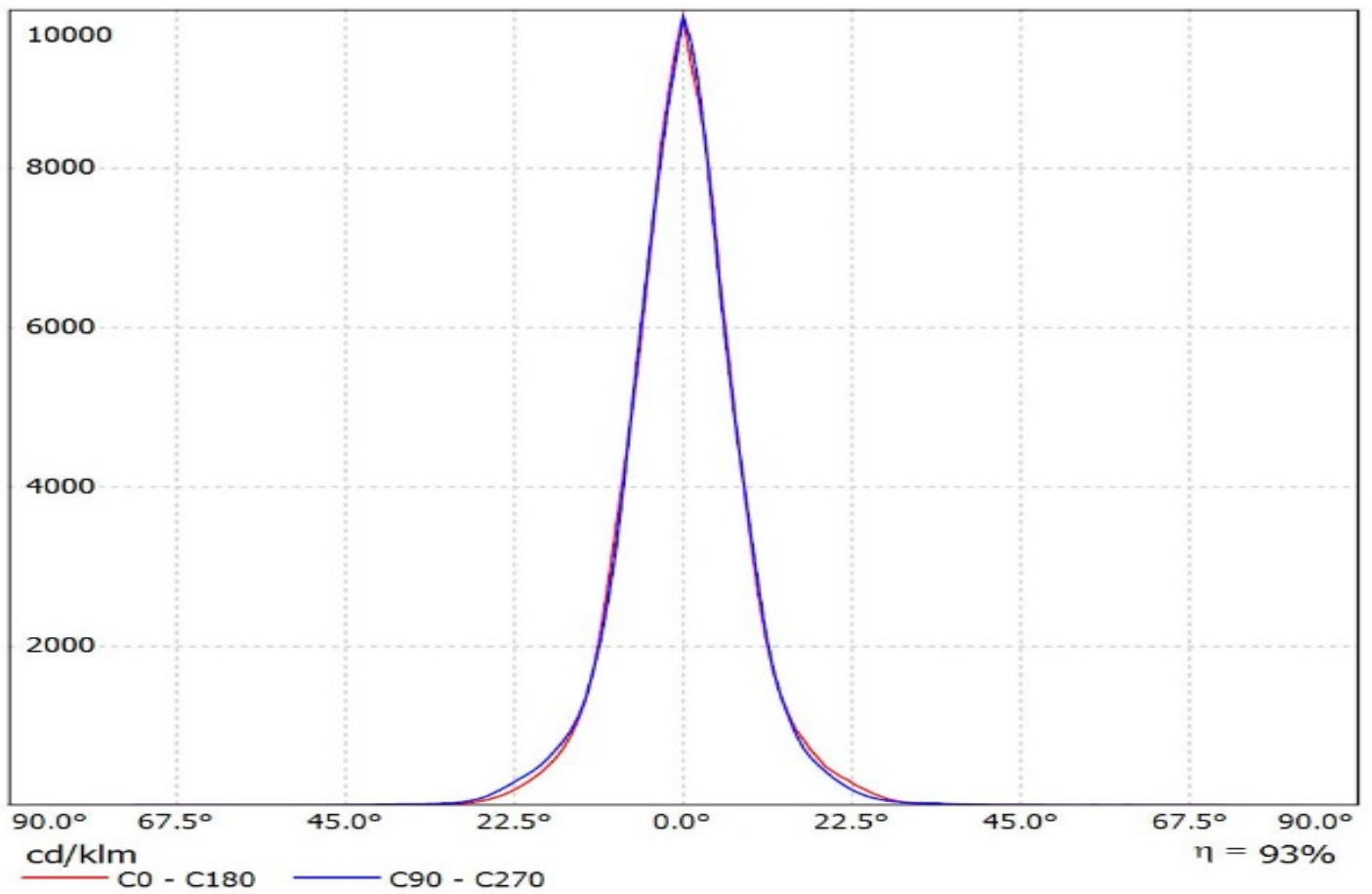
Luminaire: LEDiL Oy CS14895_HB-IP-2X6-RS_(XP-L)
Lamps: 1 x Cree_XP-L_(XPLAWT-0-7A3-U50-0H-0001)_1258.85lm@250mA_P=8.27562W_I=0.250A



Luminaire: Ledil CS14895_HB-IP-2X6-RS_(XP-L2)
Lamps: 1 x Cree_XP-L2_2x6_1659.4lm@250mA_P=8.22525W_I=0.25A

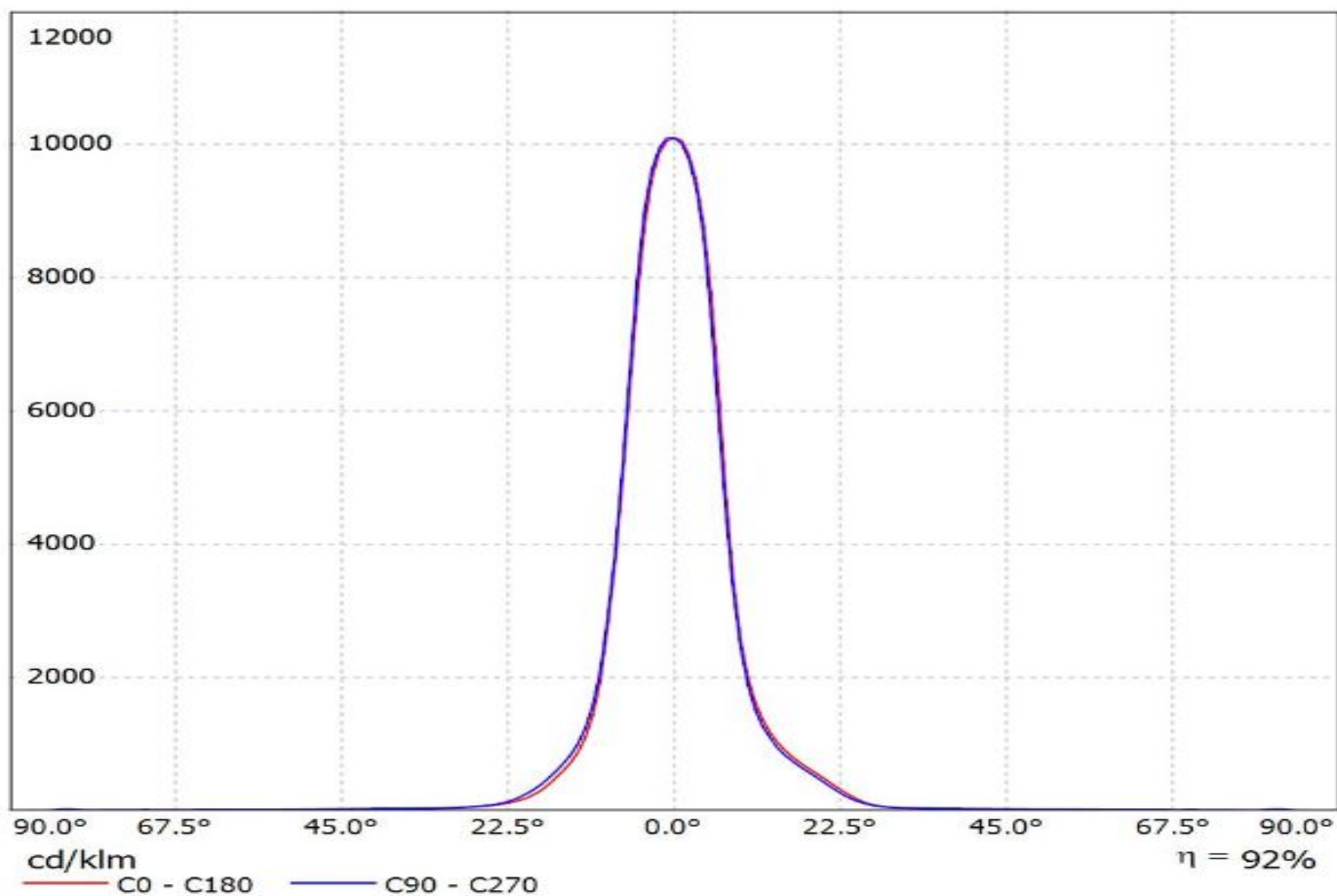


Luminaire: Ledil Oy CS14895_HB-IP-2X6-RS_(H35C1)_SIMULATED
Lamps: 1 x LG H35C1



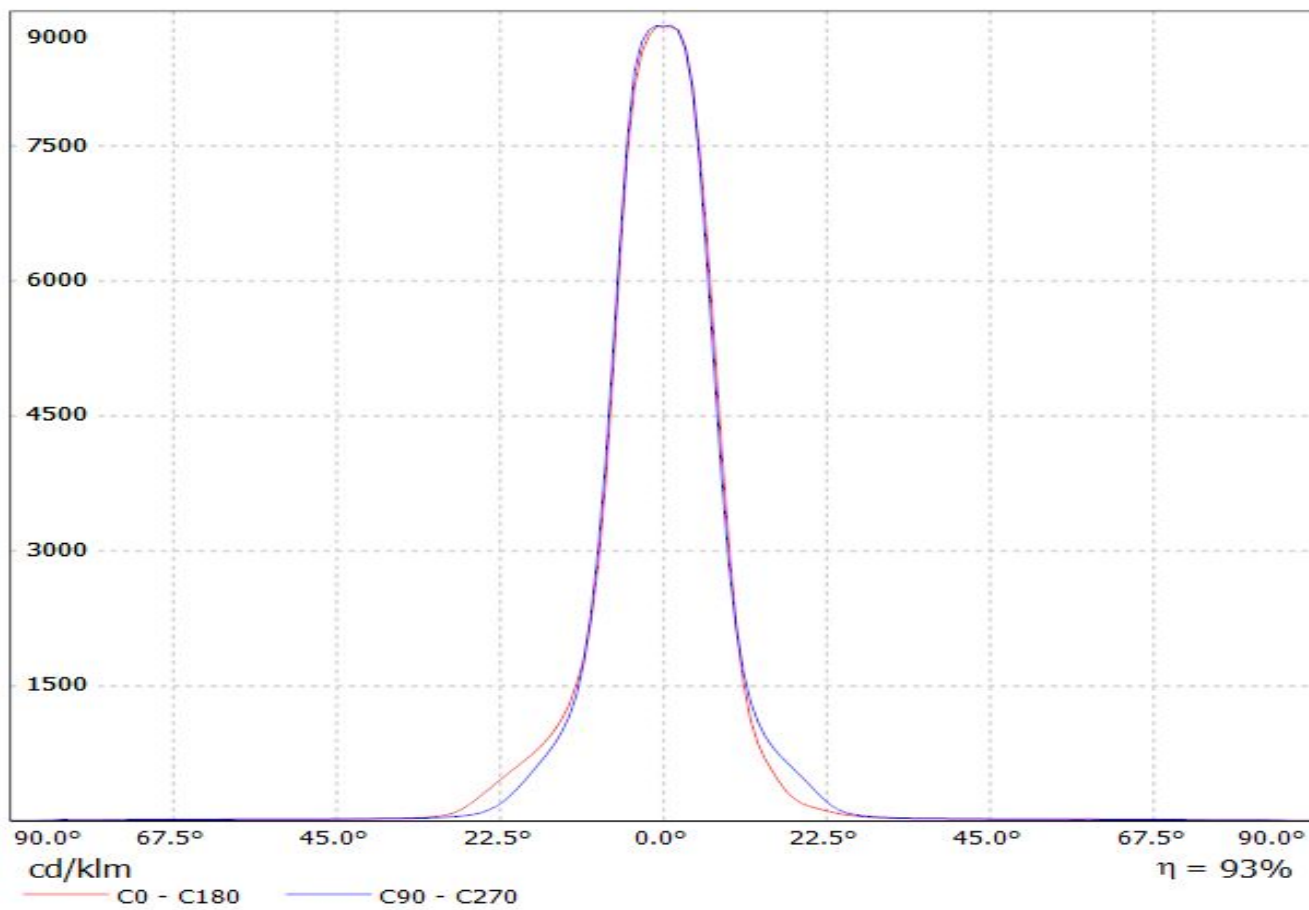
Luminaire: Ledil CS14895_HB-IP-2X6-RS_(XR-TX)

Lamps: 1 x Luxeon_XR-TX_1376.41lm@250mA_P=8.3920W_I=0.250A

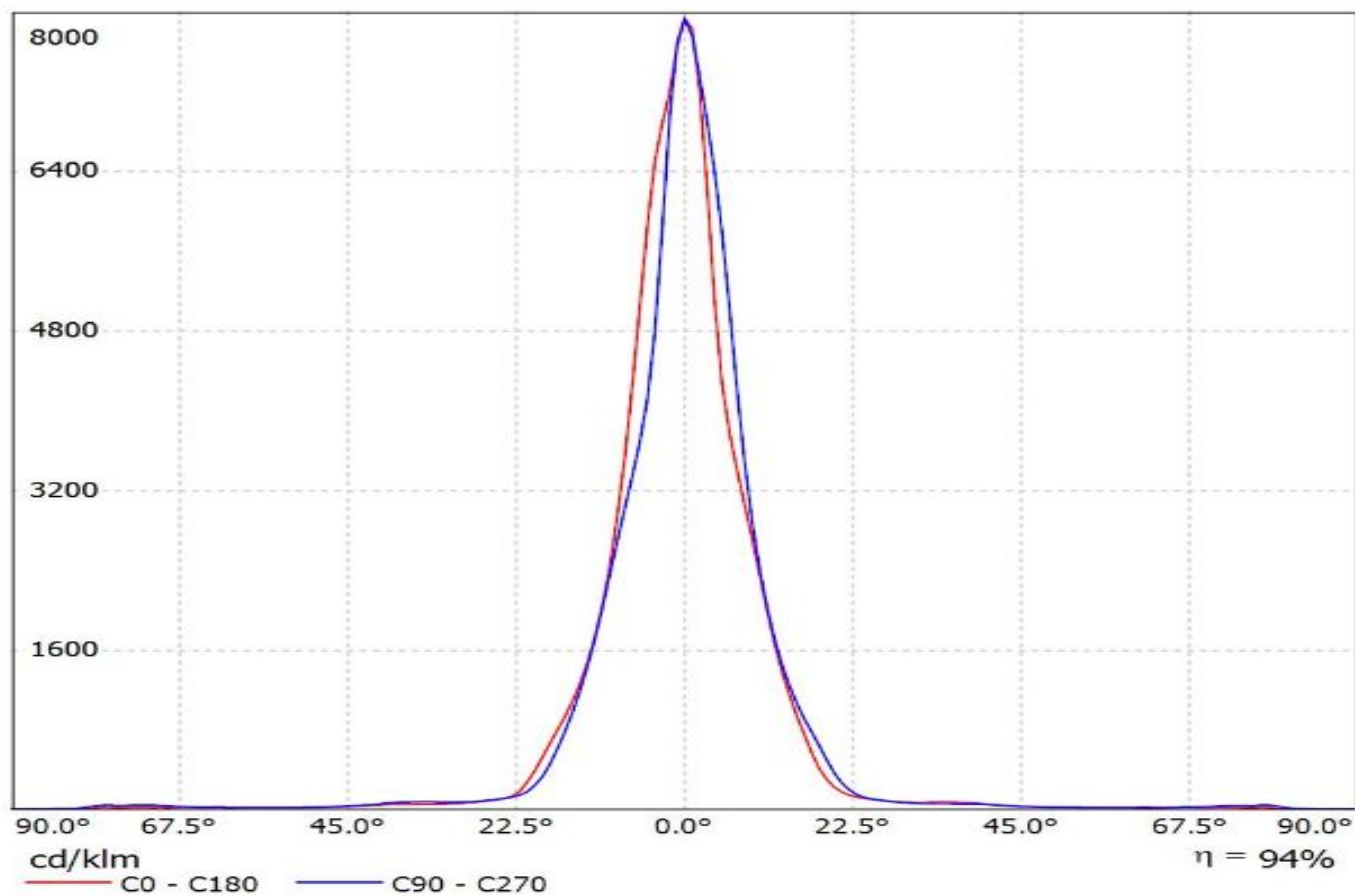


Luminaire: LEDiL Oy CS14895_HB-IP-2X6-RS_(Luxeon_T)

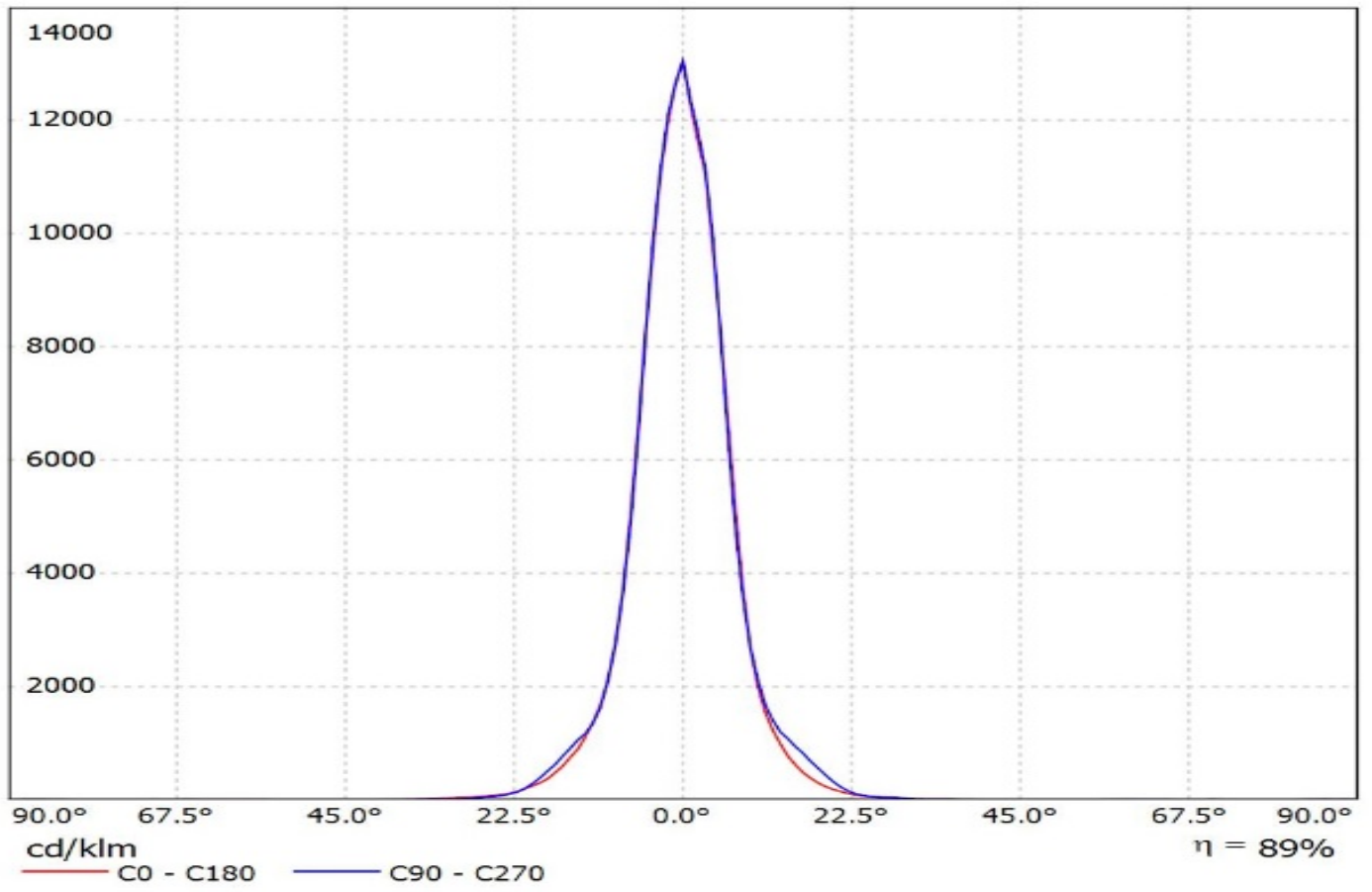
Lamps: 1 x Luxeon_T_(LXH8-FW30)_1040.4lm@250mA_P=8.49754W_I=0.250A



Luminaire: LEDiL Oy CS14895_HB-IP-2X6-RS (Nichia E21)
Lamps: 1 x Nichia_NVSWE21A_583.232lm@600mA_P=3.51742W_I=0.600A

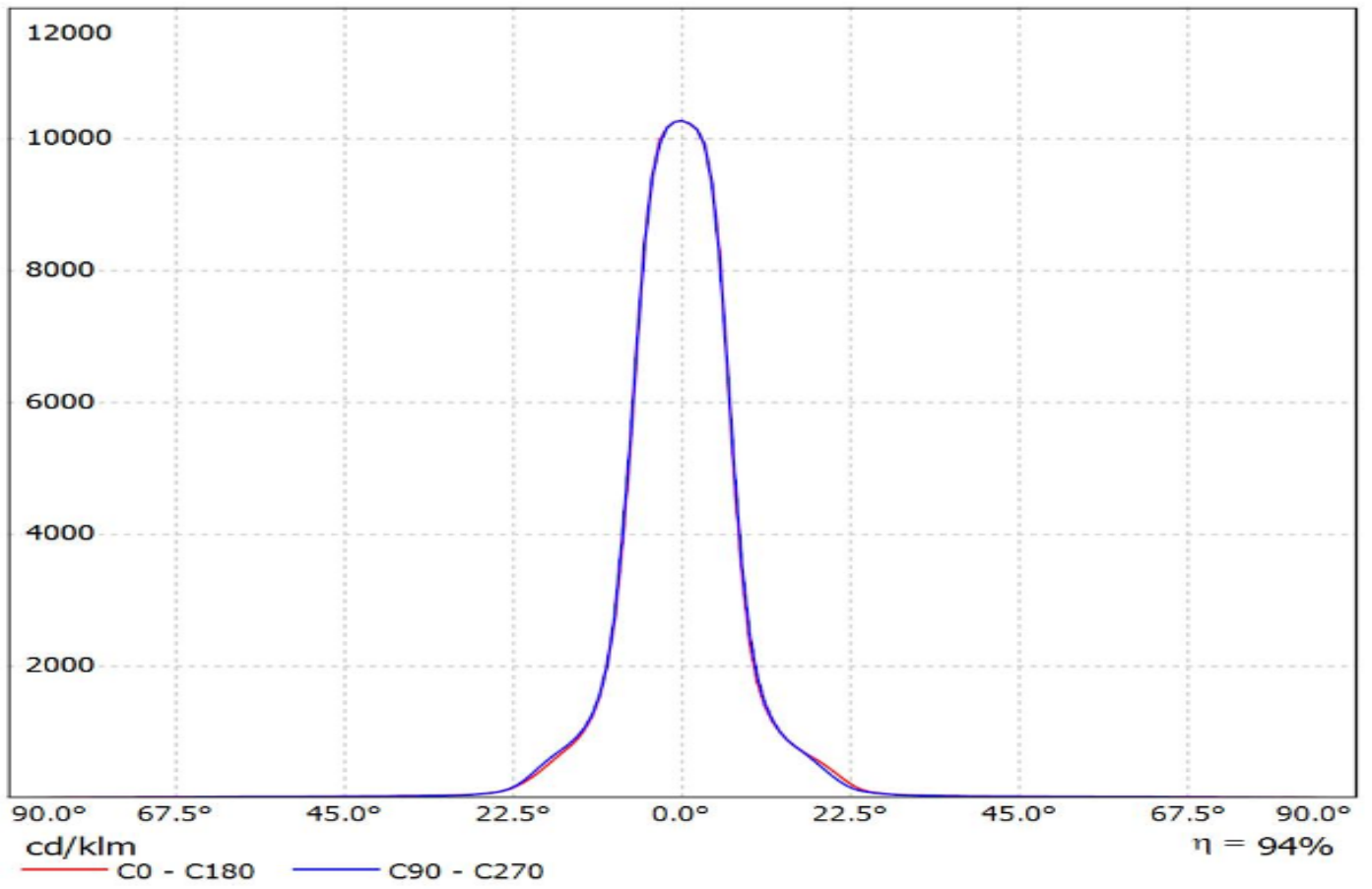


Luminaire: Ledil Oy CS14895_HB-IP-2X6-RS_(Duris_P8)_SIMULATED
Lamps: 1 x OSram Duris P8



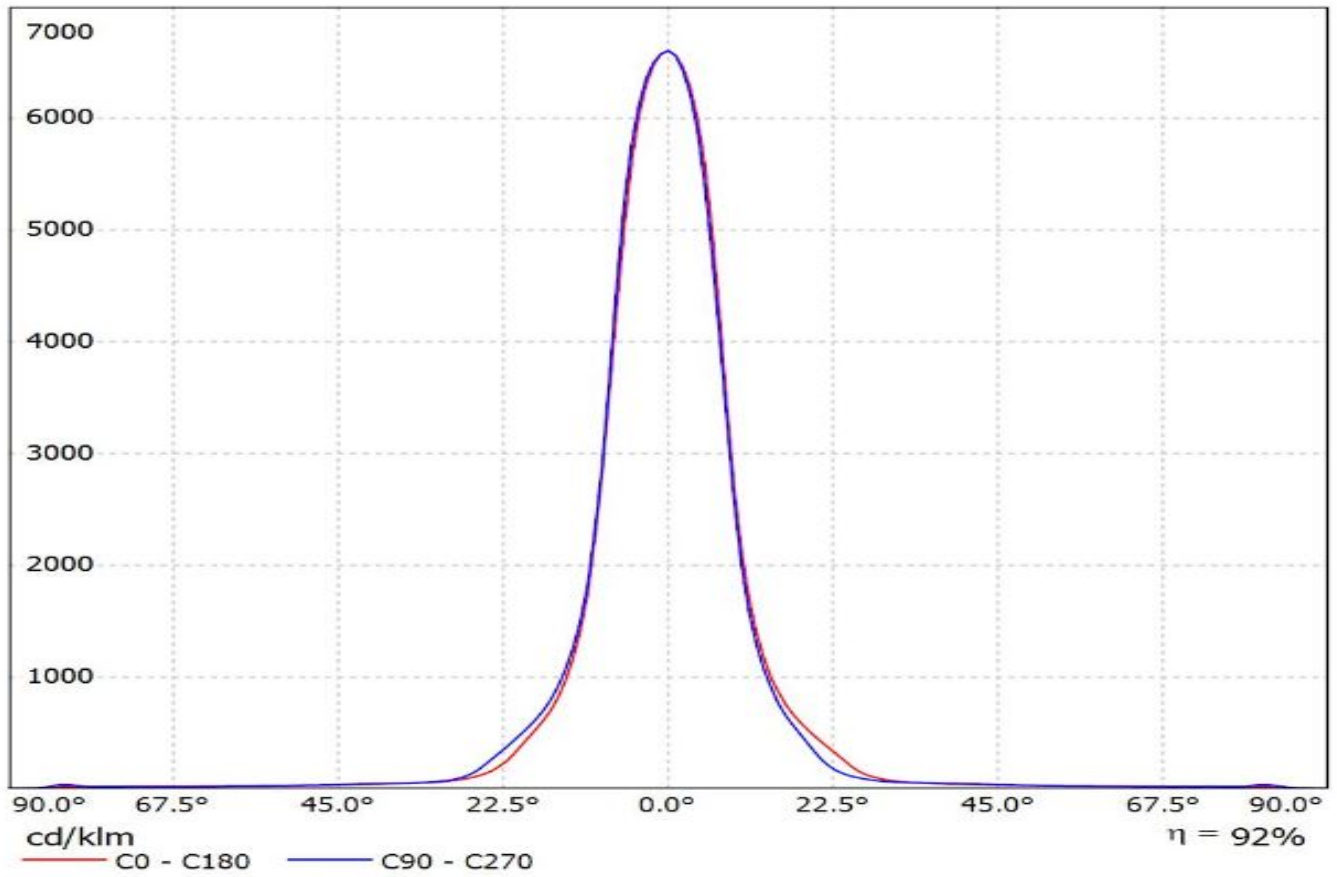
Luminaire: LEDiL Oy CS14895_HB-IP-2X6-RS_(Z5M2)

Lamps: 1 x Seoul_Z5M2_2x6_(SZ5-M2-W0-00)_1510.16lm@250mA_P=8.57039W_I=0.25A



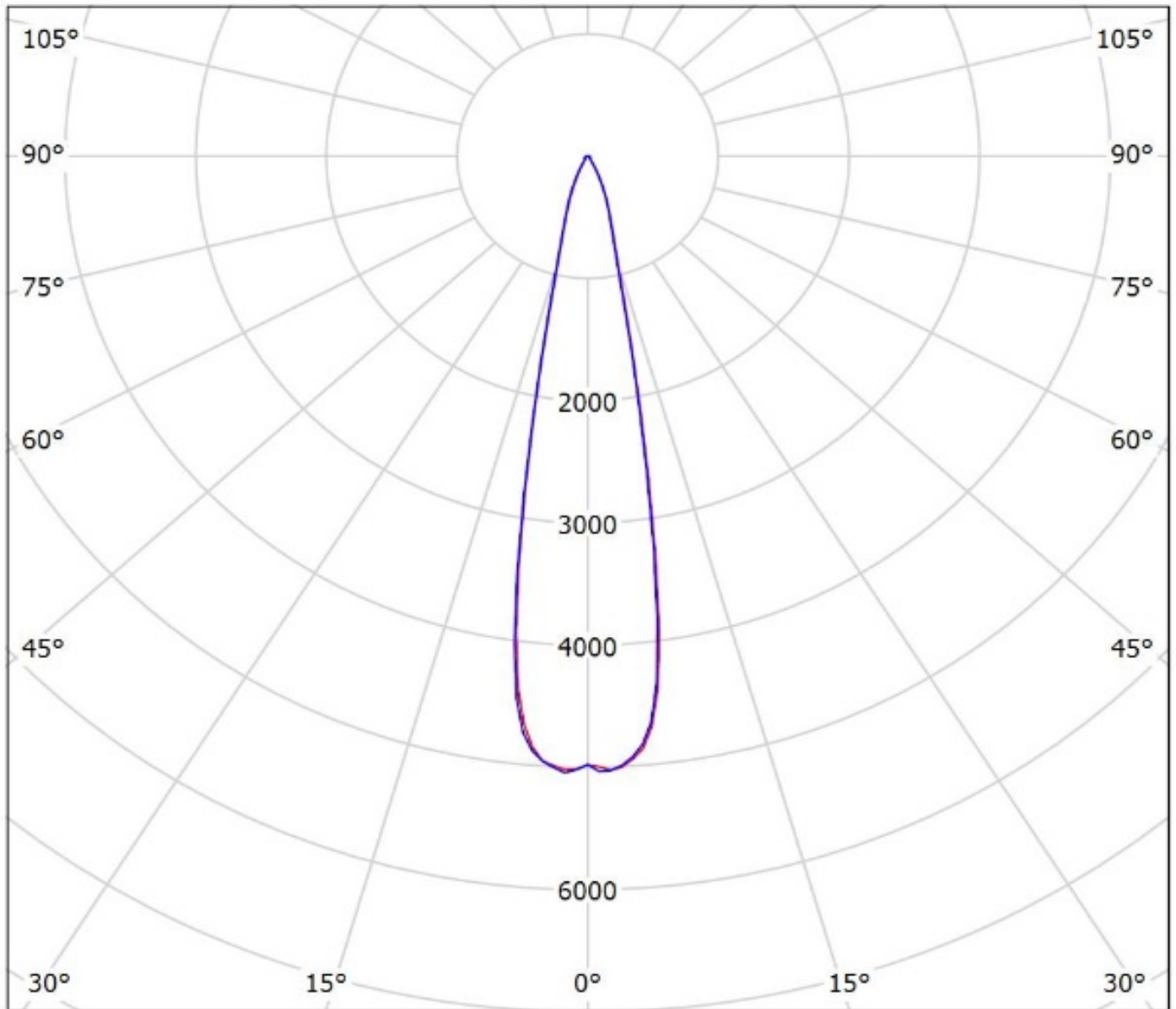
Luminaire: Ledil CS14895_HB-IP-2X6-RS_(Z8Y22_PLUS)

Lamps: 1 x Seoul_Z8Y22_PLUS_2X6_(SZ8-Y22-W0-C7P)1489.65lm@250mA_P=8.30675W_I=0.250A



Luminaire: LEDiL Oy CS14895_HB-IP-2X6-RS_(XM-L)

Lamps: 1 x Cree_XM-L_(XMLAWT-00-0000-000LT20E7)_980.828lm@250mA_P=8.1232W_I=0.250A



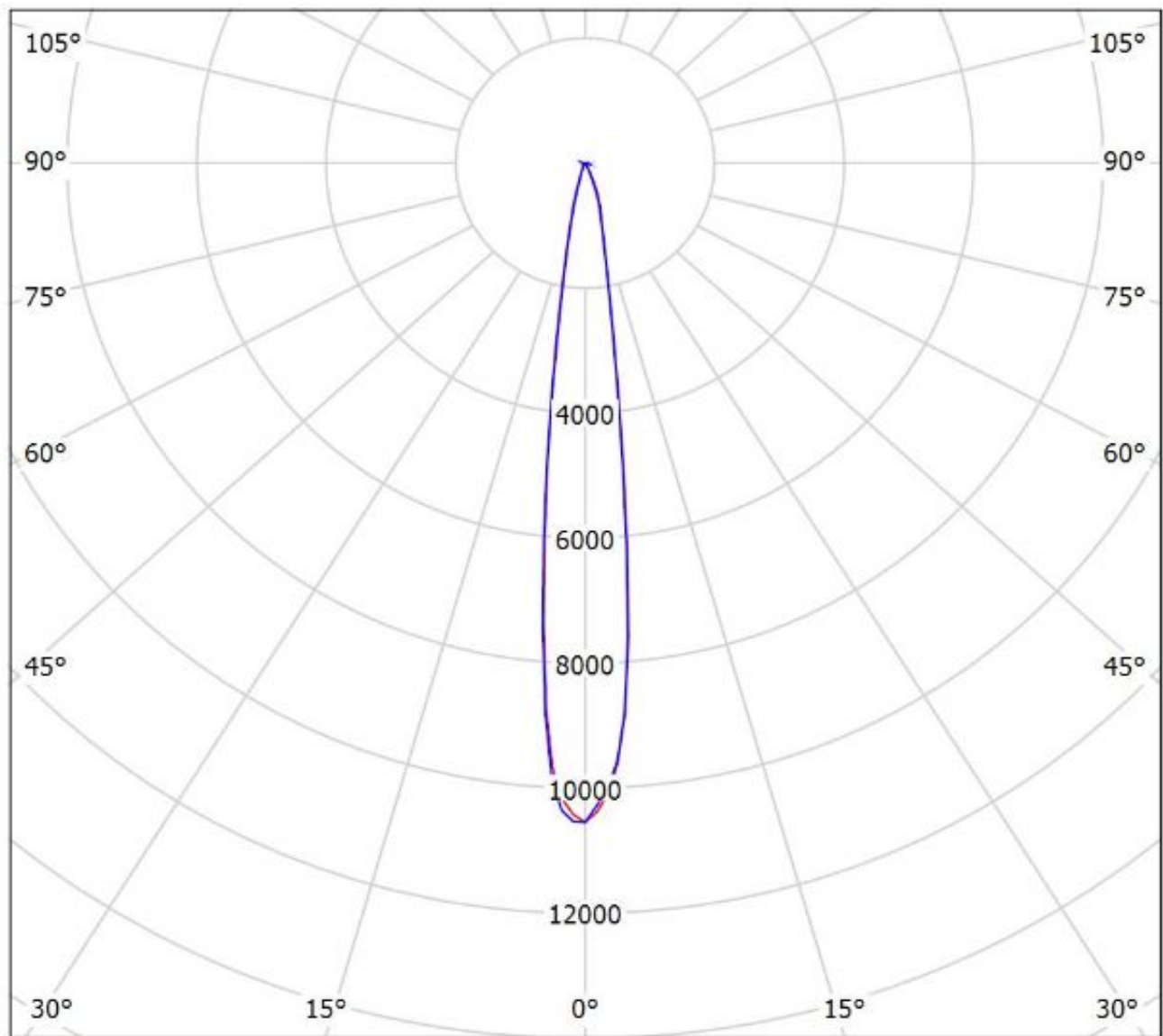
cd/klm

— C0 - C180 — C90 - C270

$\eta = 96\%$

Luminaire: LEDiL Oy CS14895_HB-IP-2X6-RS

Lamps: 1 x Cree_XP-G2_1235.27lm@250mA_P=8.6001W_I=0.25A



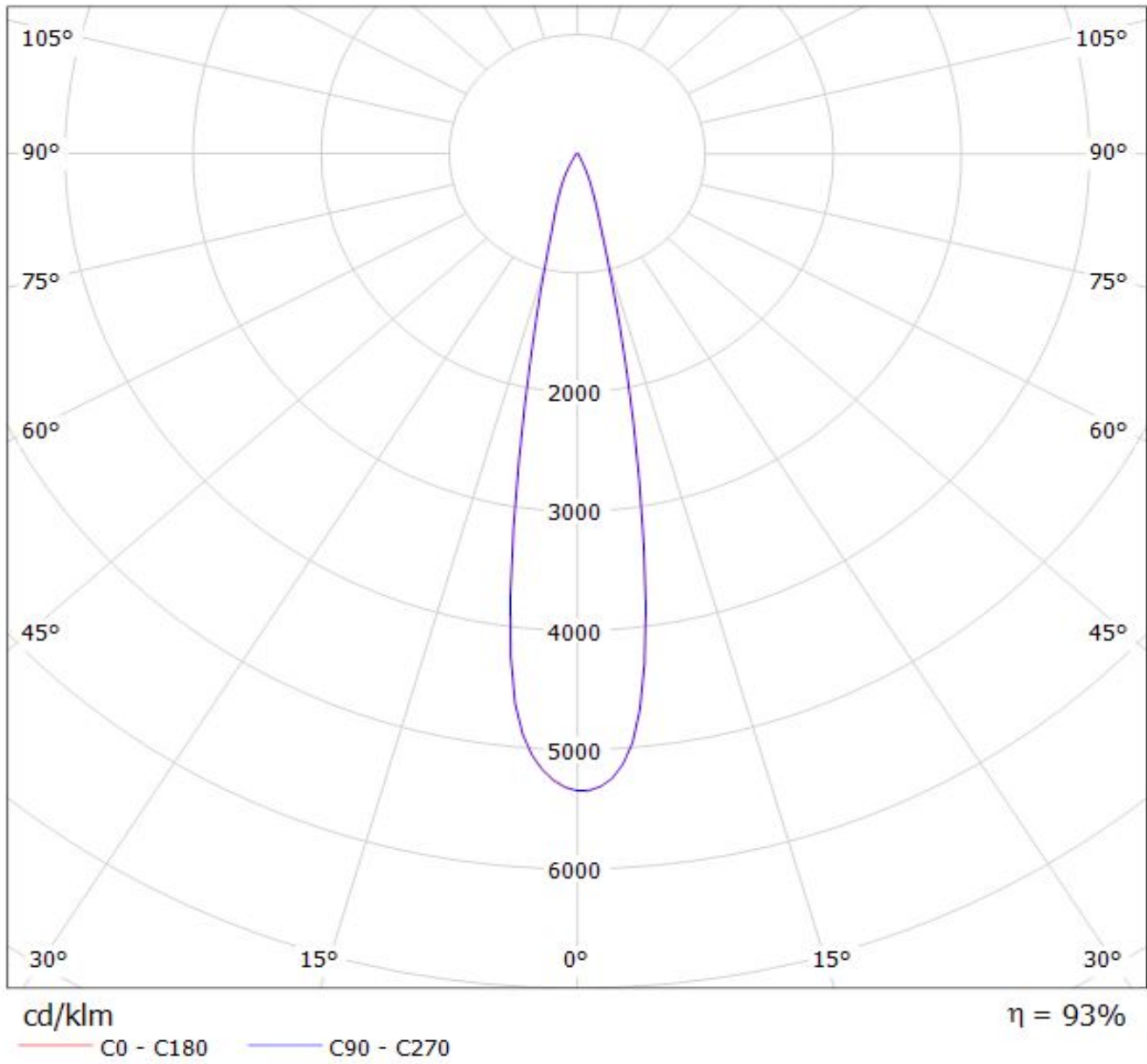
cd/klm

— C0 - C180 — C90 - C270

$\eta = 95\%$

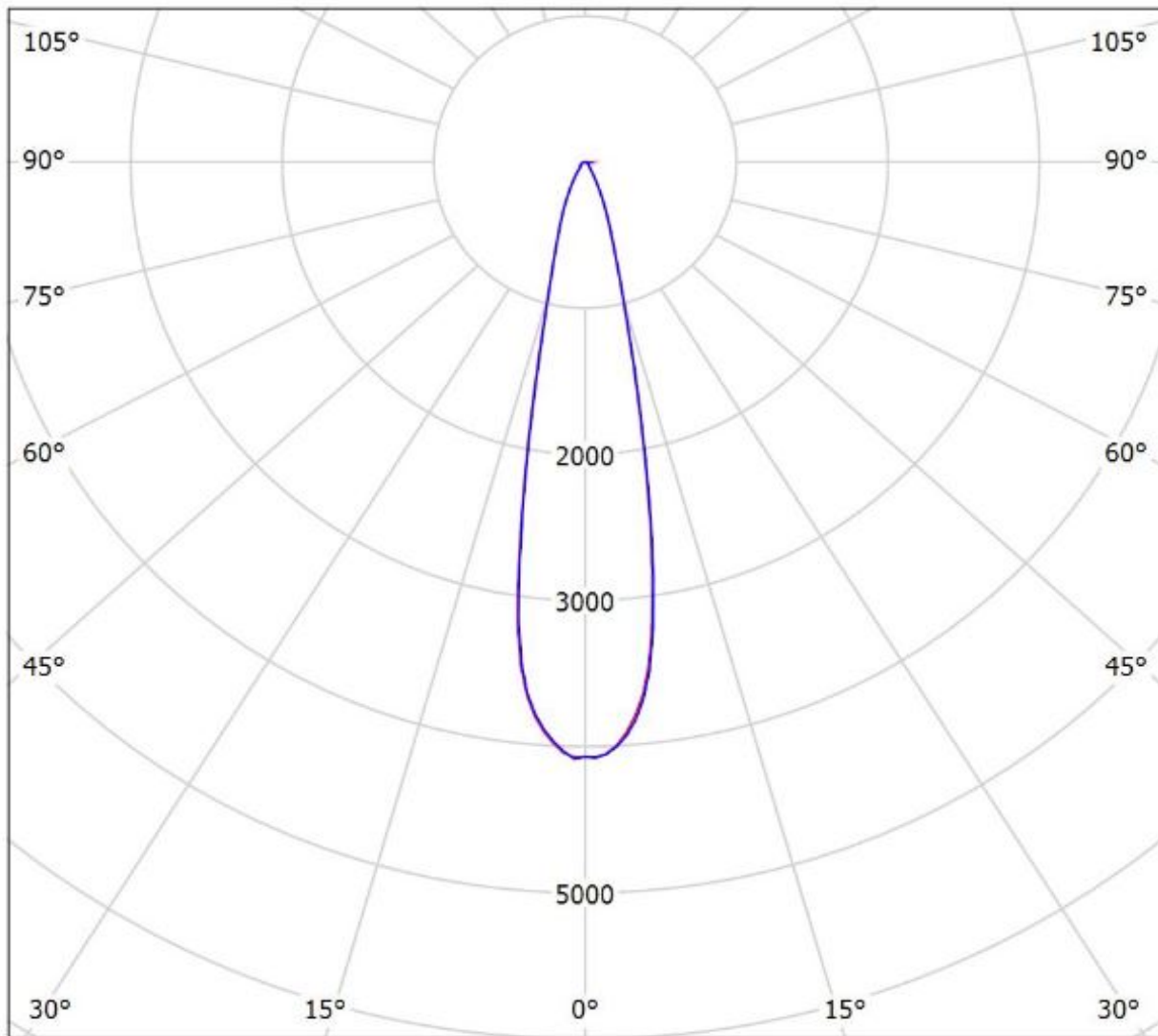
Luminaire: LEDiL Oy CS14895_HB-IP-2X6-RS_(XP-L)

Lamps: 1 x Cree_XP-L_(XPLAWT-0-7A3-U50-0H-0001)_1258.85lm@250mA_P=8.27562W_I=0.250A



Luminaire: Ledil CS14895_HB-IP-2X6-RS_(XP-L2)

Lamps: 1 x Cree_XP-L2_2x6_1659.4lm@250mA_P=8.22525W_η=0.25A



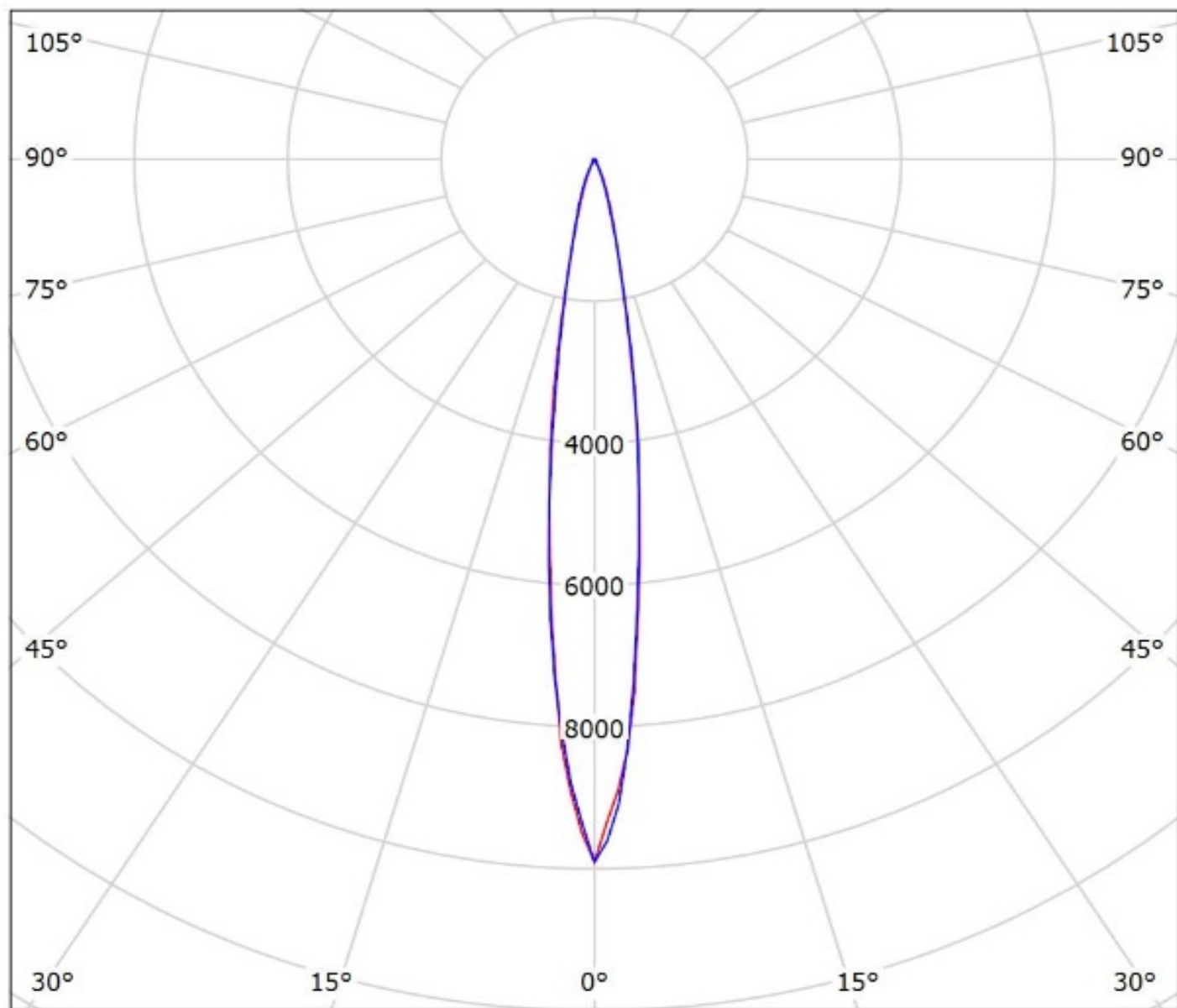
cd/klm

— C0 - C180 — C90 - C270

$\eta = 93\%$

Luminaire: Ledil Oy CS14895_HB-IP-2X6-RS_(H35C1)_SIMULATED

Lamps: 1 x LG H35C1



cd/klm

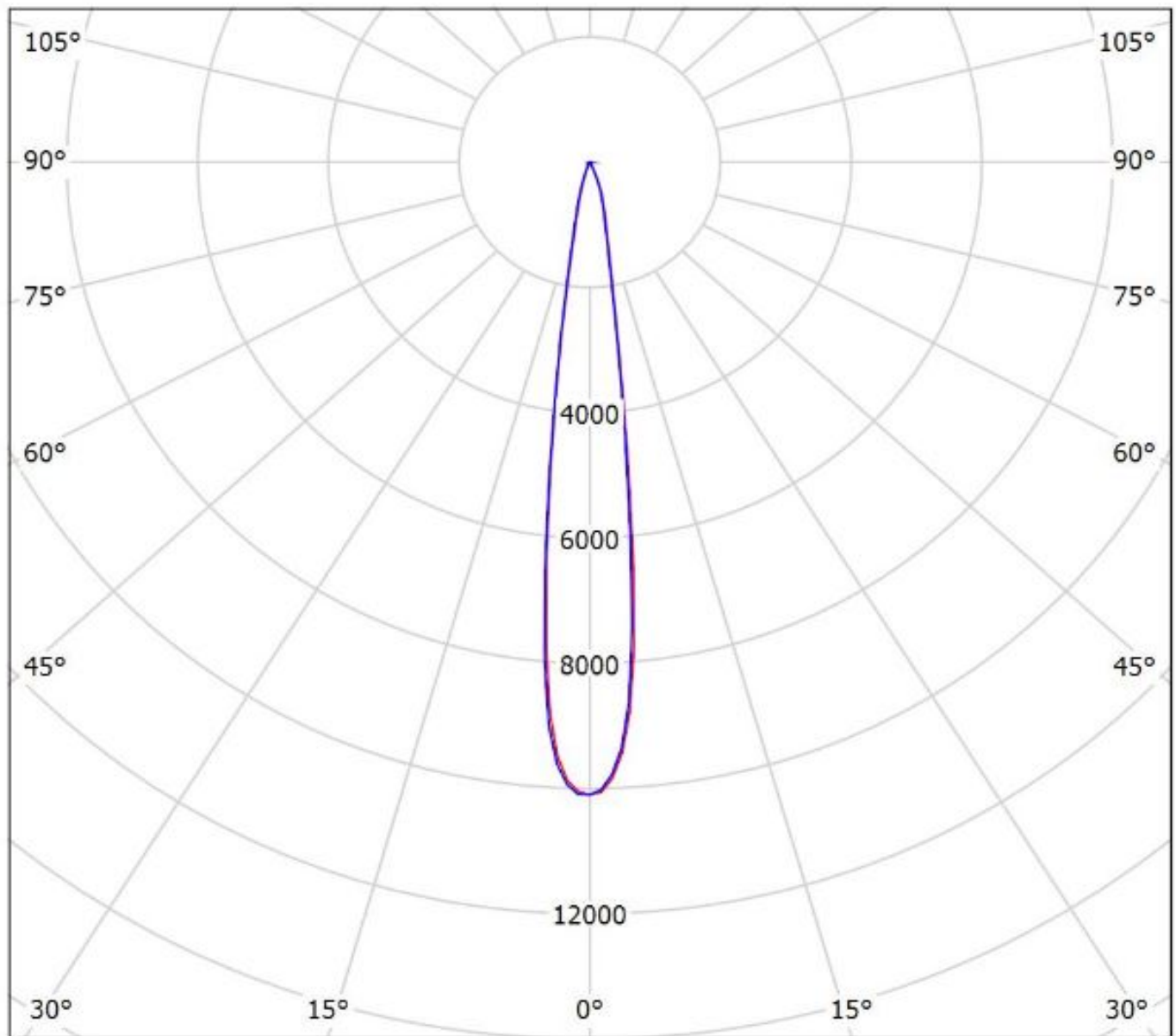
— C0 - C180

— C90 - C270

$\eta = 93\%$

Luminaire: Ledil CS14895_HB-IP-2X6-RS_(XR-TX)

Lamps: 1 x Luxeon_XR-TX_1376.41lm@250mA_P=8.3920W_I=0.250A



cd/klm

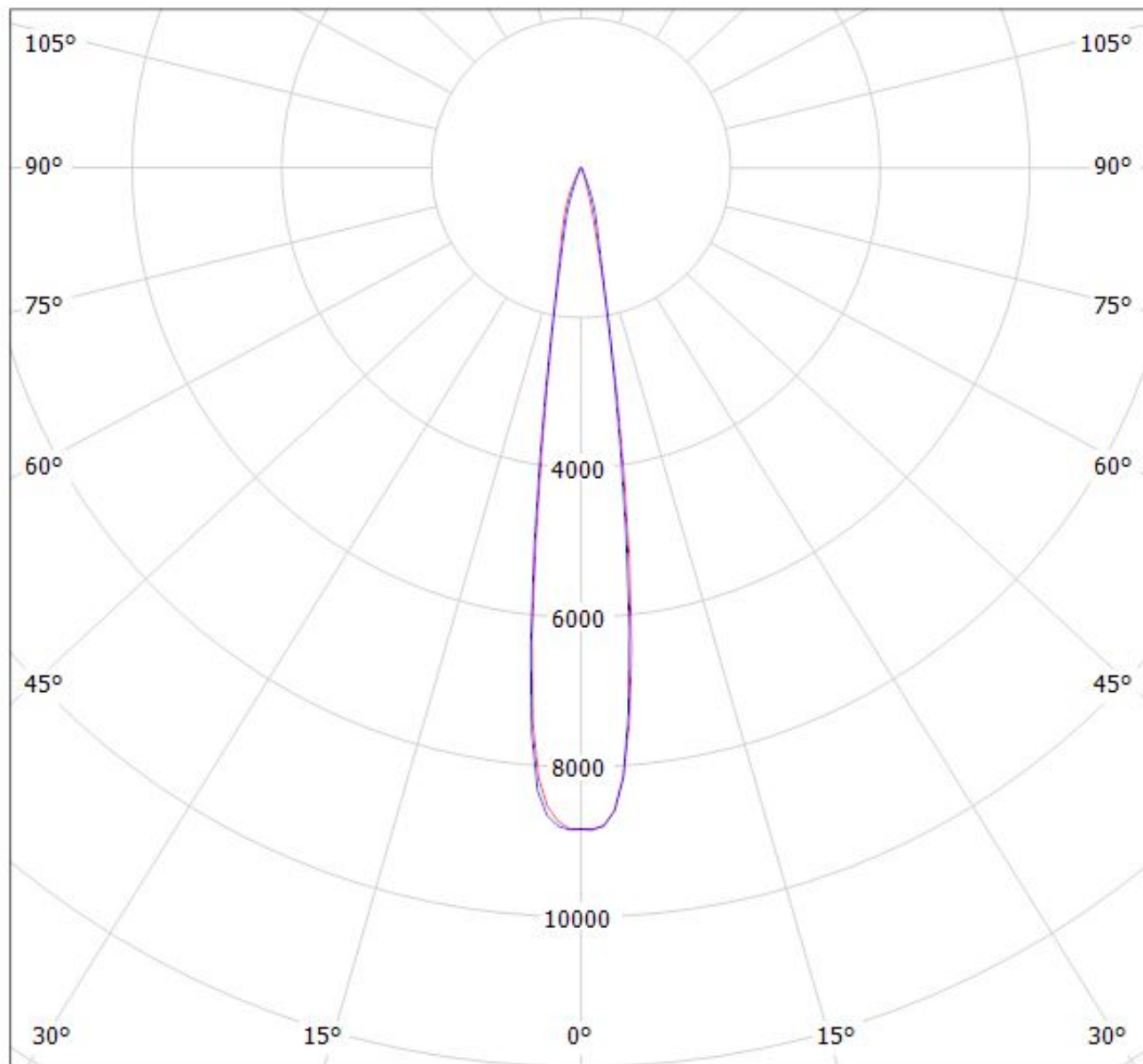
— C0 - C180

— C90 - C270

$\eta = 92\%$

Luminaire: LEDiL Oy CS14895_HB-IP-2X6-RS_(Luxeon_T)

Lamps: 1 x Luxeon_T_(LXH8-FW30)_1040.41lm@250mA_P=8.49754W_I=0.250A



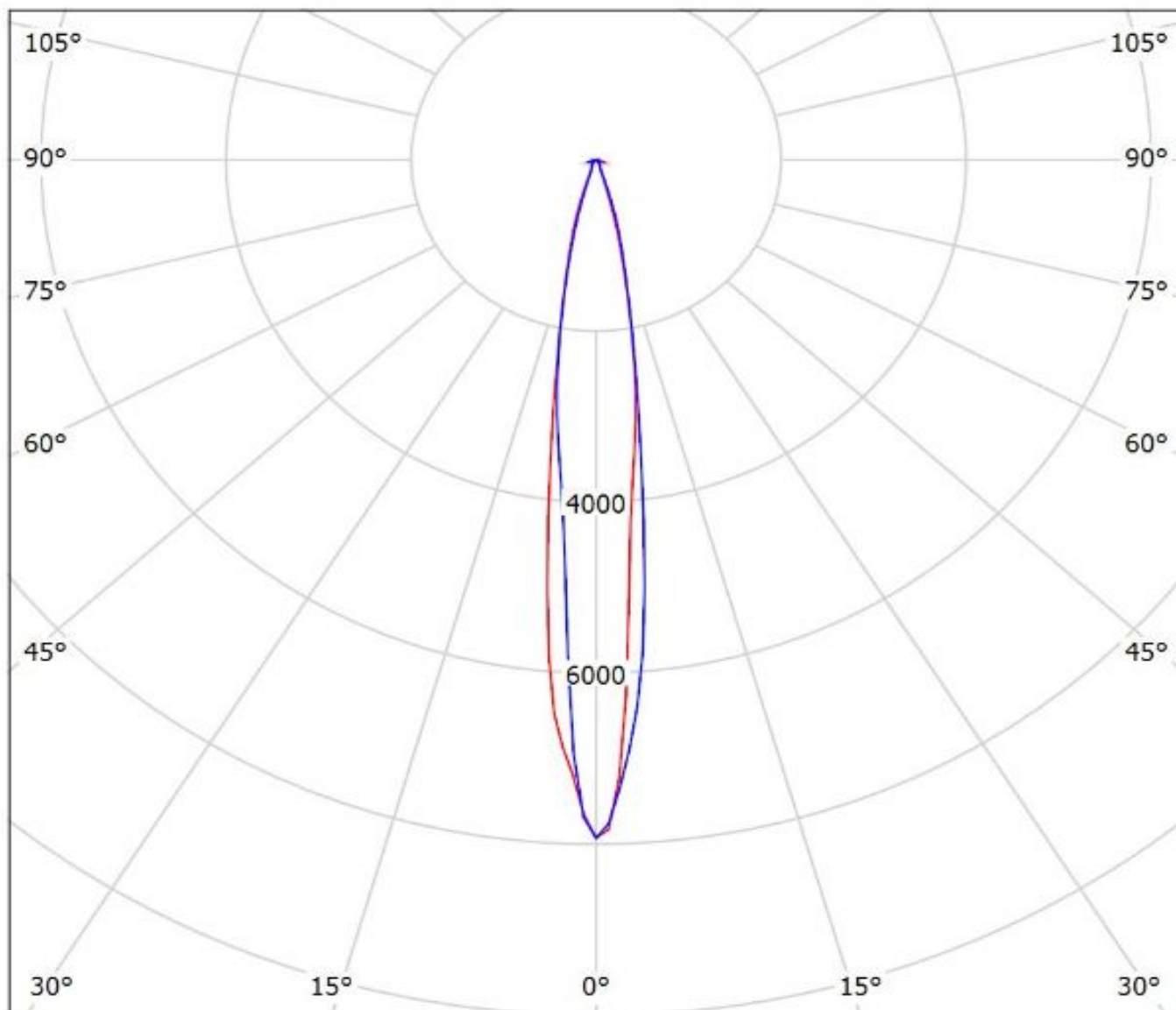
cd/klm

$\eta = 93\%$

— C0 - C180

— C90 - C270

Luminaire: LEDiL Oy CS14895_HB-IP-2X6-RS_(Nichia_E21)
Lamps: 1 x Nichia_NVSWE21A_583.232lm@600mA_P=3.51742W_I=0.600A

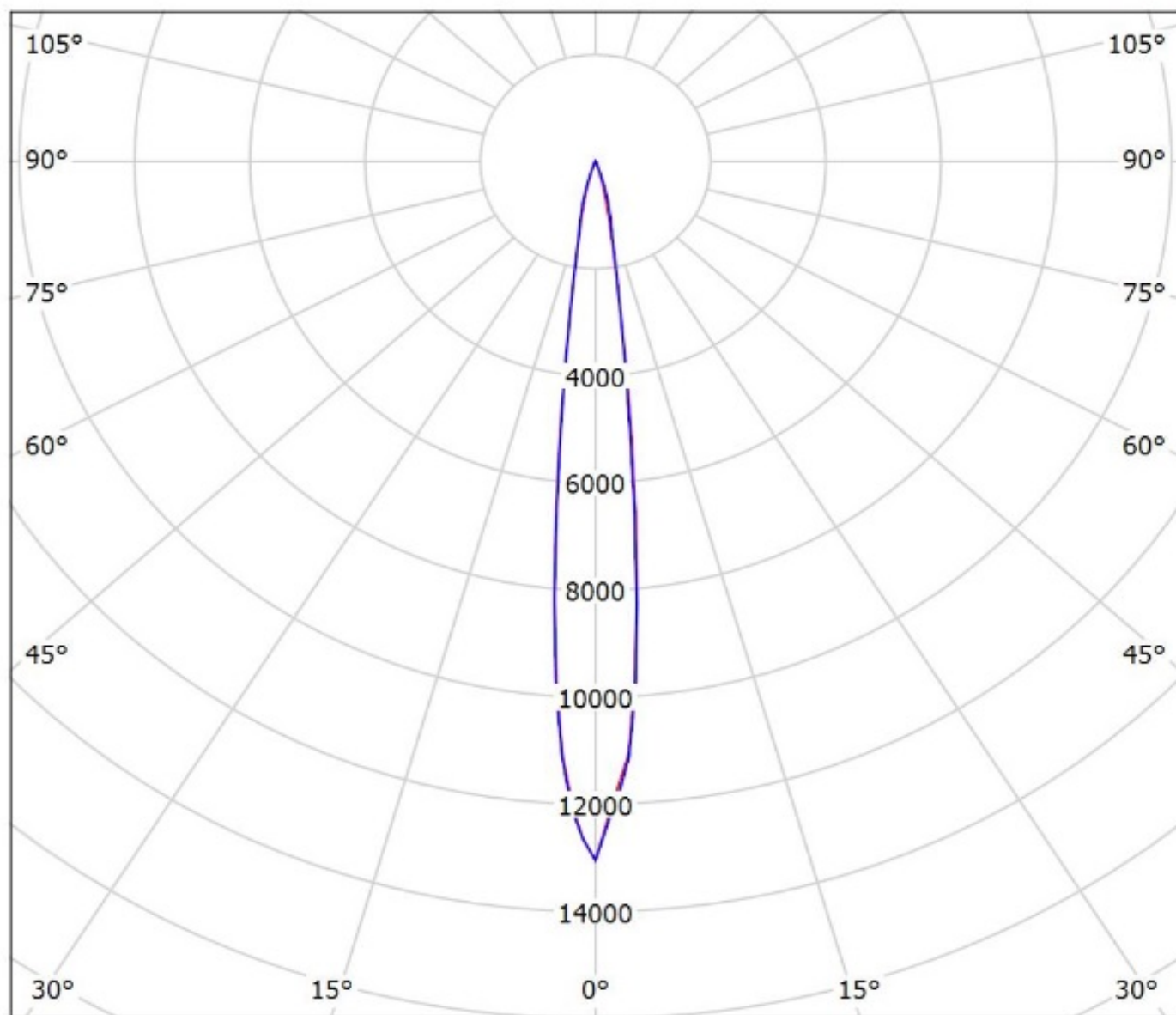


cd/klm

— C0 - C180 — C90 - C270

$\eta = 94\%$

Luminaire: Ledil Oy CS14895_HB-IP-2X6-RS_(Duris_P8)_SIMULATED
Lamps: 1 x OSram Duris P8

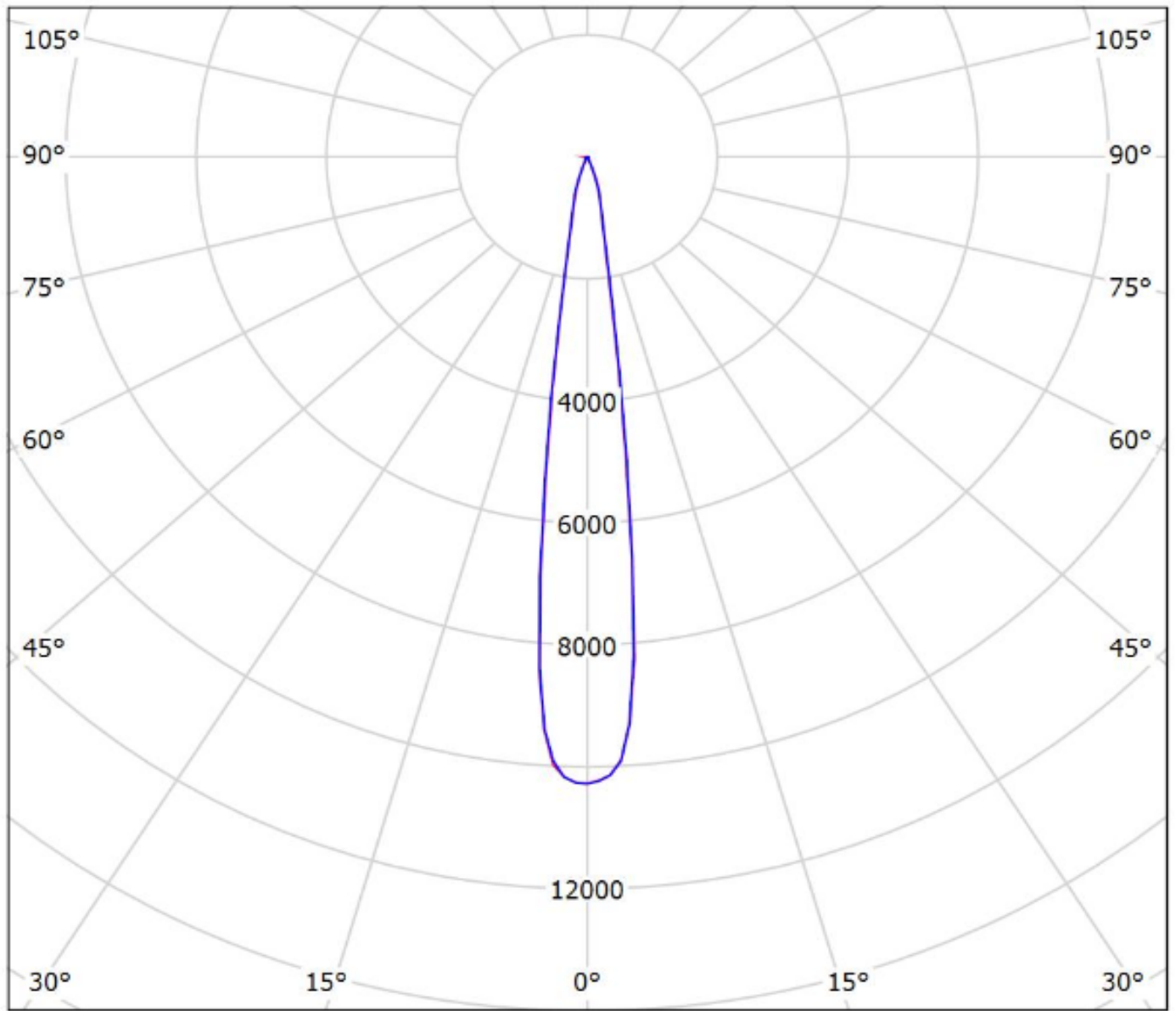


cd/klm
— C0 - C180 — C90 - C270

$\eta = 89\%$

Luminaire: LEDiL Oy CS14895_HB-IP-2X6-RS_(Z5M2)

Lamps: 1 x Seoul_Z5M2_2x6_(SZ5-M2-W0-00)_1510.16lm@250mA_P=8.57039W_I=0.25A



cd/klm

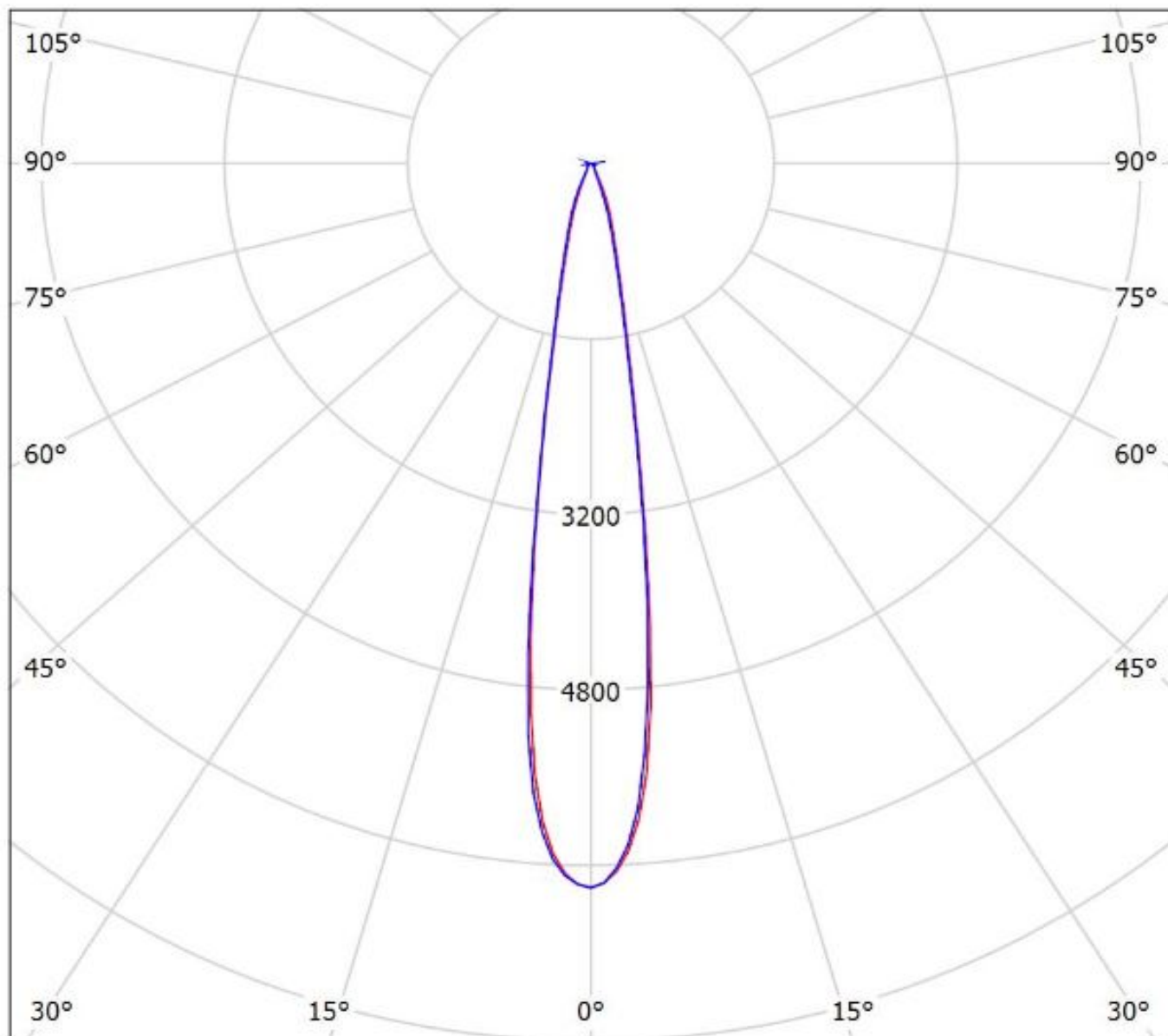
— C0 - C180

— C90 - C270

$\eta = 94\%$

Luminaire: Ledil CS14895_HB-IP-2X6-RS_(Z8Y22_PLUS)

Lamps: 1 x Seoul_Z8Y22_PLUS_2X6_(SZ8-Y22-W0-C7P)1489.65lm@250mA_P=8.30675W_I=0.250A



cd/klm

— C0 - C180

— C90 - C270

$\eta = 92\%$

NOTE: The typical divergence will be changed by different color, chip size and chip position tolerance. The typical total divergence is the full angle measured where the luminous intensity is half of the peak value.