

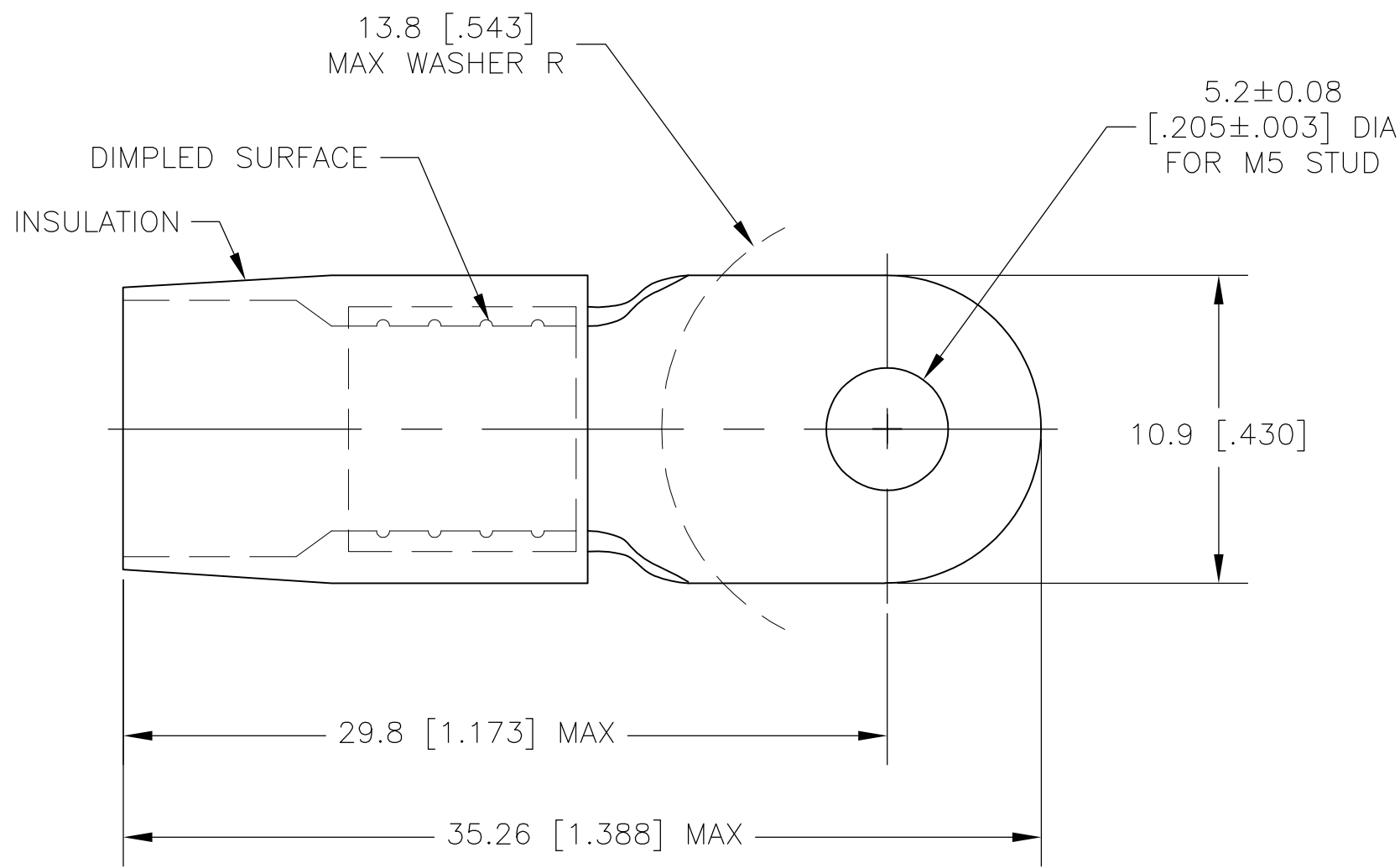
THIS DRAWING IS UNPUBLISHED. RELEASED FOR PUBLICATION  
 © COPYRIGHT BY TYCO ELECTRONICS CORPORATION. ALL RIGHTS RESERVED.

LOC	DIST	REVISIONS					
G	14	P	LTR	DESCRIPTION	DATE	DWN	APVD
		B2		REV PER ECR 07-030318	14DEC07	JR	TM

**AMP**  
WIRE RANGE

---

8 AWG  
STRANDED



- 1 TONGUE MATERIAL THK IS 1.02±0.08 [.040±.003].
- 2 FOR 6.50 [.256] MAX WIRE INS. DIA
- 3 MATERIAL:  
BODY - COPPER PER ASTM B152  
SLEEVE - NYLON
- 4 FINISH:  
BODY - TIN PLATE PER ASTM B545  
SLEEVE - COLOR - RED

100	LOOSE PIECE	130703
QTY	PACKAGING TYPE	PART NO

<b>AMP INCORPORATED CUSTOMER SERVICE SYSTEMS</b>		MAX RECOMMENDED OPERATING TEMPERATURE: 105°C	THIS DRAWING IS A CONTROLLED DOCUMENT.		DWN jr_ruth 21AUG07	Tyco Electronics Corporation Harrisburg, PA 17105-3608			
FOR ADDITIONAL PRODUCT INFORMATION OR COPIES OF DRAWINGS AND TECHNICAL DOCUMENTS	PRODUCT INFORMATION CENTER 1-800-522-6752	VOLTAGE RATING: 600 MAX	DIMENSIONS: MM [INCHES]	TOLERANCES UNLESS OTHERWISE SPECIFIED:	CHK T MICHELUTTI 21AUG07	NAME TERMINAL, RING TONGUE, TERMINYL, WIRE SIZE: 8 AWG			
FOR APPLICATION TOOLING INFORMATION	TOOLING ASSISTANCE CENTER 1-800-722-1111	CIRCULAR MIL AREA: 6.64-10.5mm² [31,100-20,900] STRANDED		0 PLC ± - 1 PLC ± - 2 PLC ± 0.20 3 PLC ± - 4 PLC ± - ANGLES ± 5°	APVD T MICHELUTTI 21AUG07	APPLICATION SPEC			
FOR ORDER ENTRY	1-800-526-5142	THIS DRAWING IS A CONTROLLED DOCUMENT FOR AMP INCORPORATED. IT IS SUBJECT TO CHANGE AND THE CONTROLLING ENGINEERING ORGANIZATION SHOULD BE CONTACTED FOR THE LATEST REVISION.	MATERIAL -3	FINISH -4	PRODUCT SPEC	SIZE	CAGE CODE	DRAWING NO	RESTRICTED TO
					WEIGHT	A3	00779	G-130703	
CUSTOMER DRAWING					SCALE	4:1	SHEET	1 OF 1	REV B2