

**TECHNICAL SPECIFICATIONS:**

**MATERIAL :**

HOUSING TYPE 1: POLYESTER GLASS FILLED UL 94VO  
COLOR BLACK

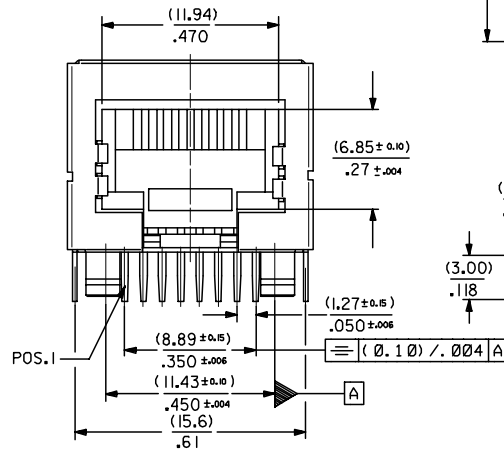
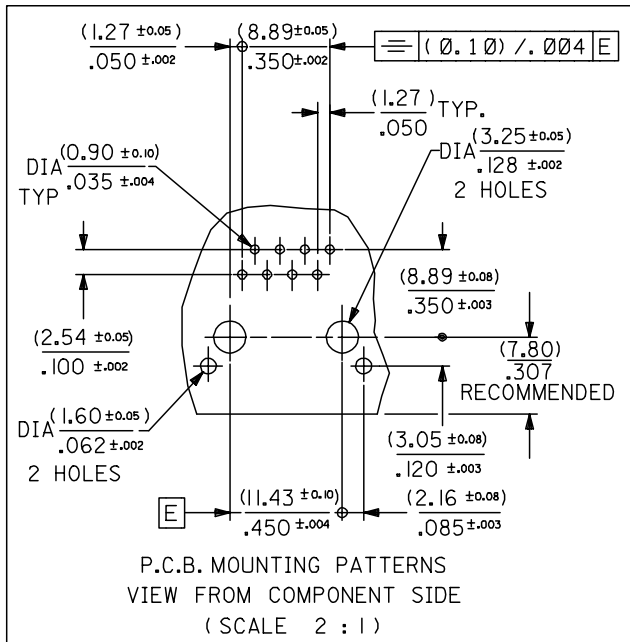
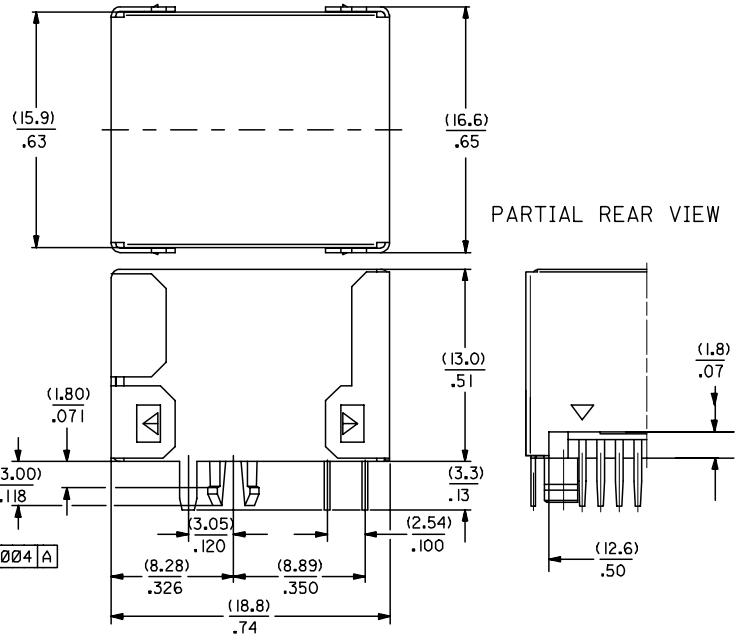
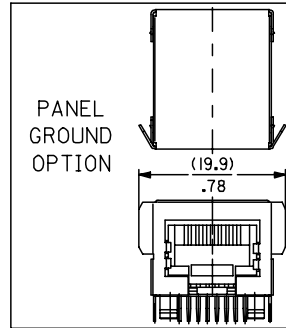
HOUSING TYPE 2: POLYAMIDE HIGH TEMPERATURE GLASS  
FILLED UL 94VO COLOR BLACK

TERMINAL : PHOSPHOR BRONZE PLATED WITH :  
(0.00127)/.000050 MIN. GOLD IN CONTACT AREA,  
(0.00190)/.000075 MIN. PURE TIN IN TAIL AREA,

BOTH OVER (0.00127)/.000050 MIN. NICKEL OVERALL

SHIELD : BRASS PLATED WITH (0.0020)/.000078 MIN. TIN.

| ENG.N°.    | HOUSING SIZE | HOUSING MATERIAL TYPE | LOADED CKTS | PANEL GROUND | TOOLED | PACKAGING SPECIFICATION PK-95122 |
|------------|--------------|-----------------------|-------------|--------------|--------|----------------------------------|
| 95122-2881 | 8            | 1                     | 8           | NO           | YES    | TRAY (SHEET 1)                   |
| 95122-2882 |              |                       |             | YES          | YES    | BLISTER (SHEET 2)                |
| 95122-2883 |              | 2                     |             | NO           | YES    | TRAY (SHEET 1)                   |



**NOTES:**

- 1- JACK FOR MATING WITH SHIELDED PLUG MOLEX 95043 AND 85568 SERIES.
- 2- PRODUCT SPECIFICATION: MOLEX PS-95122.
- 3- APPLICATION SPECIFICATION: MOLEX AS-95001.
- 4- PACKAGING SPECIFICATION: MOLEX PK-95122 (SEE CHART)
- 5- P.C. BOARD THICKNESS : (1.57)/.062

|   |                               |                                       |                       |                          |   |               |   |                         |                           |                            |  |
|---|-------------------------------|---------------------------------------|-----------------------|--------------------------|---|---------------|---|-------------------------|---------------------------|----------------------------|--|
| ENTER DESCRIPTION<br>EC NO: MG2005-0122<br>DRWN:KNOLLER 2004/10/08<br>CHKD:FCARABET 2004/10/08<br>APPR:KNOLLER 2004/10/08 | QUALITY SYMBOLS<br>▽=0<br>▽=0 | GENERAL TOLERANCES (UNLESS SPECIFIED) |                       | DIMENSION STYLE<br>MM/IN |   | SCALE<br>3:1  | DESIGN UNITS<br>METRIC                                  | THIRD ANGLE PROJECTION  |                           |                            |  |
|   |                               | 4 PLACES ± --- ± ---                  | 3 PLACES ± --- ± .010 | 2 PLACES ± 0.25 ± .014   | 1 PLACE ± 0.35 ± ---  | ANGULAR ± 2 ° | DRAFT WHERE APPLICABLE<br>MUST REMAIN WITHIN DIMENSIONS | DRAWN BY<br>GP 93/04/20 | CHECKED BY<br>FB 93/04/20 | APPROVED BY<br>JB 93/04/20 | TITLE<br>FULLY SHIELDED R/A<br>MODULAR JACK 8 CKTS<br>THROUGH HOLE - VERSION A |
|   |                               | SEE CHART                             |                       |                          | MATERIAL NO.  |               | DOCUMENT NO.<br>SDA-95122                               |                         | MOLEX INCORPORATED        |                            |  |
|   |                               | SIZE<br>A3                            |                       |                          | THIS DRAWING CONTAINS INFORMATION THAT IS PROPRIETARY TO MOLEX INCORPORATED AND SHOULD NOT BE USED WITHOUT WRITTEN PERMISSION |               |   | SHEET NO.<br>1 OF 3     |                           |                            |  |