

- NOTES) 1. ALL LEADS AND REINFORCED METAL FITTINGS CO-PLANARITY SHALL BE 0.1mm MAX.
- ② IS NO PATTERN AREA OTHER THAN THE SAME CIRCUIT.
  - ③ HRS MARK AND CAV NO. IS INDICATED IN APPROXIMAL POSITION SHOWN.
  - ④ GATE POSITION OF 10 TO 50 POSITIONS IS POSITIONED IN APPROXIMAL AREA SHOWN.
  - ⑤ GATE POSITION OF 60 TO 100 POSITIONS IS POSITIONED IN APPROXIMAL AREA SHOWN.  
A PART OF THE WALL COULD BE NOTCHED FOR SETTING GATE.
  - ⑥ 60 TO 100 POSITIONS HAVE CONCAVE PORTION.

製品名	製品コード	C	D	E
DF40B-10DS-0.4V(51)	CL684-4038-8-51	4.6	1.6	1.0
DF40B-20DS-0.4V(51)	CL684-4050-3-51	6.6	3.6	1.0
DF40B-24DS-0.4V(51)	CL684-4089-9-51	7.4	4.4	1.0
DF40B-30DS-0.4V(51)	CL684-4090-8-51	8.6	5.6	1.5
DF40B-40DS-0.4V(51)	CL684-4048-1-51	10.6	7.6	3.2
DF40B-50DS-0.4V(51)	CL684-4018-0-51	12.6	9.6	3.2
DF40B-60DS-0.4V(51)	CL684-4049-4-51	14.6	11.6	3.2
DF40B-80DS-0.4V(51)	CL684-4052-9-51	18.6	15.6	3.2
DF40B-100DS-0.4V(51)	CL684-4053-1-51	22.6	19.6	3.2

NO.	MATERIAL	FINISH	REMARKS	NO.	MATERIAL	FINISH	REMARKS
2	PHOSPHOR BRONZE		CONTACT AREA: GOLD 0.05 μm MIN SMT LEAD: GOLD 0.05 μm MIN UNDERPLATING: NICKEL 1 μm MIN	7	PS		CLEAR, REINFORCEMENT COLLAR
1	LCP		BLACK, UL94V-0	6	PS		BLACK
				5	POLYESTER		CLEAR, COVER TAPE
				4	PS		CLEAR, EMBOSSED CARRIER TAPE
				3	PHOSPHOR BRONZE		GOLD 0.05 μm MIN UNDERPLATING: NICKEL 1 μm MIN

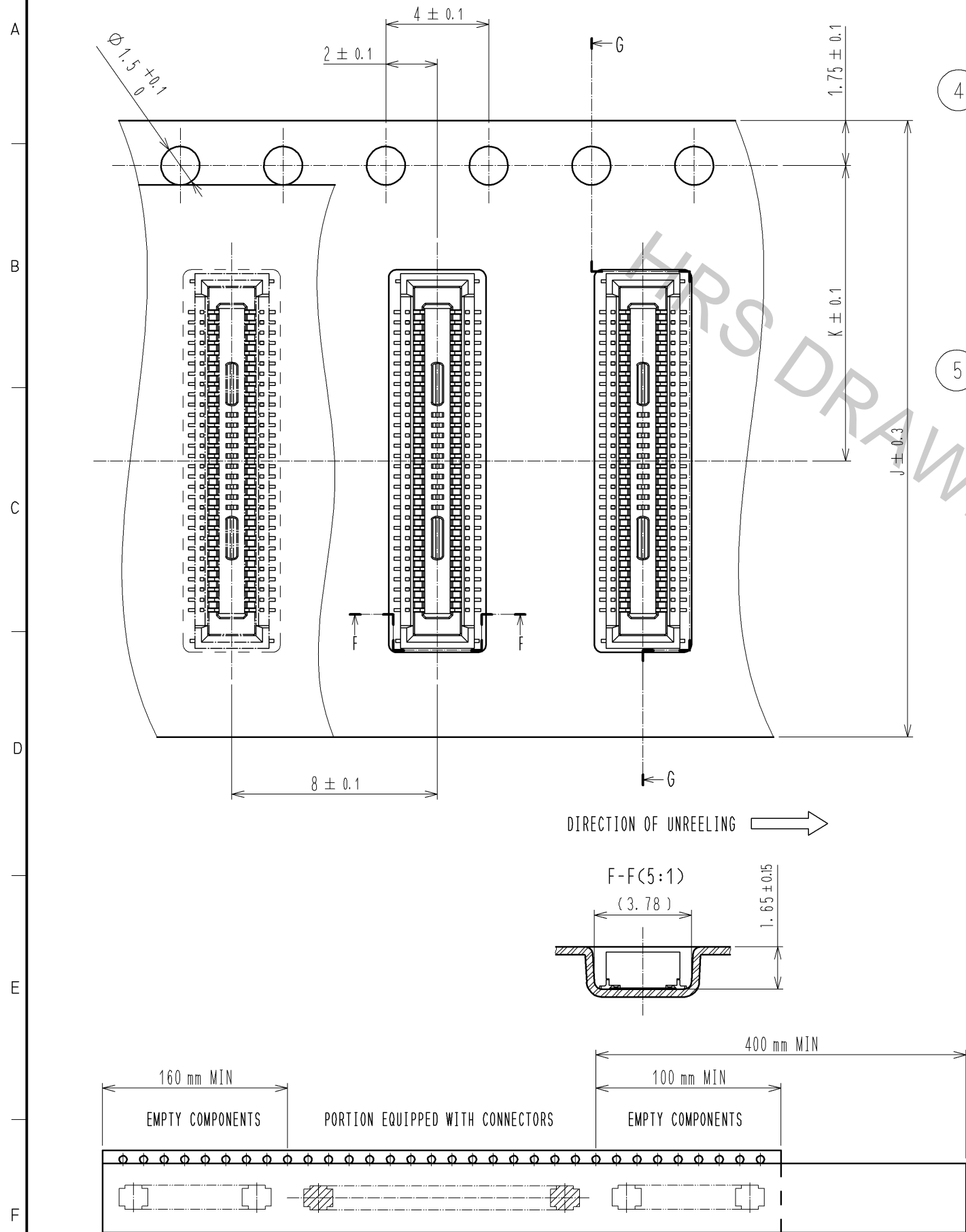
  

UNITS	SCALE	COUNT	DESCRIPTION OF REVISIONS	DESIGNED	CHECKED	DATE
mm	10:1	1	DIS-H-008977	KR. AJITO	TS. MIYAZAKI	14.08.01

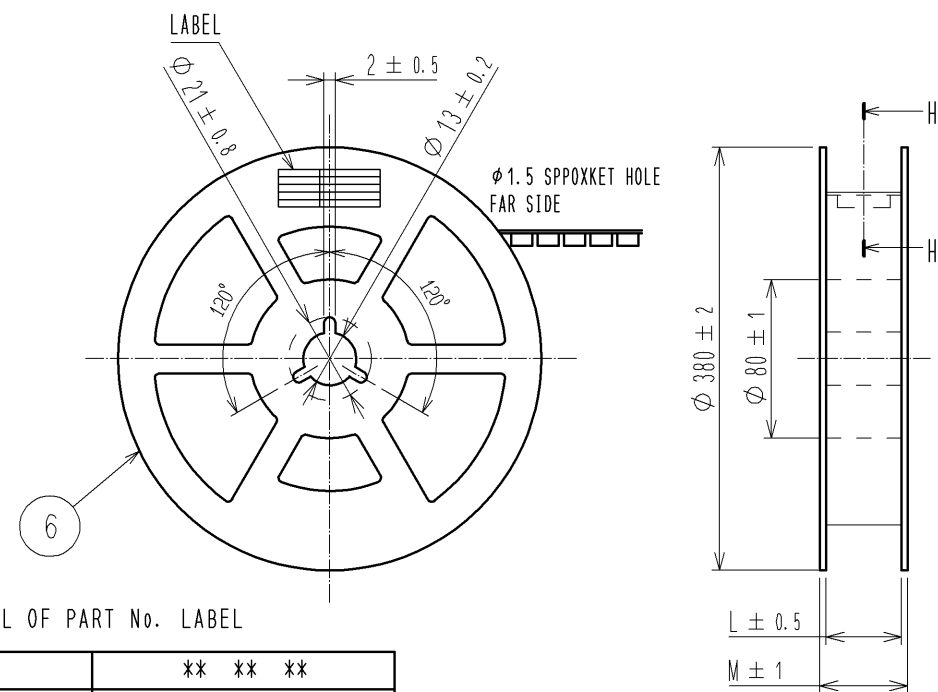
  

APPROVED	DATE	DRAWING NO.
KH. IKEDA	07.08.31	EDC3-316871-01
CHECKED	DATE	PART NO.
AR. TAKAHASHI	07.08.31	DF40B-*DS-0.4V(51)
DESIGNED	DATE	CODE NO.
TK. SUZUKI	07.08.31	CL684
DRAWN	DATE	
TK. SUZUKI	07.08.31	

EMBOSSED CARRIER TAPE PACKAGING (5:1)



STYLE AND DIMENSION OF REEL(FREE)

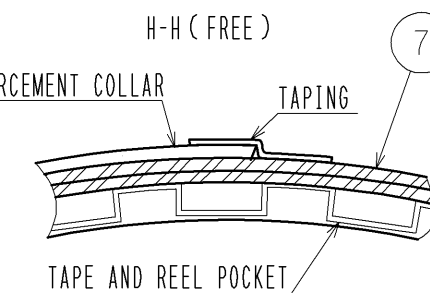


10) DETAIL OF PART No. LABEL

製造年月日	** ** *
製品コード	CL684-*****-51
製品名	DF40B-*DS-0.4V(51)
数量	5000
納入者	ヒロセ電機(株)

製品名	J	K	L	M	N
DF40B-10DS-0.4V(51)	16	7.5	17.5	21.5	2.9
DF40B-20DS-0.4V(51)	16	7.5	17.5	21.5	4.9
DF40B-24DS-0.4V(51)	16	7.5	17.5	21.5	6.9
DF40B-30DS-0.4V(51)	24	11.5	25.5	29.5	8.9
DF40B-40DS-0.4V(51)	24	11.5	25.5	29.5	10.9
DF40B-50DS-0.4V(51)	24	11.5	25.5	29.5	12.9
DF40B-60DS-0.4V(51)	24	11.5	25.5	29.5	14.9
DF40B-80DS-0.4V(51)	32	14.2	33.5	37.5	18.9
DF40B-100DS-0.4V(51)	44	20.2	45.5	49.5	22.9

12) REINFORCEMENT COLLAR



NOTES 7. PER REEL 5000 CONNECTORS.

8. THE DIMENSIONS IN PARENTHESES ARE FOR REFERENCE.

9) REFER TO JIS C 0806(IEC 60286-3)(PACKING OF COMPONENTS FOR AUTOMATIC HANDLING)

10) DETAIL OF PART No. LABEL IS WRITTEN IN JAPANESE.

PART No. LABEL DESCRIBES THE FOLLOWING INFORMATION FROM TOP.

PRODUCTION DATE:

PRODUCT CODE: CL684-\*\*\*\*\*-51

PART NUMBER: DF40B-\*DS-0.4V(51)

NUMBER OF PIECES: 5000 PIECES

SUPPLIER NAME: HIROSE ELECTRIC CO., LTD.

11. 80 TO 100 POSITIONS EMBOSSED CARRIER TAPE HAS THE SPROCKET HOLE ON BOTH SIDES.

12) AFTER PACKAGING, ROLL 2 METERS OF THE REINFORCEMENT COLLAR TO OUTER CIRCUMFERENCE OF TAPE AND REEL POCKET, AND TAPE DOWN AT THE END THE COLLAR.

<b>HRS</b>	DRAWING NO.	EDC3-316871-01
	PART NO.	DF40B-*DS-0.4V(51)
	CODE NO.	CL684