

PART NAME: KNOB SCALE: 1:1 DATE: 5/10/05 DR. BY JAM

THIS DRAWING IS THE PROPERTY OF DAVIES MOLDING COMPANY, IS SUBMITTED SOLELY AS A DESIGN OR ENGINEERING PROJECT. WE ACCEPT NO RESPONSIBILITY WHATSOEVER FOR THE PRACTICAL APPLICATION OF THE PIECES MADE TO THIS DESIGN.



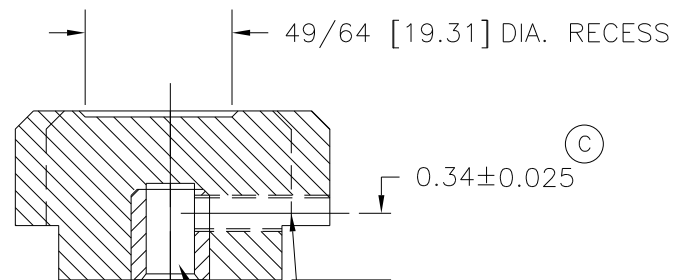
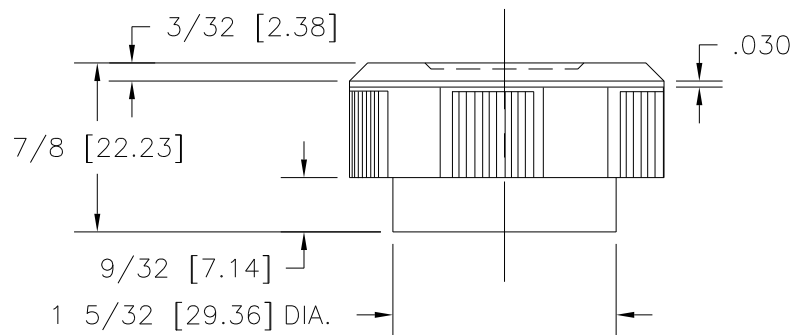
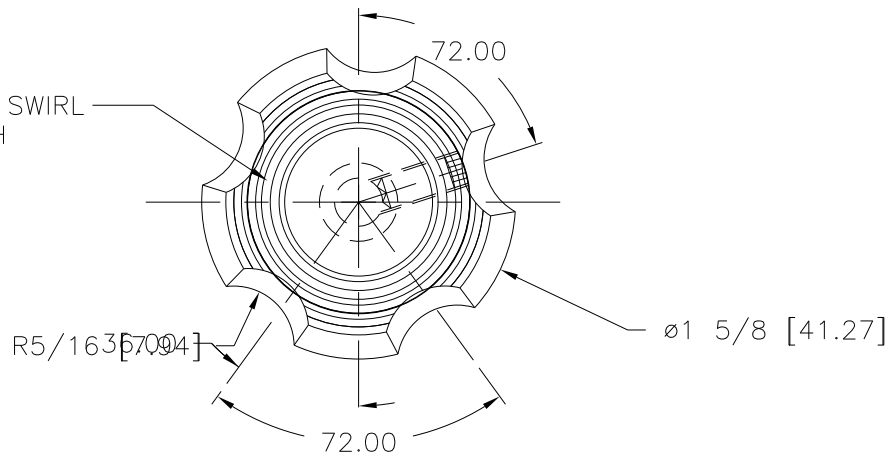
DESIGNERS & MANUFACTURERS OF KNOBS, HANDLES, CASES & CUSTOM PLASTIC COMPONENTS

P/N 2870BV

BASE PART 2870-01

SET SCREW I0121

DULL SWIRL FINISH



CBORE USE #17 DRILL 0.060 DEEP
 USE # 21 DR.(.159); # 10-32 TAP.
 # 10-32 THD'D. X 1/2 LG. SLOTTED TYPE,
 SET SCREW I0121, ONE(1) REQ'D. AS SHOWN.

I0119, BRASS INSERT
 I.D. FOR STD. 1/4 DIA. SHAFT

Ⓓ
 MATERIAL: #4311 PHENOLIC (B41)
 COLOR: BLACK

TOLERANCES: UNLESS OTHERWISE SPECIFIED	DO NOT SCALE DRAWING
DECIMALS: X.XXX ± .005 X.XX ± .015	MM: X.XX ± 0.15MM X.X ± 0.4MM
FRACTIONS ± 1/64	ANG. ± 1°

D	WAS G.P. PHENOLIC (B11)	JAM	4/4/16
C	WAS .344	EW	7/23/14
B	ADDED BASE PART	JAM	2/11/14
A	UPDATED PIN BAR SHIM 0.125+0.012	DS	4/10/06
-	WAS SK2870-14	JAM	5/10/05

CHANGES