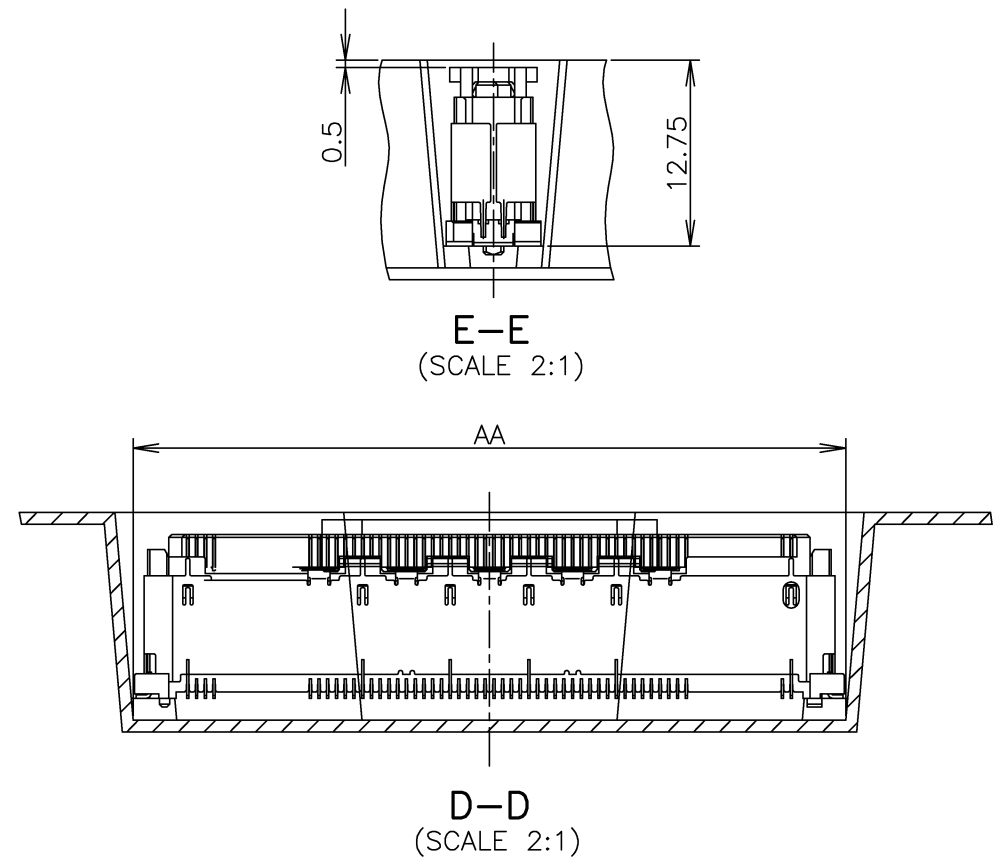
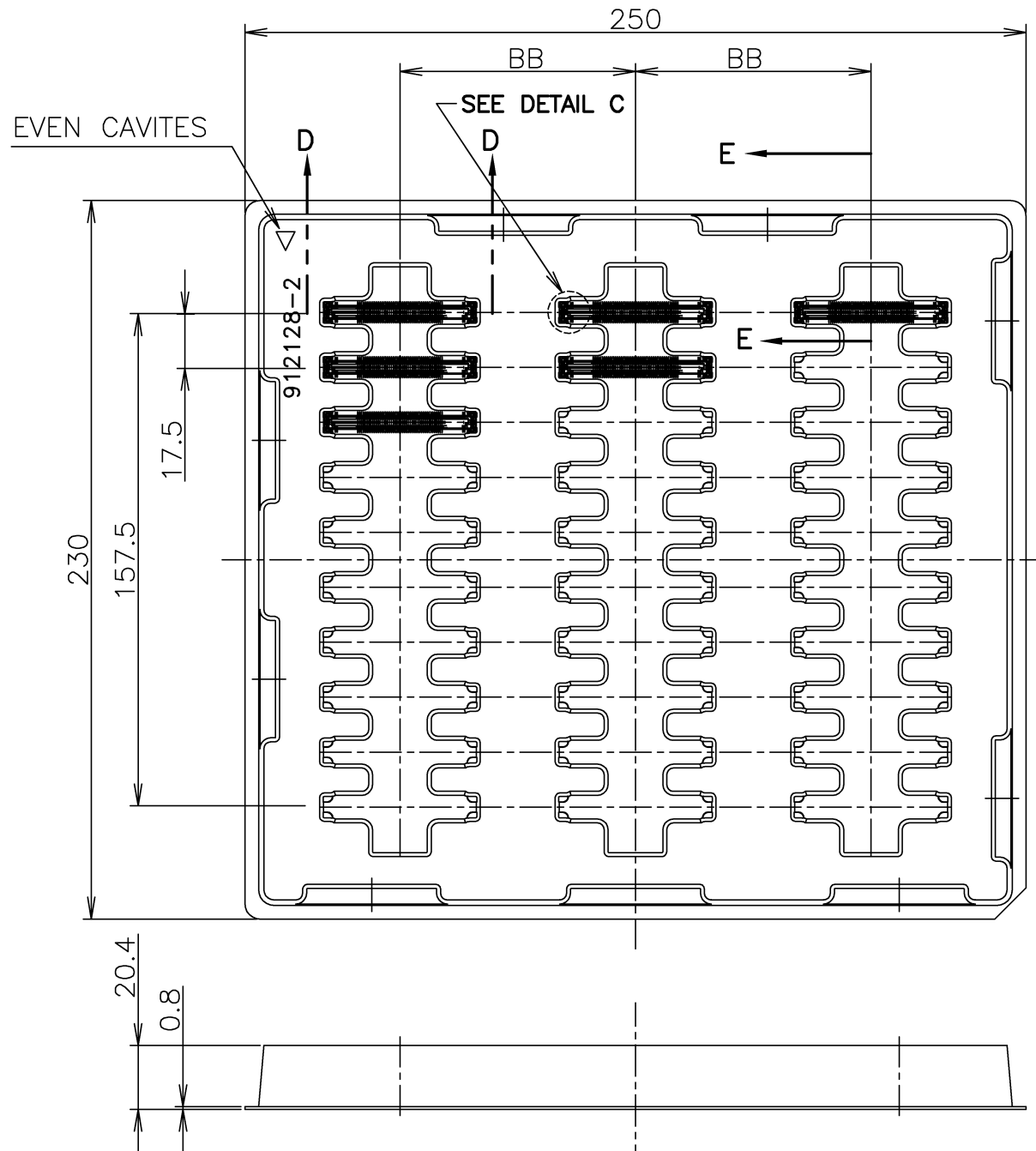
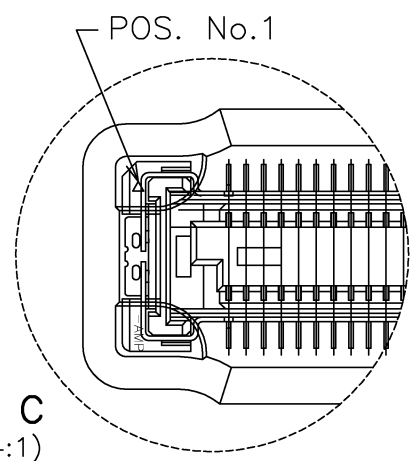


THIS DRAWING IS UNPUBLISHED. RELEASED FOR PUBLICATION OCT, 2008.
 © COPYRIGHT 2008 BY TYCO ELECTRONICS CORPORATION. ALL RIGHTS RESERVED.

LOC	DIST	REVISIONS					
J		P	LTR	DESCRIPTION	DATE	DWN	APVD
		A		RELEASED	21OCT2008	Y.O	T.F



SEALANT	TOOLING STATUS	ROW	QTY	BB	AA	POS.	PART NO.
NOT AVAILABLE		3	30	75	54.7	160	1-2069482-1
AVAILABLE		↑	↑	↑	48.7	140	1- -0
NOT AVAILABLE					42.7	120	-9
↑		↓	↓	↓	36.7	100	-8
		3	30	75	33.7	90	-7
		5	50	43	30.7	80	-6
		↑	↑	↑	27.7	70	-5
					24.7	60	-4
					21.7	50	-3
		↓	↓	↓	18.7	40	-2
NOT AVAILABLE		5	50	43	15.7	30	2069482-1



GENERAL TOLERANCE
 一般公差
 10 ≥ : ±0.2
 30 ≥ : >10: ±0.25
 100 ≥ : >30: ±0.3
 ANGLES: ±3°

THIS DRAWING IS A CONTROLLED DOCUMENT.

DIMENSIONS: 単位: 耗 mm	TOLERANCES UNLESS OTHERWISE SPECIFIED: 一般公差	DWN Y.OKOSHI 21OCT2008	Tyco Electronics Corporation Kawasaki, Japan	
	0 PLC ±-	CHK S.KAJINUMA 21OCT2008	NAME T.FUTATSUGI	
	1 PLC ±-	APVD T.FUTATSUGI 21OCT2008	HARD TRAY ASSY	
	2 PLC ±-	PRODUCT SPEC 製品規格 108-60047	FH 0.6BTB CONNECTOR	
	3 PLC ±-	APPLICATION SPEC 取付適用規格 114-5255	REC 12H W/G-CONT AND CAP	
	4 PLC ±-	WEIGHT	SIZE A3	CAGE CODE 00779
	ANGLES ±-	CUSTOMER DRAWING	DRAWING NO 2069482	RESTRICTED TO
MATERIAL 材料	FINISH 仕上	SCALE 尺度 1:2	SHEET 1 of 4	REV A

4

3

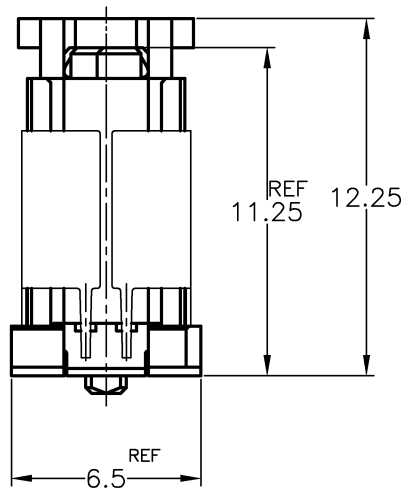
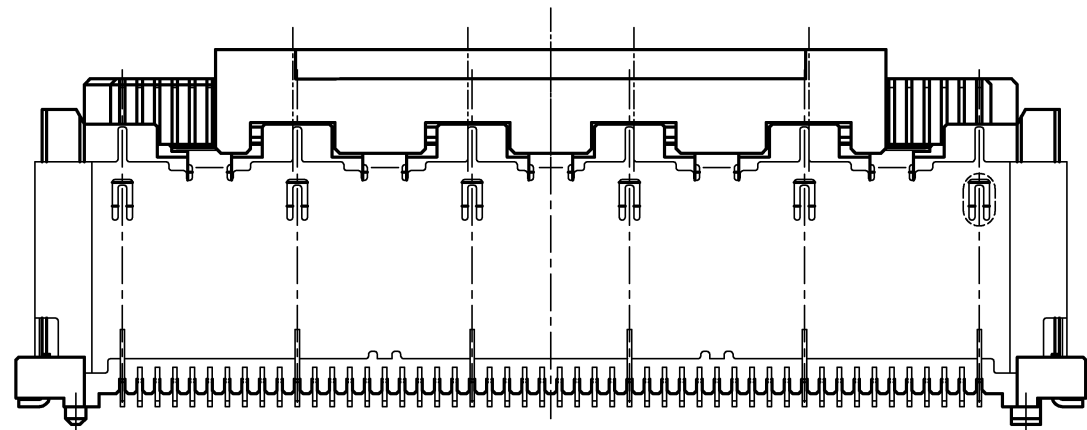
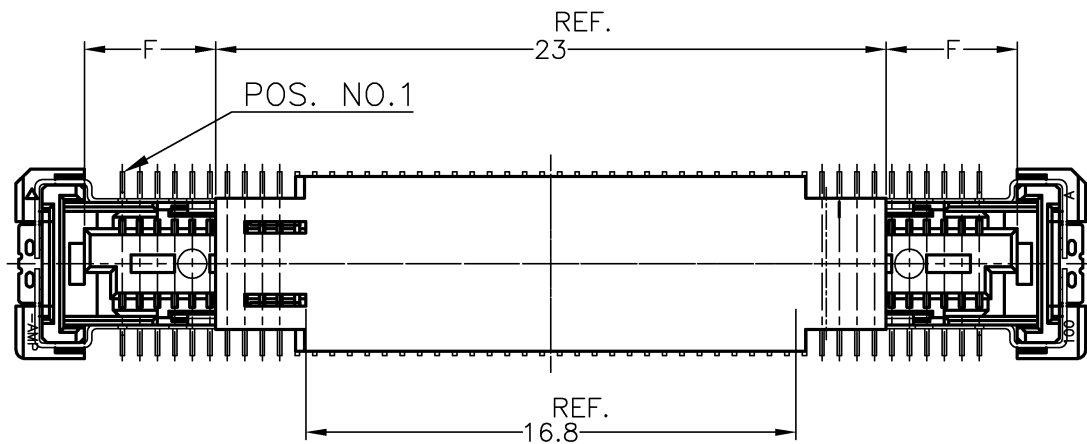
2

1

THIS DRAWING IS UNPUBLISHED. RELEASED FOR PUBLICATION OCT , 2008.

© COPYRIGHT 2008 BY TYCO ELECTRONICS CORPORATION. ALL RIGHTS RESERVED.

LOC	DIST	REVISIONS					
		P	LTR	DESCRIPTION	DATE	DWN	APVD
J				SEE SHEET 1	-	-	-



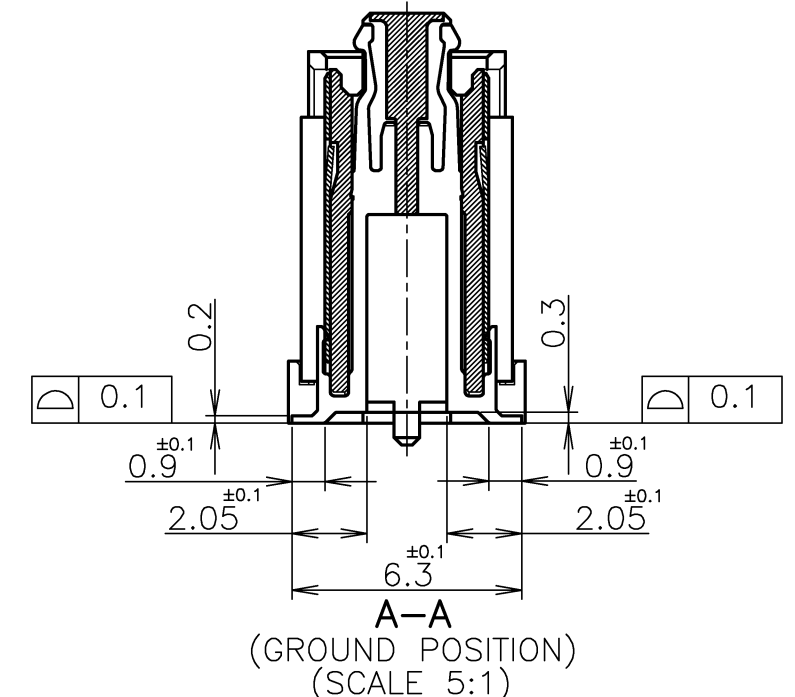
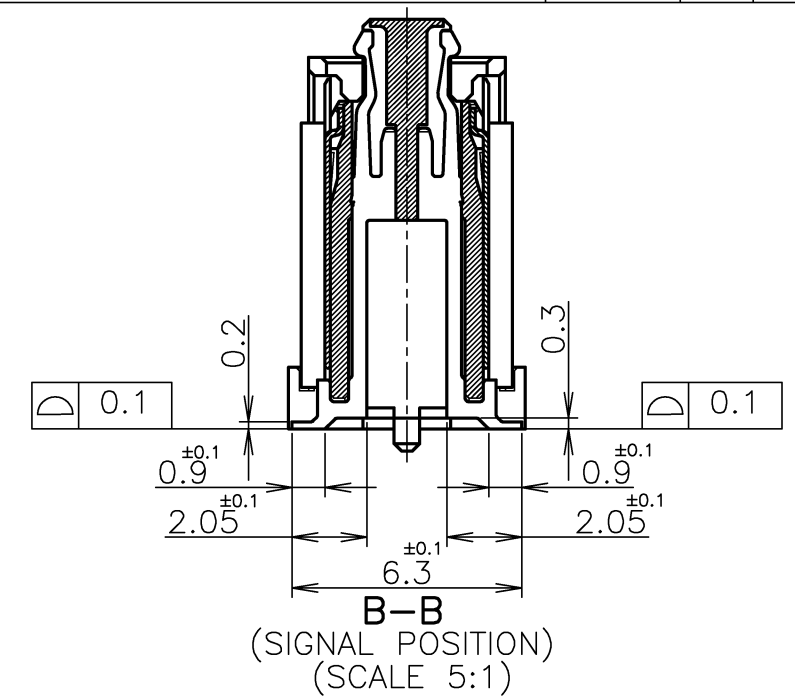
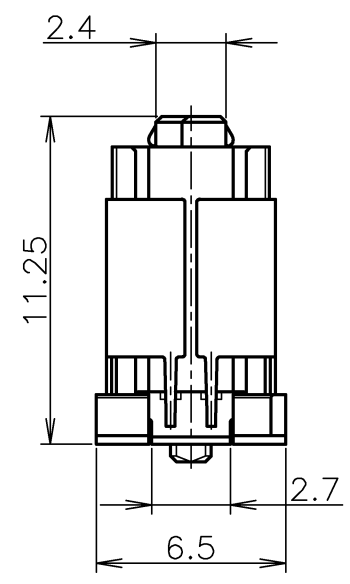
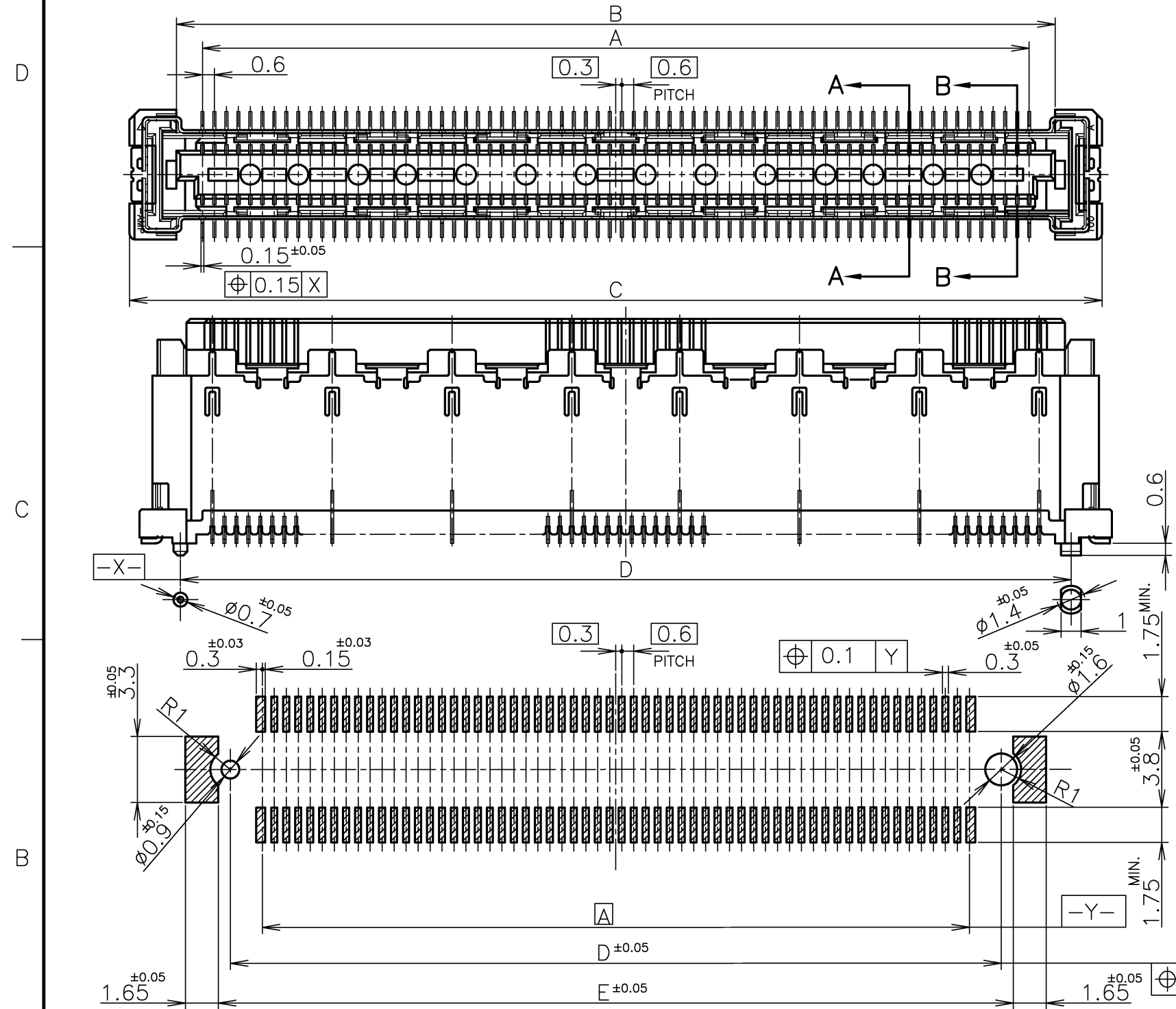
10.5	140	1-2069482-0
F	POS.	PART No.

THIS DRAWING IS A CONTROLLED DOCUMENT.		DWN	Tyco Electronics Corporation Kawasaki, Japan	
DIMENSIONS: 単位: 耗 mm		CHK	NAME 名称	
TOLERANCES UNLESS OTHERWISE SPECIFIED: 一般公差		APVD	HARD TRAY ASSY FH 0.6BTB CONNECTOR REC 12H W/G-CONT AND CAP	
0 PLC ±- 1 PLC ±- 2 PLC ±- 3 PLC ±- 4 PLC ±- ANGLES ±-		PRODUCT SPEC 製品規格	SIZE	RESTRICTED TO
GENERAL TOLERANCE 一般公差 10 ≥ ±0.2 30 ≥ >10: ±0.25 100 ≥ >30: ±0.3 ANGLES: ±3°		APPLICATION SPEC 取付適用規格	CAGE CODE	DRAWING NO
MATERIAL 材料		WEIGHT	A3 00779	2069482
FINISH 仕上		CUSTOMER DRAWING	SCALE 尺度 4:1	SHEET 2 of 4
				REV A

THIS DRAWING IS UNPUBLISHED. RELEASED FOR PUBLICATION OCT, 2008.

© COPYRIGHT 2008 BY TYCO ELECTRONICS CORPORATION. ALL RIGHTS RESERVED.

LOC	DIST	REVISIONS					
J		P	LTR	DESCRIPTION	DATE	DWN	APVD
				SEE SHEET 1			



REFERENCE P.C. BOARD LAYOUT

NOT AVAILABLE	51.8	50.6	54.7	50	47.4	160	1-2069482-1
AVAILABLE	45.8	44.6	48.7	44	41.4	140	1-2069482-0
NOT AVAILABLE	39.8	38.6	42.7	38	35.4	120	-9
	33.8	32.6	36.7	32	29.4	100	-8
	30.8	29.6	33.7	29	26.4	90	-7
	27.8	26.6	30.7	26	23.4	80	-6
	24.8	23.6	27.7	23	20.4	70	-5
	21.8	20.6	24.7	20	17.4	60	-4
	19.8	17.6	21.7	17	14.4	50	-3
	15.8	14.6	18.7	14	11.4	40	-2
NOT AVAILABLE	12.8	11.6	15.7	11	8.4	30	2069482-1
TOOLING STATUS	E	D	C	B	A	POS	PART NO.

GENERAL TOLERANCE
一般公差

10 ≥ ±0.2
30 ≥ >10: ±0.25
100 ≥ >30: ±0.3
ANGLES: ±3°

THIS DRAWING IS A CONTROLLED DOCUMENT.

DIMENSIONS: 単位: 概 mm

TOLERANCES UNLESS OTHERWISE SPECIFIED: 一般公差

0 PLC ± -
1 PLC ± -
2 PLC ± -
3 PLC ± -
4 PLC ± -
ANGLES ± -

MATERIAL 材料

FINISH 仕上

DWN
CHK
APVD
PRODUCT SPEC 製品規格
APPLICATION SPEC 取付適用規格
WEIGHT

Tyco Electronics Corporation
Kawasaki, Japan

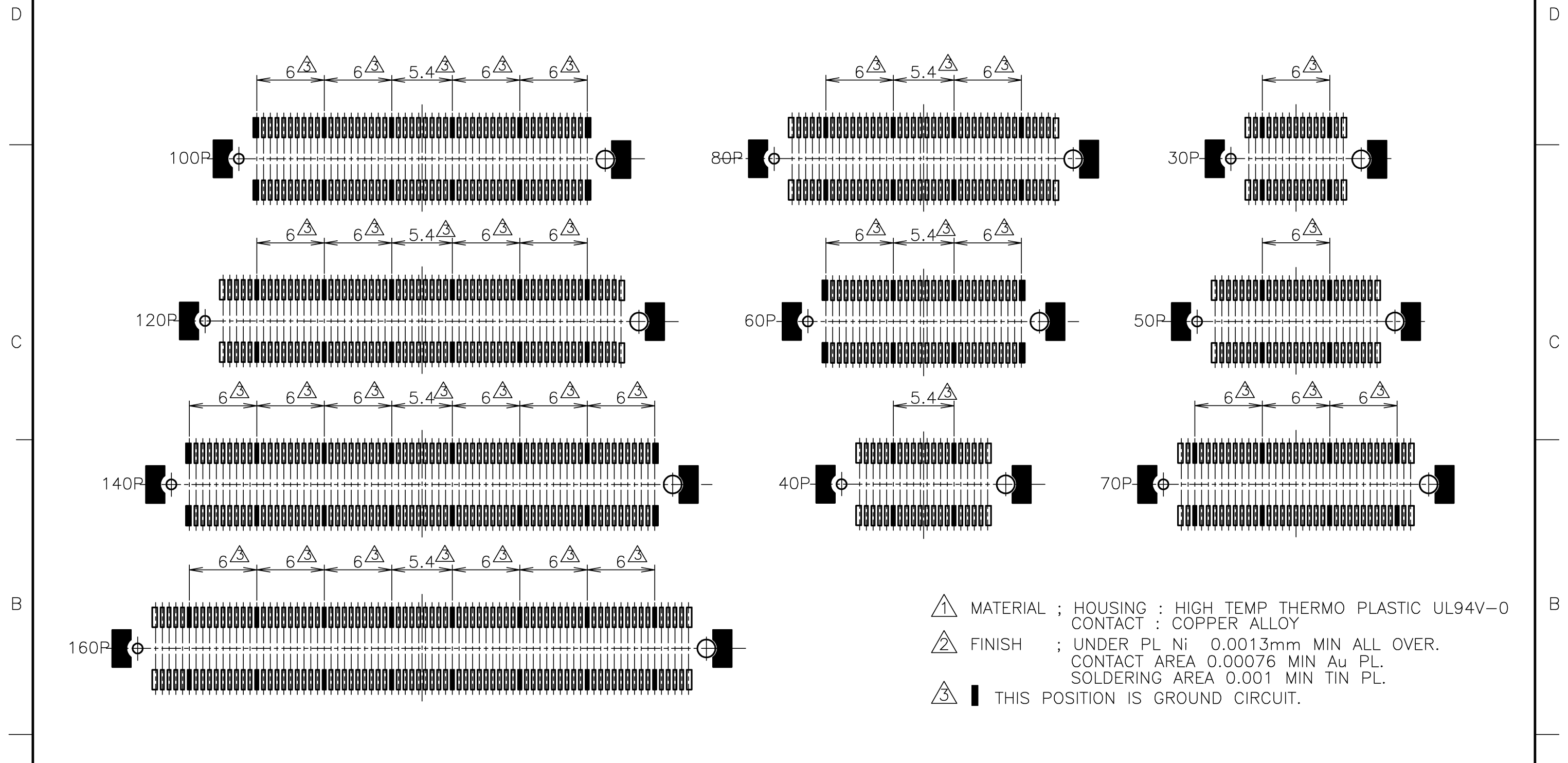
NAME 名称
HARD TRAY ASSY
FH 0.6BTB CONNECTOR
REC 12H W/G-CONT AND CAP

SIZE A3
CAGE CODE 00779
DRAWING NO 番号 2069482
RESTRICTED TO

CUSTOMER DRAWING
SCALE 尺度 4:1
SHEET 3 OF 4
REV A

THIS DRAWING IS UNPUBLISHED. RELEASED FOR PUBLICATION OCT , 2008.
 © COPYRIGHT 2008 BY TYCO ELECTRONICS CORPORATION. ALL RIGHTS RESERVED.

LOC	DIST	REVISIONS					
J		P	LTR	DESCRIPTION	DATE	DWN	APVD
				SEE SHEET 1			



- ① MATERIAL ; HOUSING : HIGH TEMP THERMO PLASTIC UL94V-0
CONTACT : COPPER ALLOY
- ② FINISH ; UNDER PL Ni 0.0013mm MIN ALL OVER.
CONTACT AREA 0.00076 MIN Au PL.
SOLDERING AREA 0.001 MIN TIN PL.
- ③ THIS POSITION IS GROUND CIRCUIT.

THIS DRAWING IS A CONTROLLED DOCUMENT.		DWN		Tyco Electronics Corporation Kawasaki, Japan																							
DIMENSIONS: 単位: 耗 mm		TOLERANCES UNLESS OTHERWISE SPECIFIED: 一般公差		NAME 名称																							
<table border="1"> <tr> <th colspan="2">GENERAL TOLERANCE</th> </tr> <tr> <td>10 ≥</td> <td>±0.2</td> </tr> <tr> <td>30 ≥</td> <td>>10:±0.25</td> </tr> <tr> <td>100 ≥</td> <td>>30:±0.3</td> </tr> <tr> <td colspan="2">ANGLES:±3°</td> </tr> </table>		GENERAL TOLERANCE		10 ≥	±0.2	30 ≥	>10:±0.25	100 ≥	>30:±0.3	ANGLES:±3°		<table border="1"> <tr> <td>0 PLC</td> <td>±-</td> </tr> <tr> <td>1 PLC</td> <td>±-</td> </tr> <tr> <td>2 PLC</td> <td>±-</td> </tr> <tr> <td>3 PLC</td> <td>±-</td> </tr> <tr> <td>4 PLC</td> <td>±-</td> </tr> <tr> <td>ANGLES</td> <td>±-</td> </tr> </table>		0 PLC	±-	1 PLC	±-	2 PLC	±-	3 PLC	±-	4 PLC	±-	ANGLES	±-	HARD TRAY ASSY FH 0.6BTB CONNECTOR REC 12H W/G-CONT	
		GENERAL TOLERANCE																									
10 ≥	±0.2																										
30 ≥	>10:±0.25																										
100 ≥	>30:±0.3																										
ANGLES:±3°																											
0 PLC	±-																										
1 PLC	±-																										
2 PLC	±-																										
3 PLC	±-																										
4 PLC	±-																										
ANGLES	±-																										
MATERIAL 材料		FINISH 仕上		SIZE A3																							
①		②		CAGE CODE 00779																							
				DRAWING NO 番号 G-2069482																							
				RESTRICTED TO																							
		CUSTOMER DRAWING		SCALE 尺度 3:1																							
				SHEET 4 of 4																							
				REV A																							