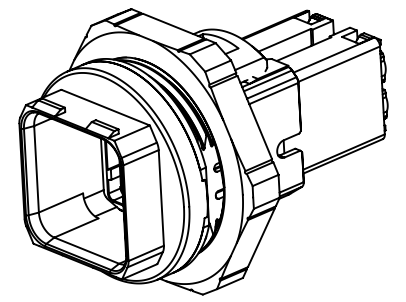


Wandstärke: 1mm bis 6mm  
thickness panel: 1mm to 6mm  
Anzugsmoment: 2,5Nm bis 3Nm  
nut screwing torque: 2.5Nm to 3Nm



Steckgesicht nach  
IEC 61076-03-118  
mating face acc. to  
IEC 61076-3-118

Querschnitt / cross section: 0,5mm<sup>2</sup>-2,5mm<sup>2</sup>

	All Dimensions in mm Original Size DIN A4	Scale 2:1	Free size tol.		Ref. Sub. TB 09352320312 500000058722 2013-02-06	
	All rights reserved Department EC PD - DE	Created by ELLERMANN	Inspected by DAHMS	Standardisation HOFFMANN	Date 2013-06-12	State Final Release
HARTING Electronics GmbH D-32339 Espelkamp		Title Han PP Power PFT metal QL AWG20-14			Doc-Key / ECM-Nr. 100221211/UGD/003/C 500000062511	
		Type TB	Number 09352320312		Rev. C	Page 1/1