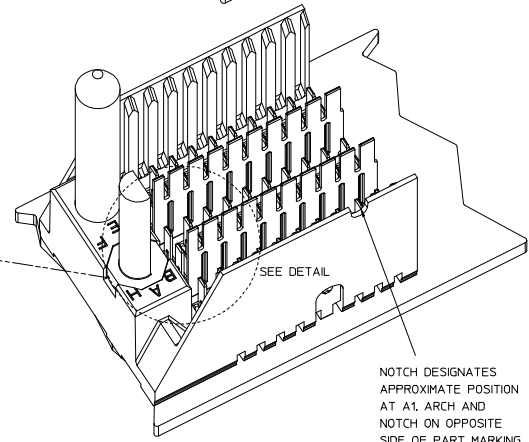
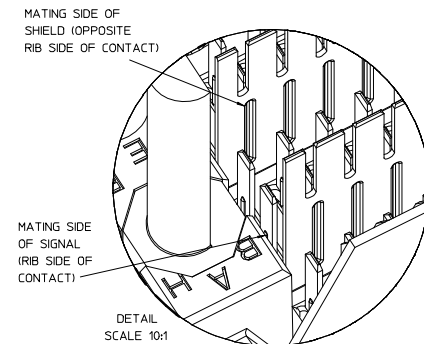
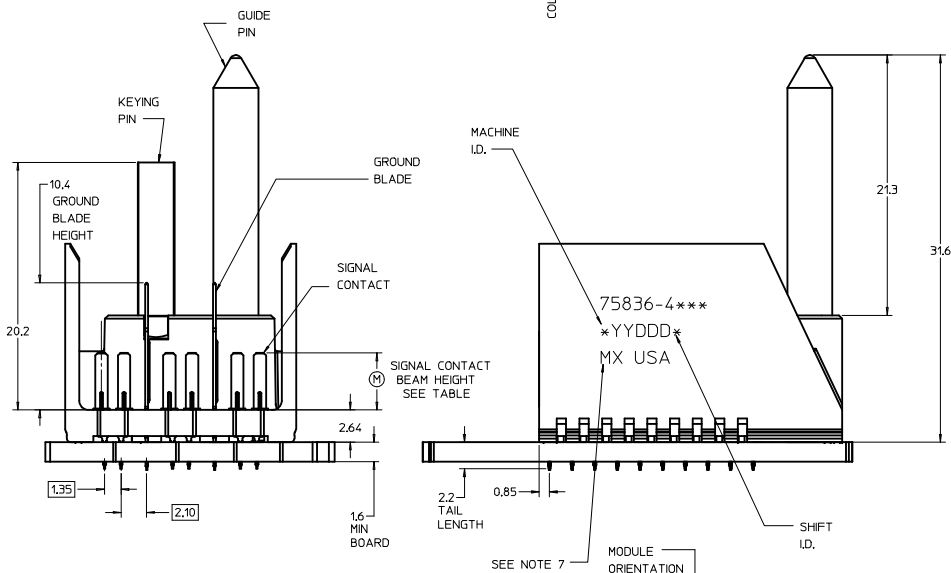
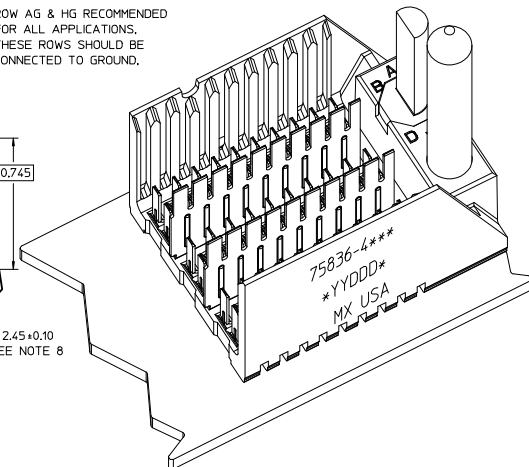


ROW AG & HG RECOMMENDED FOR ALL APPLICATIONS. THESE ROWS SHOULD BE CONNECTED TO GROUND.



NOTCH DESIGNATES APPROXIMATE POSITION AT A1 ARCH AND NOTCH ON OPPOSITE SIDE OF PART MARKING.

NOTES:

- MATERIAL: HOUSING - LIQUID CRYSTAL POLYMER (LCP) GLASS-FILLED. UL 94V-0, COLOR - GRAY. SIGNAL CONTACT AND GROUND BLADE - HIGH PERFORMANCE COPPER ALLOY.
- FINISHES: SELECTIVE GOLD (Au) ON CONTACT AREA, SELECTIVE MATTE TIN (Sn) ON PCB TAILS, NICKEL (Ni) OVERALL.
- THIS PART CONFORMS TO MOLEX PRODUCT SPECIFICATION PS-75221-999.
- FOR MIXED CONTACT MATING LENGTHS CONSULT MOLEX FOR AVAILABILITY. CONTACT PAIRS MUST BE THE SAME LENGTH.
- FOR SPECIFIC PART NUMBER AND MATING INFORMATION PLEASE REFER TO CHART.
- PACKAGE PER PK-70873-572.
- EITHER MARK PART NUMBER AND DATE CODE APPROXIMATELY WHERE SHOWN OR PLACE A LABEL ON THE TUBE.
- OPTIONAL HOLE LOCATION FOR GROUNDED GUIDE PIN OR ADDITIONAL GUIDE PIN SUPPORT. FOR GROUNDED GUIDE PIN, HOLE TO BE PLATED, DRILL SIZE #258, PAD SIZE #550.
- THESE PARTS CONFORM TO MOLEX COSMETIC SPECIFICATION PS-45499-002 CLASS B.

KEYING ORIENTATION

0-NONE	1-10 COL	3-3.55 mm
1-A	2-25 COL	4-4.55 mm
2-B	5- 5 COL	5-5.55 mm
ETC...		

PART NUMBER TABLE

ASSY PART NO.	K	L	P	TOTAL NO. OF DIFFERENTIAL PAIRS
75836-41**	9	16.65	24.78	30
75836-42**	24	44.40	52.53	75
75836-45**	4	7.40	15.53	15

P/N	75836-()	0	A	B	C	D	E	F	G	H
KEYING PIN ORIENTATION										

LEAD-FREE PLATING ON SIGNALS, & GROUNDS.

REVISED UCP 2007-2799 DRWN: JBINGHAM 2007/05/02 CHKD: 2007/05/03 APPR: SREED 2007/05/03	QUALITY SYMBOLS -0 -0	GENERAL TOLERANCES (UNLESS SPECIFIED) .mm INCH 4 PLACES ± --- ± --- 3 PLACES ± --- ± --- 2 PLACES ± --- ± --- 1 PLACE ± --- ± --- ANGULAR ± ---°	SCALE 5:1 DESIGN UNITS METRIC DIMENSION STYLE MM ONLY	THIRD ANGLE PROJECTION REVISE ON CAD ONLY
		DRAWN BY NMARTIN DATE 2006/01/13	CHECKED BY KMULVEY DATE 2006/01/16	TITLE GBX 3-PAIR RIGHT END BACKPLANE ASSEMBLY LEAD-FREE SALES DRAWING
		APPROVED BY JBINGHAM DATE 2006/01/17	MATERIAL NO. SEE CHART DOCUMENT NO. SD-75836-410	SHEET NO. 1 OF 1
		THIS DRAWING CONTAINS INFORMATION THAT IS PROPRIETARY TO MOLEX INCORPORATED AND SHOULD NOT BE USED WITHOUT WRITTEN PERMISSION		