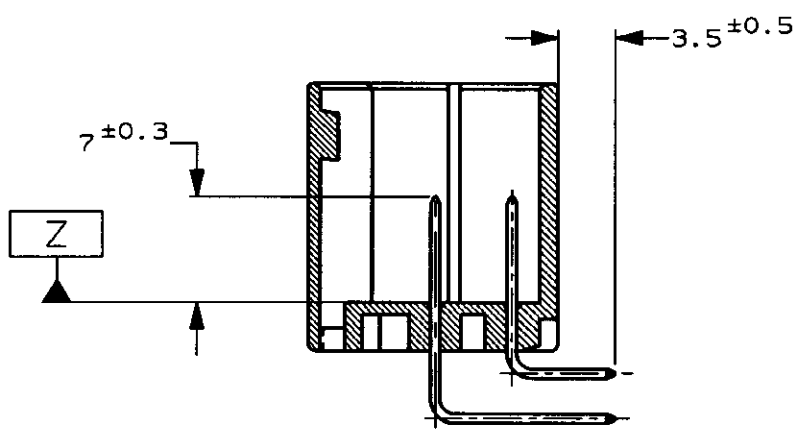
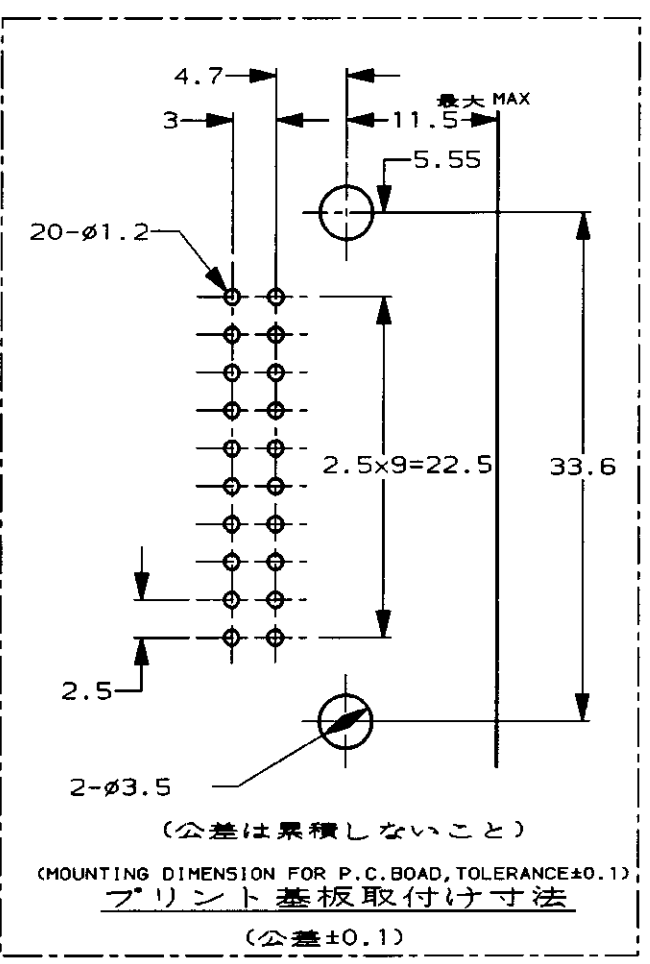
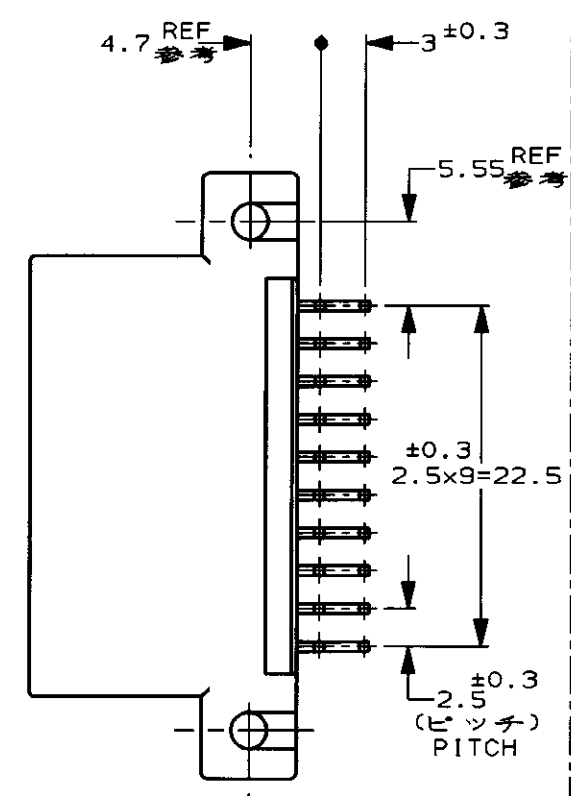
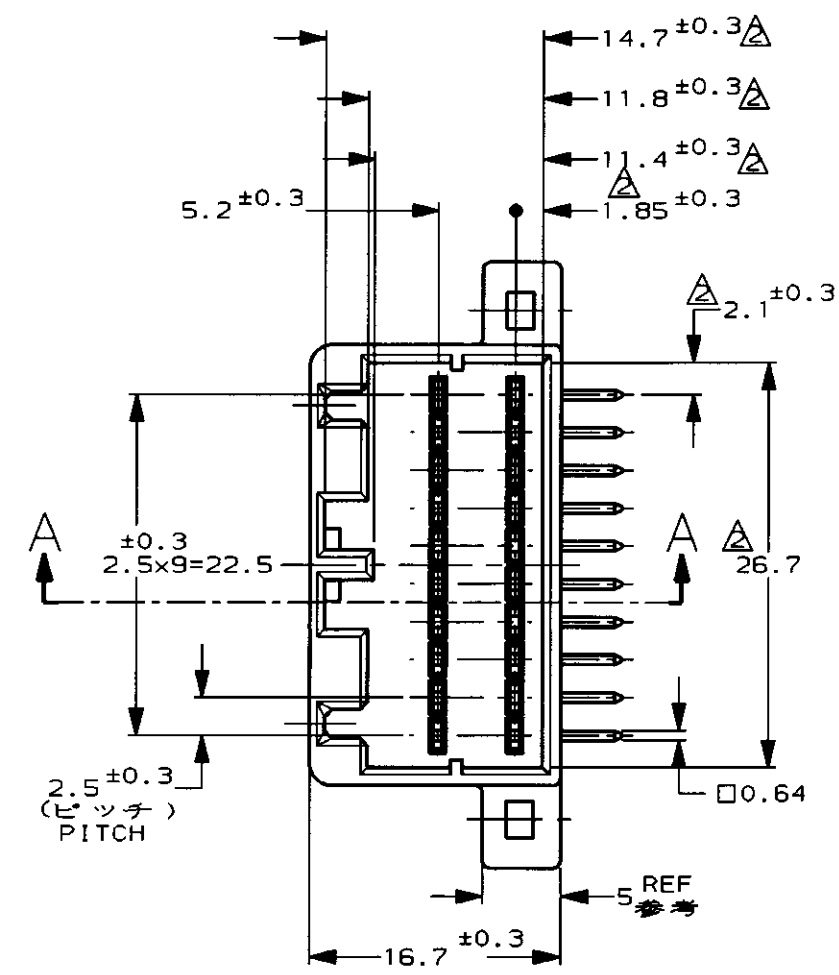
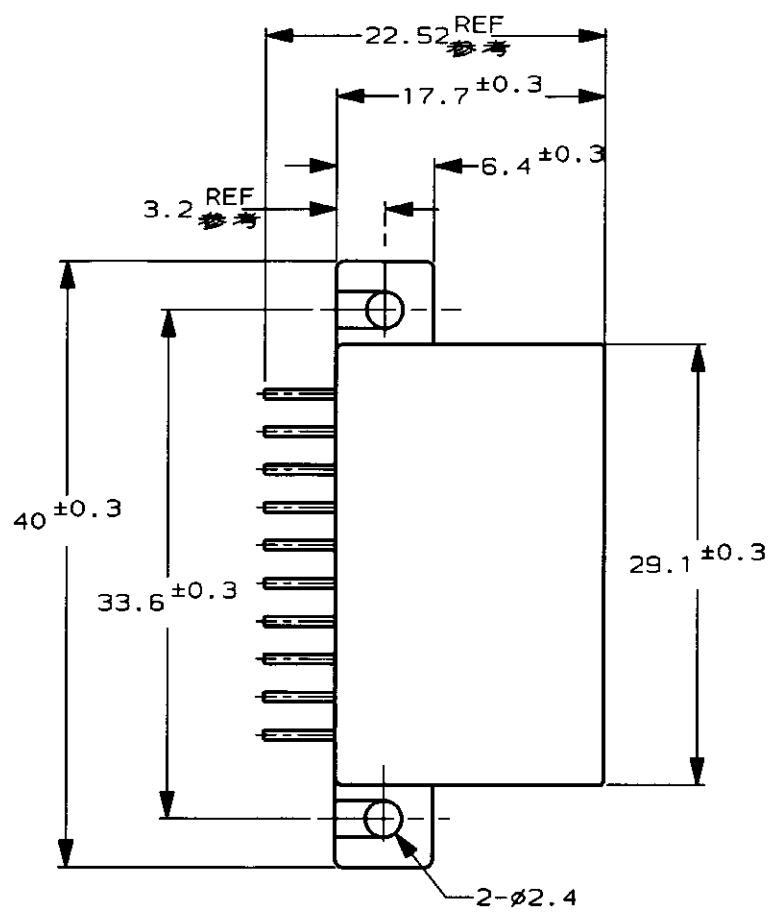


THIS DRAWING IS UNPUBLISHED. RELEASED FOR PUBLICATION ,1996
 © COPYRIGHT 19 BY AMP INCORPORATED. ALL RIGHTS RESERVED.

LOC	DISY	REVISIONS						
		P	LTR	DESCRIPTION	ECN	DATE	DWN	APVD
J	ZDI	0		RELEASED 作成	FJ00-5046-96	9/10'96	SA	KO
		A		REVISED 変更	FJ00-0055-97	1/31'97	SA	[Signature]



A-A

1. RECOMMENDED MOUNTING SCREW 3mmDIA 6mmLENGTH (MAX) PAN HEAD, CLASS 2
 - 2 TAPPING SCREW SPECIFIED IN JIS B1115, B1112 (TIGHTENING TORQUE; 39.2Nm [4Kg-cm MAX])
- △ TO BE MEASURED WITHIN 2mm FROM [-Z-]

1. 推奨取付ネジ: JIS B1115, B1122 タッピングネジ、M3X6 ナベ2種 (締付トルク: 39.2Nm [4Kg-cm以下])
- △ [-Z-] 面より2mmの範囲で測定

淡灰 (LIGHT GRAY)	316993-6
色 (COLOR)	P/N

THIS DRAWING IS A CONTROLLED DOCUMENT FOR AMP INCORPORATED. IT IS SUBJECT TO CHANGE AND THE CONTROLLING ENGINEERING ORGANIZATION SHOULD BE CONTACTED FOR THE LATEST REVISION.		DWN	S. AMEMIYA	9/10'96	
DIMENSIONS, 単位: 概 mm		CHK	H. KITAMURA	9/10'96	
TOLERANCES UNLESS OTHERWISE SPECIFIED 一般公差: 10% ±0.2, 30% ±0.25, 100% ±0.3, ANGLE: ±3°		APVD	K. ODA	9/10'96	
MATERIAL 材料: BRASS (COLOR) 表参照 (SEE TABLE), PBT		PRODUCT SPEC	108-5452		
		APPLICATION SPEC	114-5159		
		NAME	20極 キャップハウジング アッセンブリ		
		製品規格	.040 II シリーズ マルチロック I/O コネクタ		
		取付適用規格	20Pos CAP HOUSING ASS'Y .040 II SERIES MULTILOCK I/O CONN		
		SIZE	A3		
		CAGE CODE	00779		
		DRAWING NO	C=316993		
		SCALE	2:1		
		SHEET	1	OF 1	
		REV	A		
		CUSTOMER DRAWING			