

SPECIFICATIONS

ELECTRICAL

SUPPLY VOLTAGE (USB BUS)	5.0V DC
SUPPLY CURRENT (USB BUS)	32mA max

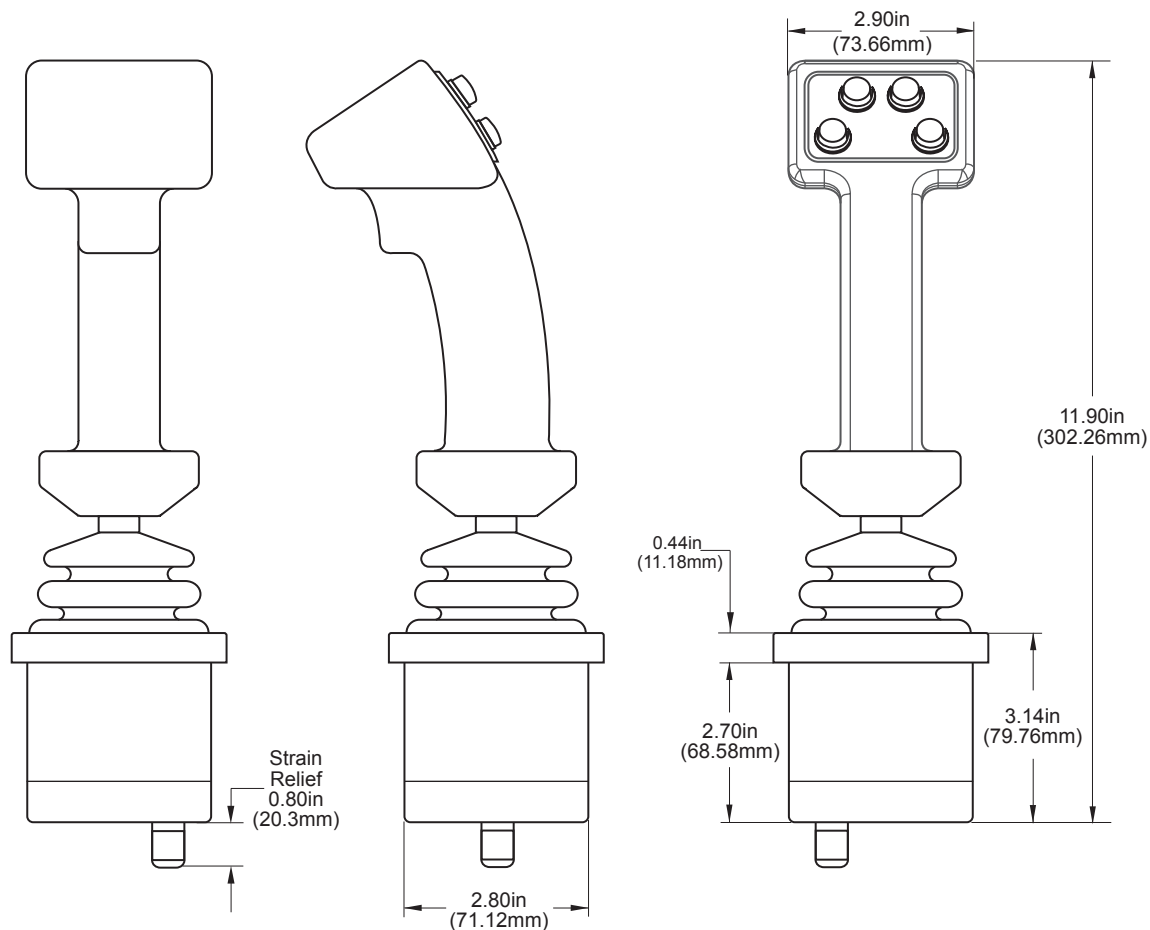
MECHANICAL

OPERATING TRAVEL	38° (19° from center)
CENTERING	Single spring, omnidirectional
BREAKOUT FORCE	1.3Nm
OPERATING FORCE	1.5Nm
MAXIMUM FORCE	1.7Nm
OPERATING TEMP	-40°C to +85°C
LIFE EXPECTANCY	10 million operations

WIRING

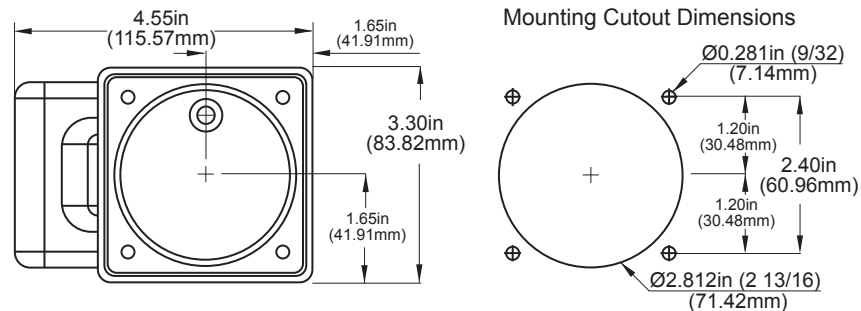
USB 1.1

RoHS compliant



Notes:

- Drop-in mounting only
- Standard HG joysticks are assembled with Strain Relief (.80in)
- Lower profile housings are also available (contact Sales for details)



CH
Products

P/N

HG-3340S000-U

REV

A

DESCRIPTION

Series IV – Multi, Square, 2 Axes, 4 Top Buttons, USB

PROPRIETARY AND CONFIDENTIAL

THE INFORMATION CONTAINED IN THIS DRAWING IS THE SOLE PROPERTY OF CH PRODUCTS. ANY REPRODUCTION IN PART OR AS WHOLE WITHOUT THE WRITTEN PERMISSION OF CH PRODUCTS IS PROHIBITED.