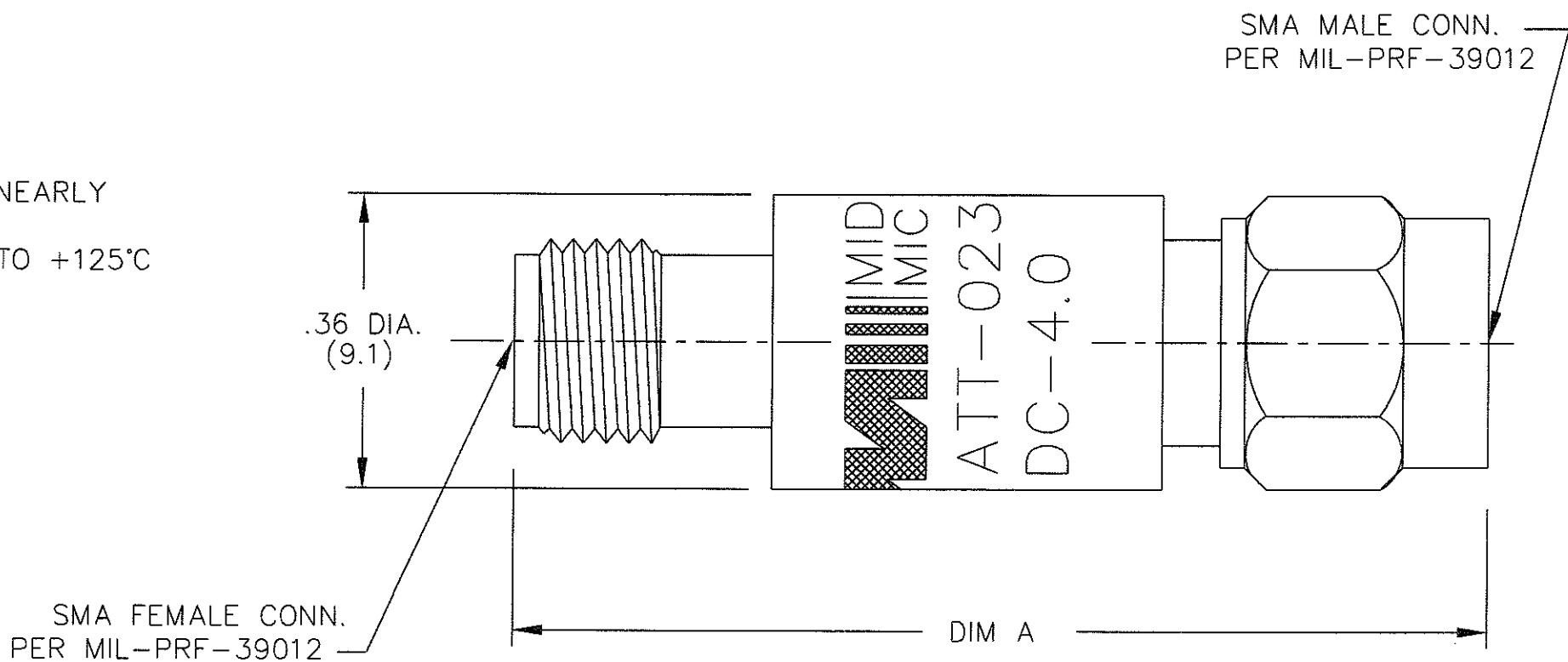


MODEL NUMBER
ATT-0238-XX-SMA-02
REV.
G

- NOTES:
- 1.0 ELECTRICAL SPECIFICATIONS:
 - 1.1 FREQUENCY RANGE: DC to 4.0 GHz
 - 1.2 ATTENUATION VALUES AND ACCURACY
 - 1.2.1 0 dB +0.3 dB
 - 1.2.2 1 to 10 dB ±0.3 dB
 - 1.2.3 11 to 20 dB ±0.5 dB
 - 1.2.4 21 to 40 dB ±1.0 dB
 - 1.2.5 41 to 60 dB ±1.5 dB
 - 1.3 VSWR: 1.07 + .015f (GHz)
 - 2.0 MAXIMUM INPUT POWER:
2 WATTS AVERAGE AT +25°C DERATED LINEARLY TO 0.5 WATTS AT +125°C
 - 3.0 OPERATING TEMPERATURE RANGE: -65°C TO +125°C
 - 4.0 MARKING: MARK UNIT AS SHOWN (REF.: INK-03804-27-01)
 - 5.0 DIMENSIONS IN PARENTHESIS ARE IN MILLIMETERS.



21 to 60 dB	1.49(37.8)
0 to 20 dB	1.20(30.5)
-XX- ATTENUATION VALUE	DIM A

REV.	DESCRIPTION	DATE
-	RELEASED	
A	ECR 3656	6-17-85
B	ECR 4003	11-1-85
C	ECR 4689	7-24-86
D	ECR 6545	7-20-89
E	ECR 6933	8-17-90
F	UPDATE MARKING	2/23/91
F1	UPDATE MODEL NO.	8/28/92
G	ECN 20115	10/5/04

WAS DWG. 02332-01-00

UNLESS OTHERWISE NOTED DIMENSIONS ARE IN INCHES AND TOLERANCES ARE: 3 PLACE DECIMALS ±.005 2 PLACE DECIMALS ±.02 FRACTIONS ±1/64 PARALLELITY: T.I.R. _____ FLATNESS: T.I.R. _____ CONCENTRICITY: T.I.R. _____ ANGLES AND PERPENDICULARITY: ±1'	FSCM NO. 34078	MIDWEST MICROWAVE		
	NOTICE: The information contained in this drawing is proprietary and must not be used without the permission of Midwest Microwave		TITLE MINIATURE ATTENUATOR	
	DRAWN/DATE D.ESTY 8/17/90	ENG./DATE G.KOZAK 2/25/91	DRAWING NUMBER ATT-0238-XX-SMA-02	
	CHECKED/DATE A.BEATTY 2/23/91	APPROVED/DATE	SCALE: 5=1	SHEET 1 of 1