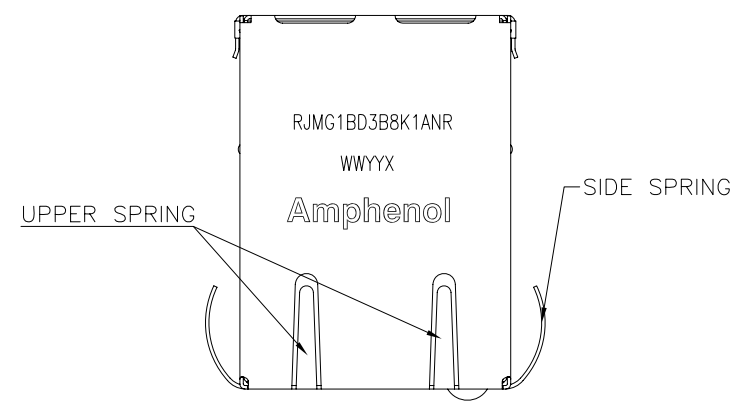
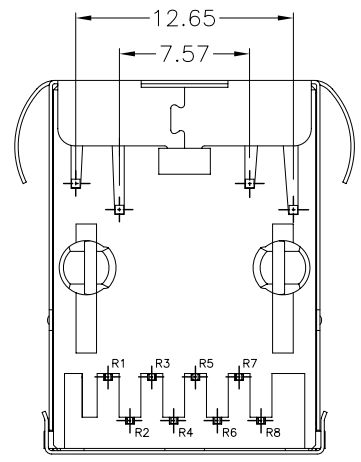
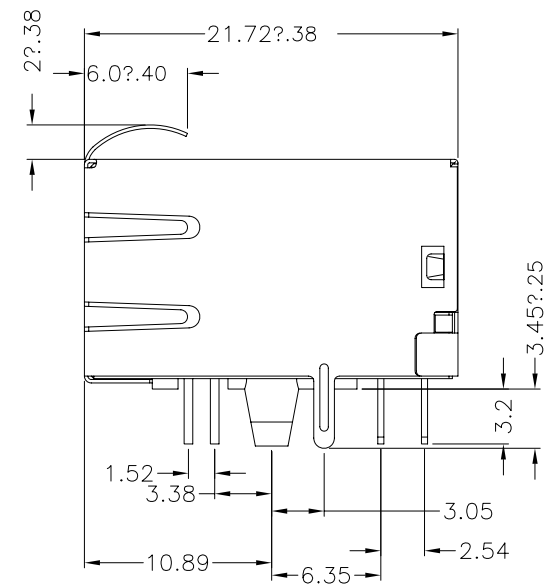
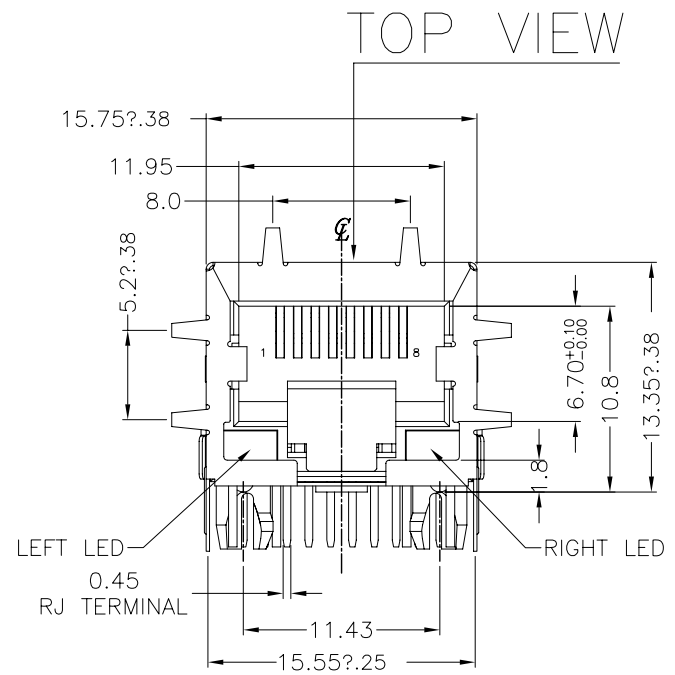


This document is the property of Amphenol Corporation and is delivered on the express condition that it is not to be disclosed, reproduced or used, in whole or in part, for manufacture or sale by anyone other than Amphenol Corporation without its prior consent, and that no right is granted to disclose or to use any information in this document.

CUSTOMER DRAWING ORIGINAL

REVISIONS				
SYM	ECN No.	DESCRIPTION	DATE	APPROVED
A		FIRST EDITION RELEASED	Aug.07.07	Greg L



TOLERANCE	m/m	APPROVALS	DATE	TITLE	Amphenol®		
x.	±0.30	DRAWN	Stone Lee	Aug.07.07	Amphenol Corporation Amphenol Taiwan Corporation		
x.x	±0.25	CHECKED	Jason Zhan	Aug.07.07			
x.xx	±0.13	APPROVED	Greg L	Aug.07.07			
x.xxx	±0.08						
ANGULAR	±1°				SCALE	N.A.	SHEET 1 OF 3
UNLESS OTHERWISE SPECIFIED				UNIT	MM	SIZE	A3
				DRAWING NO.	RJM1BD3B8K1ANR	DRAWING NO.	RJM1BD3B8K1ANR
				PART NO.	RJM1BD3B8K1ANR	REV.	A

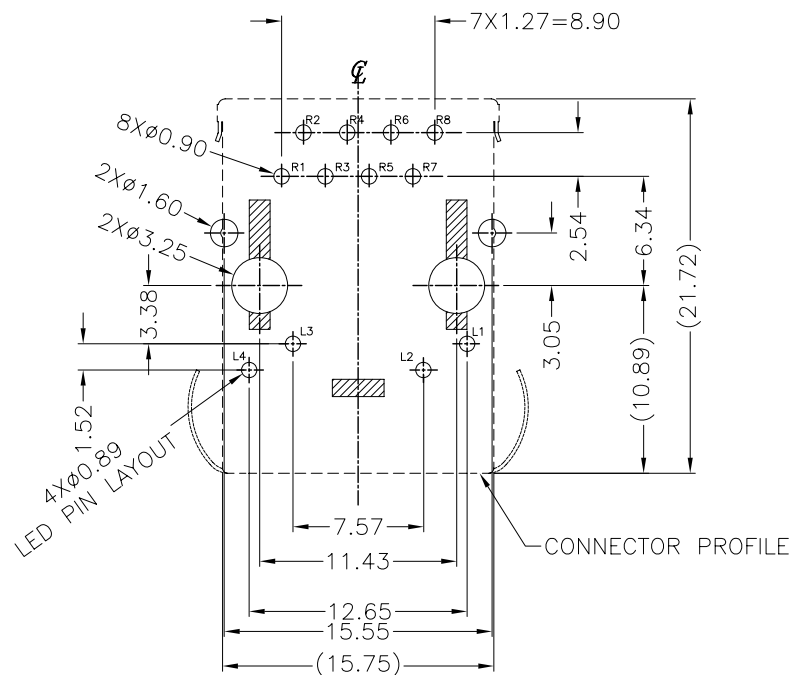
This document is the property of Amphenol Corporation and is delivered on the express condition that it is not to be disclosed, reproduced or used, in whole or in part, for manufacture or sale by anyone other than Amphenol Corporation without its prior consent, and that no right is granted to disclose or to use any information in this document.



CUSTOMER DRAWING ORIGINAL

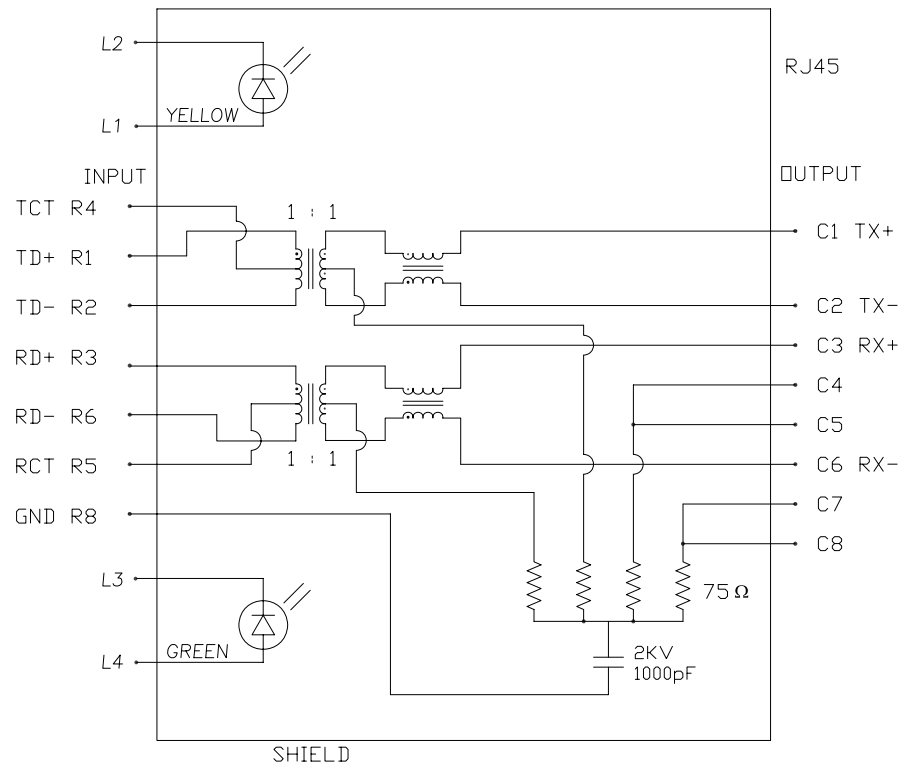


REVISIONS				
SYM	ECN No.	DESCRIPTION	DATE	APPROVED
A		FIRST EDITION RELEASED	Aug.07.07	Greg L



RECOMMENDED PCB LAYOUT COMPONENT SIDE

ALL DIMENSION TOLERANCE ARE ±.05mm UNLESS OTHERWISE SPECIFIED



TOLERANCE m/m	APPROVALS	DATE	TITLE		Amphenol®	
x. ±0.30	DRAWN Stone Lee	Aug.07.07	RJMG1B SERIES 10/100 BASE-T SINGLE PORT WITH FILTER & LED OPTION		Amphenol Corporation Amphenol Taiwan Corporation	
x.x ±0.25						
x.xx ±0.13	CHECKED Jason Zhan	Aug.07.07				
x.xxx ±0.08	APPROVED Greg L	Aug.07.07	SCALE N.A.	SHEET 2 OF 3		
ANGULAR ±1°			SIZE A3	PART NO. RJMG1BD3B8K1ANR	DRAWING NO. RJMG1BD3B8K1ANR	REV. A
UNLESS OTHERWISE SPECIFIED			UNIT MM			

This document is the property of Amphenol Corporation and is delivered on the express condition that it is not to be disclosed, reproduced or used, in whole or in part, for manufacture or sale by anyone other than Amphenol Corporation without its prior consent, and that no right is granted to disclose or to use any information in this document.



CUSTOMER DRAWING
ORIGINAL



REVISIONS				
SYM	ECN No.	DESCRIPTION	DATE	APPROVED
A		FIRST EDITION RELEASED	Aug.07.07	Greg L

MATERIALS:

1.Terminal Parts:

1.1.RJ Output Terminal :Phosphor Bronze,Thickness=0.30mm
Finish:Gold Flash on contact area,
100u" min. tin on solder tail area,
underplating 50~100u" Nickel over all.

1.2.RJ input Terminal :Brass,Thickness=0.35mm
Finish:100u" min. tin over 50~100u" Nickel.

1.3.Link Terminal :Brass,Thickness=0.25mm
Finish:100u" min. tin over 50~100u" Nickel.

2.Plastic Parts:

2.1.Housing : Thermoplastic,PA,Black,
UL FILE No. : E47960
Grade : TE250F6
Flame Class : UL94 V-0

2.2.Coil Case : Thermoplastic,PA,Black,
UL FILE No. : E47960
Grade : TE250F6
Flame Class : UL94 V-0

3.Shell Parts:

3.1.Front Shell : Stainless,Thickness=0.20mm,
3.2.Back Shell : Stainless,Thickness=0.20mm,
Grounding Leg : Pre-soldering.

OTHERS:

1.Operating Temperature : 0°C TO +70°C

2.Storage Temperature : -40°C TO +85°C

3.JACK CAVITY CONFORMS TO FCC RULES AND REGULATIONS PART 68 , SUBPART F

ELECTRICAL SPECIFICATION(@25° C)
CONNECTOR PERFORMANCE

PARAMETER	LIMITS (MAX. OR MIN.)	FREQUENCY RANGE/ TEST CONDITIONS
INSERTION LOSS (RX/TX)	-1.0dB MAX.	1-100 MHz
RETURN LOSS (RX/TX)	-18dB MIN. -16dB MIN. -12dB MIN.	1-30 MHz 30-60 MHz 60-80 MHz
CM-CM REJECTION	-30dB MIN.	1-100 MHz
CROSSTALK ISOLATION (RX/TX)	-30dB MIN.	1-100 MHz
HIPOT (ISOLATION)	1.5kVrms MIN.	60S
OCL	350uH MIN.	100KHz 100mV 8mA
TURN RATIO	1:1±5%	

TOLERANCE m/m	APPROVALS	DATE	TITLE	Amphenol® Amphenol Corporation Amphenol Taiwan Corporation				
x. ±0.30	DRAWN Stone Lee	Aug.07.07	RJMG1B SERIES 10/100 BASE-T SINGLE PORT WITH FILTER & LED OPTION	SCALE	N.A.			
x.x ±0.25	CHECKED Jason Zhan	Aug.07.07		SHEET	3 OF 3			
x.xx ±0.13	APPROVED Greg L	Aug.07.07		DRAWING NO.	RJMG1BD3B8K1ANR			
x.xxx ±0.08				REV.	A			
ANGULAR ±1°			UNIT	MM	SIZE	A3	PART NO.	RJMG1BD3B8K1ANR
UNLESS OTHERWISE SPECIFIED								