

### FD5-12

#### Description:

The FD5-12 Quick Pack small power transformer offers a significant reduction in size and weight over a standard transformer. This transformer can be used for a wide variety of applications. It is bobbin wound for reduced size and small operating space.

#### Electrical Specifications (@25C);

**Maximum Power:** 12.0VA

#### Input Voltage:

**Series:** 230VAC@50/60Hz

**Parallel:** 115VAC@50/60Hz

**Output Voltage:** 12.6VCT@1.0A<sup>1</sup>

**Recommended Fuse:** UL listed 250VAC, 1.25A, Slo-Blo

**Hipot:** 2500VAC primary to secondary; 1500VAC windings to core.

#### Construction:

Split bobbin non concentric winding eliminates costly electrostatic shielding. Termination is suitable for quick connects or soldering. Built with UL Class B Insulation System.

#### Safety:

UL: File E53148, UL 5085-1 and 2 (formerly UL 506), General Purpose.

UL: File E65390, UL5085-1 and 3, Class 2 not wet, Class 3 wet



#### Dimensions:

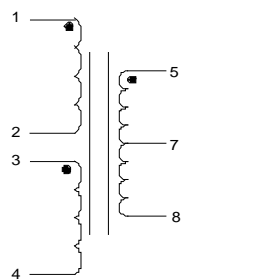
A	B	C	D	E	F	G
1.625	2.375	2.812	1.375	1.937	.187 Dia	.812

**Notes:** 1. Units: inches.

2. Terminal size: .187" X 0.021".

3. Weight: .70 lbs

#### Schematic:



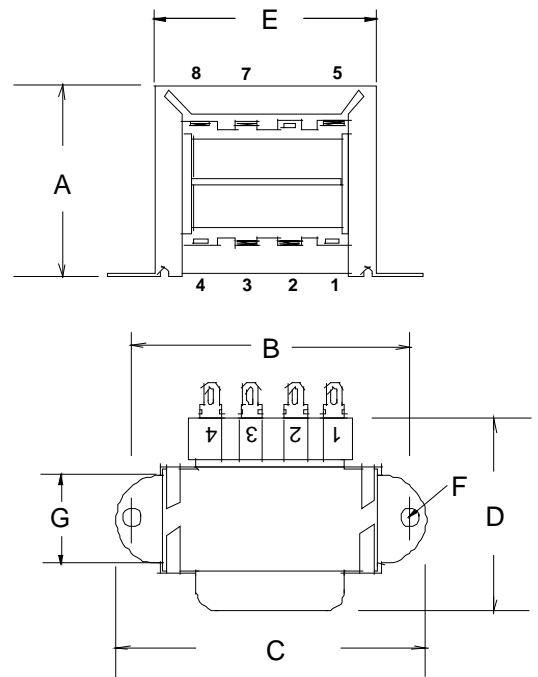
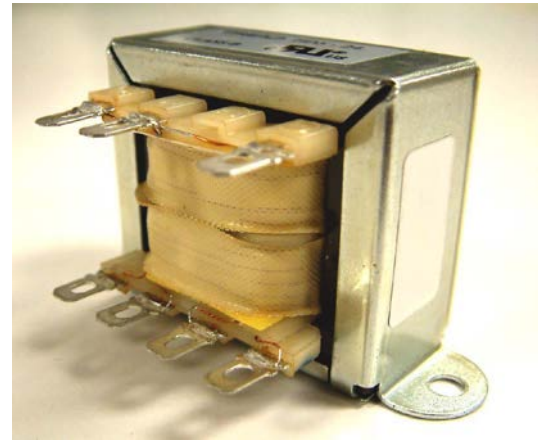
**Output:** 5 & 8

**Input (115V):** Input 1 & 2  
Connect 1&3, 2&4

**Input (230V):** Input 1 & 4  
Connect 2&3

**RoHS Compliance:** As of manufacturing date February 2005, all standard products meet the requirements of 2011/65/EU, known as the RoHS initiative.

\* Upon printing, this document is considered "uncontrolled". Please contact Triad Magnetics' website for the most current version.



<sup>1</sup> Fuse must be used on **secondary** as conditions of acceptability for UL Class 2/3 operation