
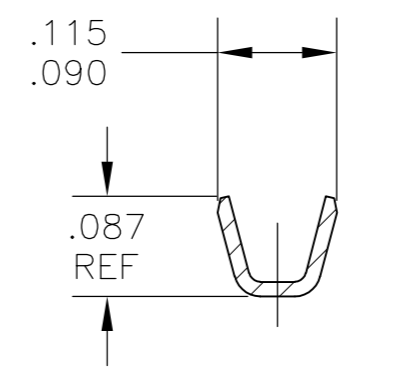
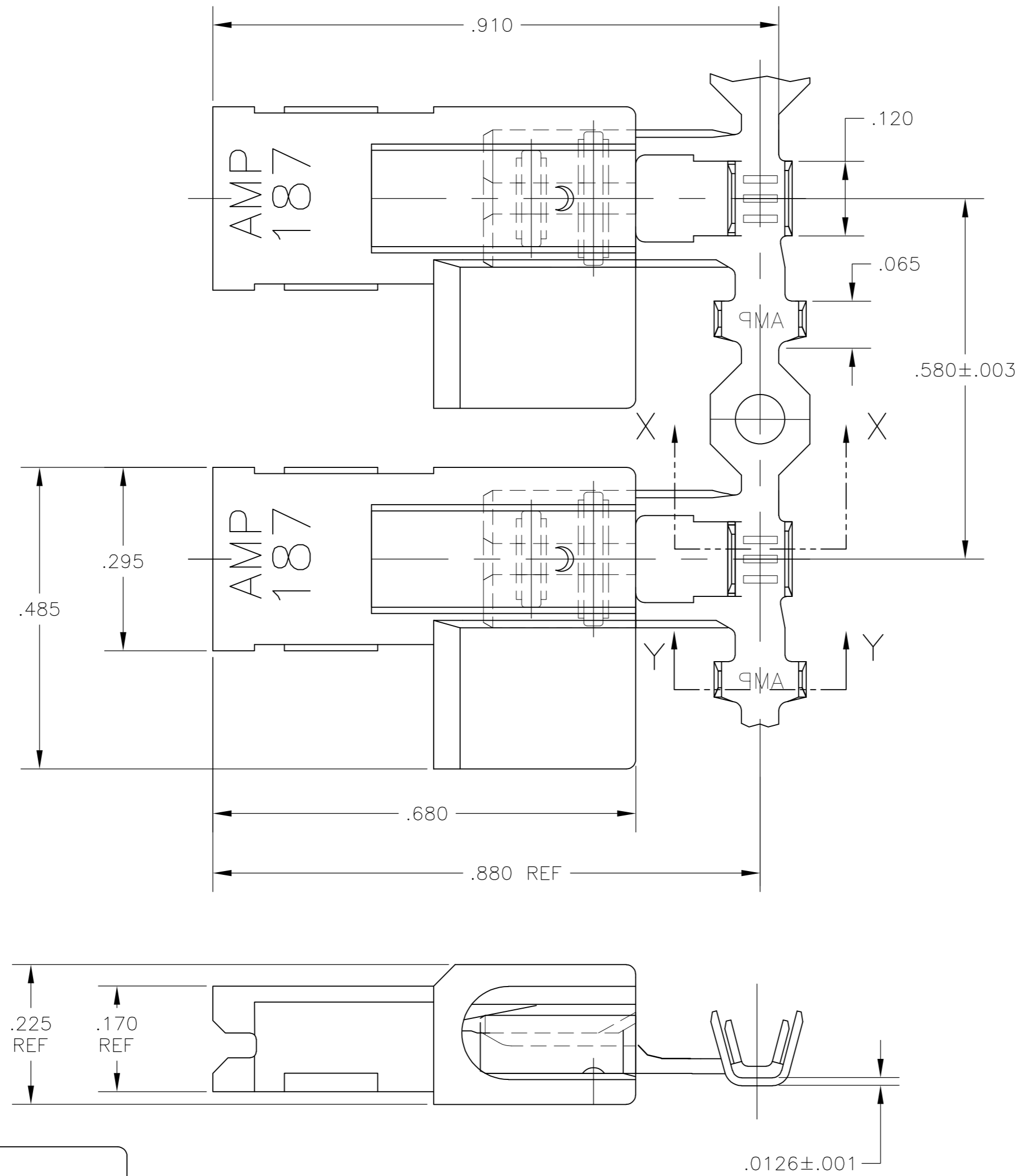


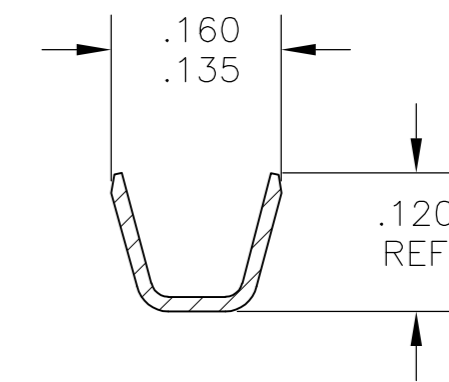
THIS DRAWING IS UNPUBLISHED. RELEASED FOR PUBLICATION
 © COPYRIGHT - By - ALL RIGHTS RESERVED.

LOC	DIST	REVISIONS			
P	LTR	DESCRIPTION	DATE	DWN	APVD
AF	50	REVISED PER ECR-12-013062	17DEC12	KH	KR

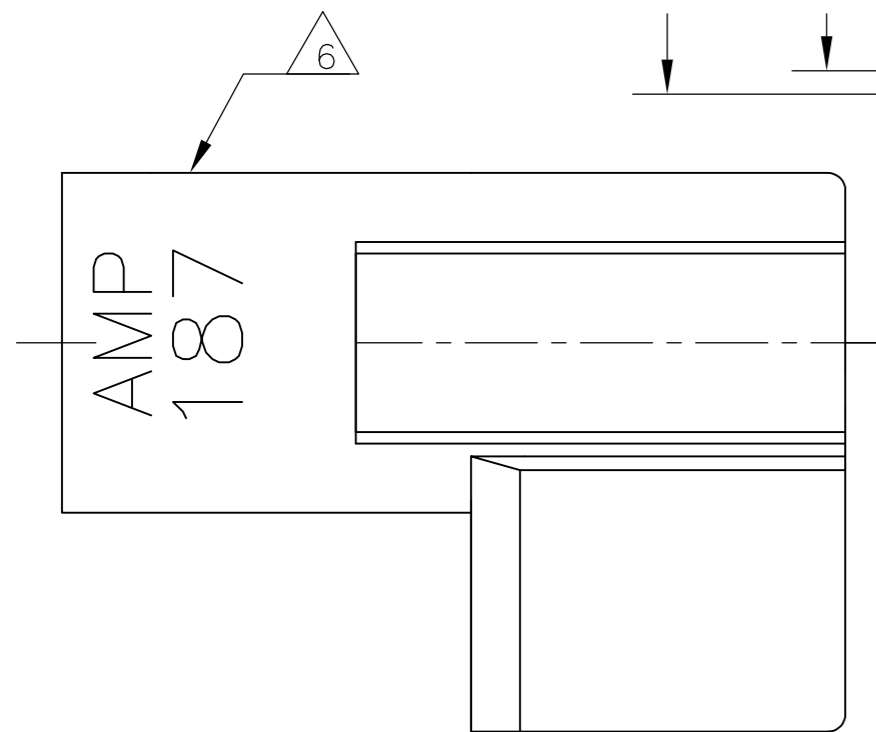
- 1 USE FLAG FASTON TERMINAL BASE
- 2 WIRE SIZE IS #22-#18 AWG
- 3 INSULATION RANGE IS .060-.110 DIA
- 4 MATERIAL;
TERMINAL: BRASS, FINISH: SEE TABLE
HOUSING: NYLON, NATURAL COLOR
- 5 FITS .187 X .032 THK FASTON TAB
- 6  ALTERNATIVE HOUSING FORM



SECTION X-X



SECTION Y-Y



THIS DRAWING IS A CONTROLLED DOCUMENT.		DWN	JR RUTH	30JUL03
DIMENSIONS: INCHES		CHK	J HUMMEL	24JUL03
TOLERANCES UNLESS OTHERWISE SPECIFIED:		APVD	KRISTY YI	24JUL03
0 PLC	± -	PRODUCT SPEC	NAME	
1 PLC	± -	APPLICATION SPEC	ASSEMBLY, RECPT, FLAG, ULTRA-POD, .187 SERIES	
2 PLC	± -		WIRE SIZE: 22-18 AWG	
3 PLC	± .010		SIZE	CAGE CODE
4 PLC	± -		A2	00779
ANGLES	± -	WEIGHT	DRAWING NO	RESTRICTED TO
FINISH	SEE NOTES	CUSTOMER DRAWING	C=521600	-
SCALE 6:1		SHEET 1 of 1		REV E

.000040 MIN TIN PLATE	521600-2
NO PLATING	521600-1
TERMINAL: FINISH	PART NO.

