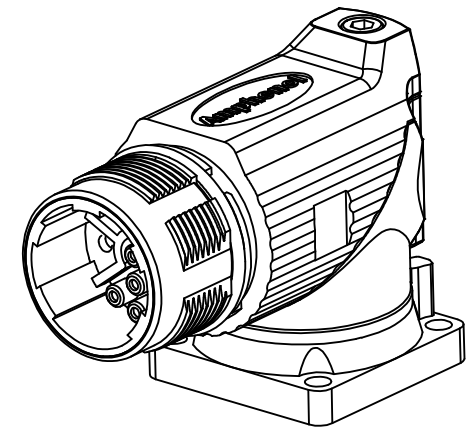
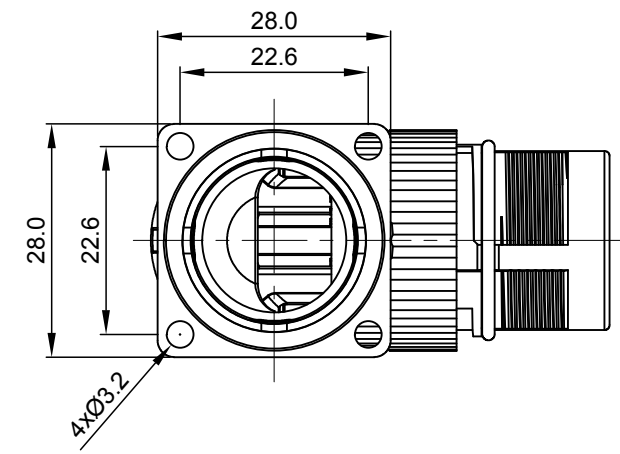
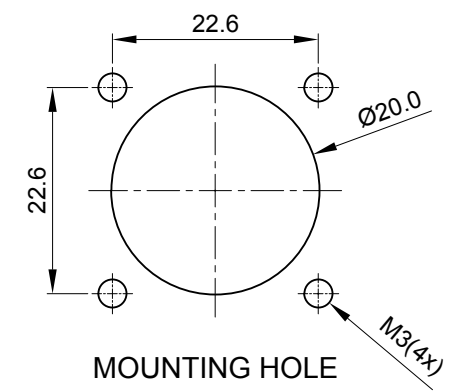
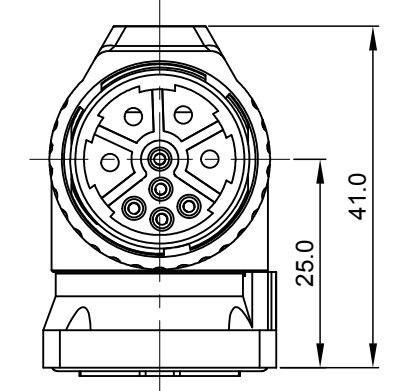
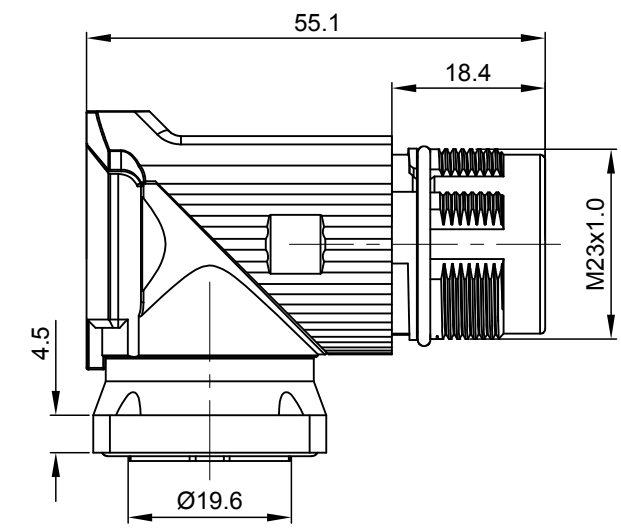
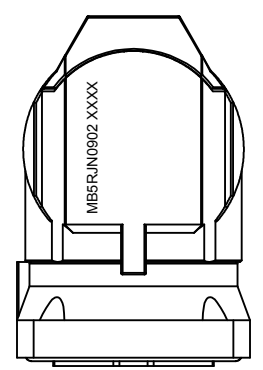


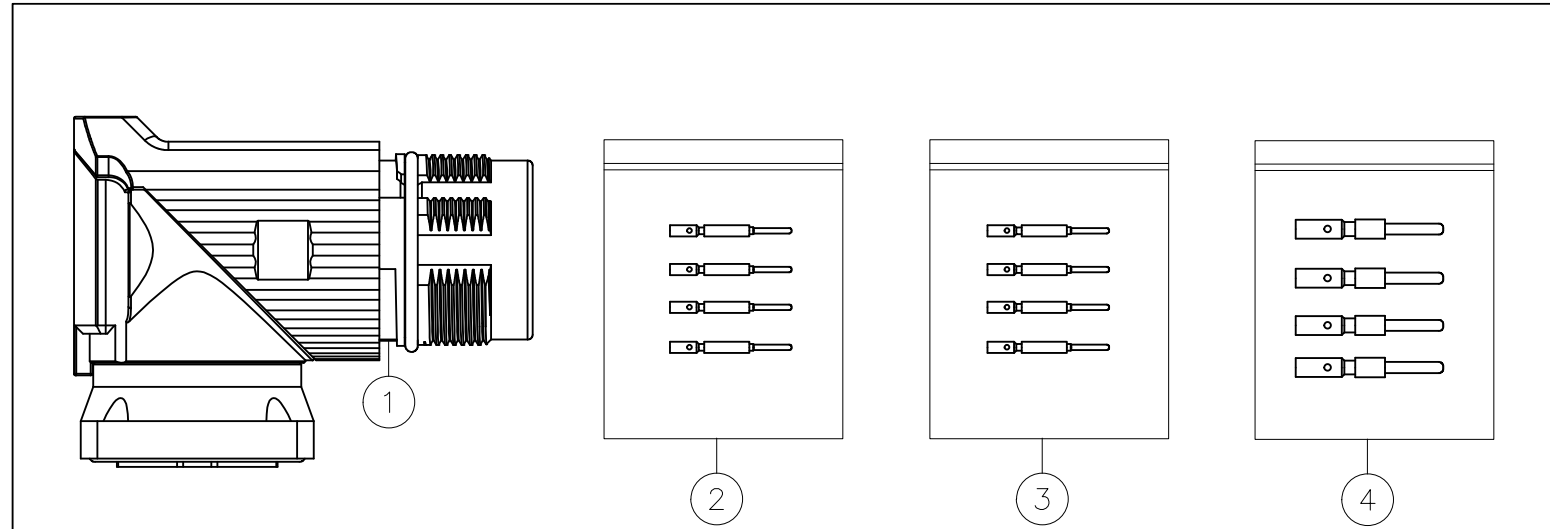
REVISIONS					
REV	ECO	DESCRIPTION	DATE	BY	APPR
A1	-	FIRST RELEASE	Jan.12.2018	White	Tommy



NOTES: UNLESS OTHERWISE SPECIFIED

- MATERIAL:
 - INSULATION INSERT: PA66, UL94 V0
 - SEAL: VITON
 - HOUSING BODY: ZINC DIE CAST, NICKEL PLATED
 - COUPLING NUT: COPPER ALLOY, NICKEL PLATED
- SPECIFICATIONS:
 - 2.1 CURRENT RATING: SIGNAL: 10 AMPS
POWER: 30AMPS
 - 2.2 VOLTAGE RATING: SIGNAL: 250V AC/DC
POWER: 630V AC/DC
 - 2.3 OPERATING TEMPERATURE: -20°C TO +130°C
 - 2.4 DIELECTRIC WITHSTANDING VOLTAGE: LESS THAN 2 MILLIAMPS CURRENT LEAKAGE @ SIGNAL: 2500VOLTS AC.
POWER: 6000 VOLTS AC.
 - 2.5 DEGREE OF PROTECTION: IP67 (MATED CONDITION)
 - 2.6 DEGREE OF POLLUTION: 3 PER UL840
 - 2.7 OVERVOLTAGE CATEGORY: III PER UL840
 - 2.8 MATING CYCLE DURABILITY: >500 CYCLES
 - 2.9 RoHS COMPLIANT

3. ALL DIMENSIONS ARE FOR REFERENCE USE ONLY.



QUANTITY	PART NUMBER	DESCRIPTION	ITEM
4	SC000262	CONTACT, PIN, Ø2.0mm, CRIMP 14~18AWG	4
5	SC000386	CONTACT, PIN, Ø1.0mm, CRIMP 24~28AWG	3
5	SC000261	CONTACT, PIN, Ø1.0mm, CRIMP 18~22AWG	2
1	MB7RJN0902	CONNECTOR	1

SIGNATURES		DATE	MATERIALS LIST	
DRAWN:	White	Jan.12.2018	<h1>Amphenol</h1> <p>Sine Systems - www.amphenol-sine.com 44724 Morley Drive Clinton Township, MI 48036</p> <p>KIT,M23B,REC.,RA,9POS(4+5),FLANGE MOUNT</p>	
CHECKED:	Tod	Jan.12.2018		
ENGINEER:				
APPROVAL:	Tommy	Jan.12.2018		
MATERIAL SPECIFICATIONS:			SIZE	REVISION
PROCESS SPECIFICATIONS:			B	A1
NEXT ASSY:			SCALE	
			NONE	

TITLE: KIT,M23B,REC.,RA,9POS(4+5),FLANGE MOUNT
 DWG NO: MB7RJN0902-KIT
 REV: A1
 SH: 1
 OF: 1