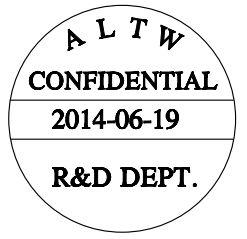
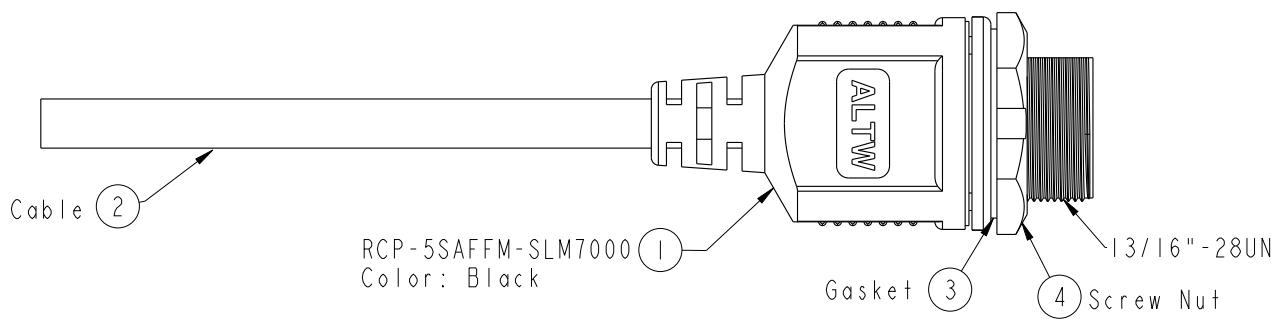
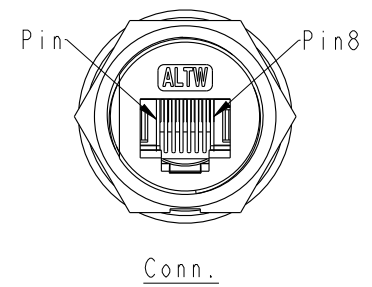
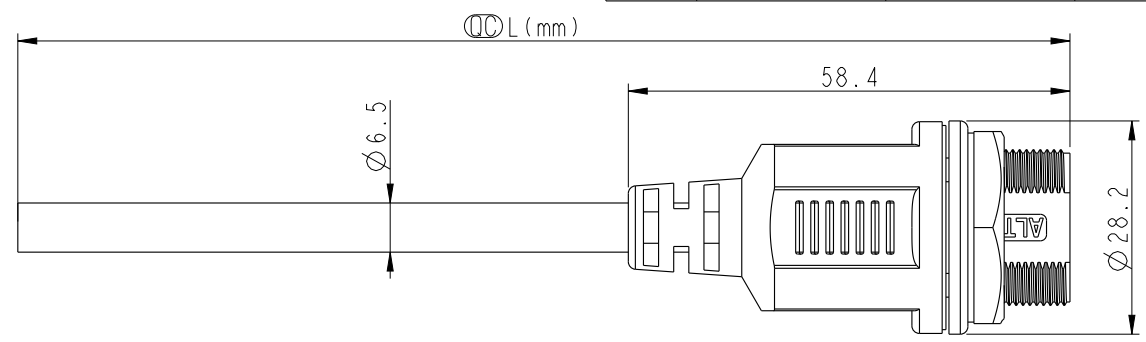
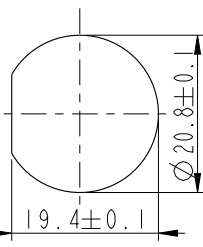


THIS DOCUMENT IS SUBJECT TO CHANGE WITHOUT NOTICE. IT IS CONFIDENTIAL AND A PROPERTY OF Amphenol LTW. DISCLOSURE TO THIRD PARTY HAS TO BE AUTHORIZED BY Amphenol LTW.

REV.	ECN NO.	DATE	SIGN	DESCRIPTION
A	Initial Release	2014/06/19	Tom	Change Rev. I To Rev. A



Drain Wire	地線	Shield	
Brown	棕	8	Twist 對線
White/Brown	白/棕	7	
Green	綠	6	Twist 對線
White/Blue	白/藍	5	
Blue	藍	4	Twist 對線
White/Green	白/綠	3	
Orange	橙	2	Twist 對線
White/Orange	白/橙	1	
Wire Color		Conn.	
Pin Out			



Recommended Panel Cut-Out

RCP-5SAFFM-SLM7BXX  
 XX:01~99Meter  
 01:01Meter  
 02:02Meters  
 :  
 :  
 99:99Meters  
 Cable Length(L):01~99Meters

Note:  
 \* Ⓞ Important Dimension To Check.  
 \* Waterproof Rate: IP67  
 \* Connector : Nylon+GF, Black  
 \* Cable : CAT5E FTP 24AWG\*4P+My+Drain +AL/My (UV Resistant ),OD=6.5mm, Black  
 \* Cable Length Tolerance: 01M:±40mm  
 02M~05M:±60mm  
 06M~10M:±100mm  
 11M~30M:±200mm  
 31M~99M:±500mm

UNIT:mm	
TOLERANCE	±0.5

TITLE RJ45 Cable Screw Cat 5E F Conn F Pin			
SCALE 1:1	SIZE A4	SHEET 1 OF 1	
REV. A	WC-REV. A.3	Ⓞ: Inspection item	

**Amphenol LTW**  
 安費諾亮泰企業股份有限公司

ITEM NO	DRAWN BY Tom	DATE 2014-06-19
DWG NO RCP-5SAFFM-SLM7BXX	CHECKED BY Jerry	DATE 2014-06-19
CUSTOMER ALTW	APPROVED BY Victor	DATE 2014-06-19