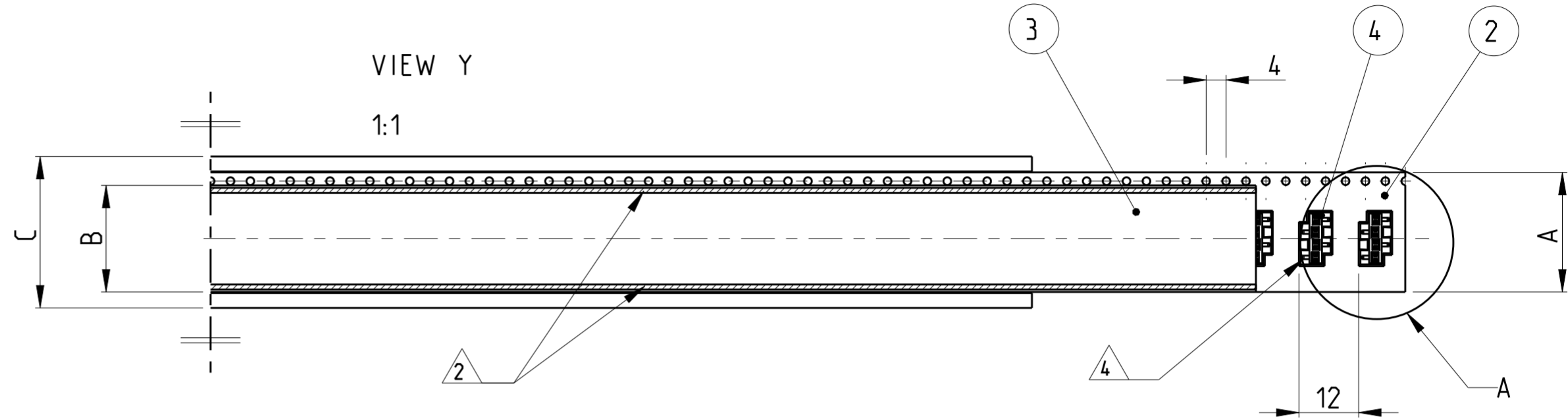
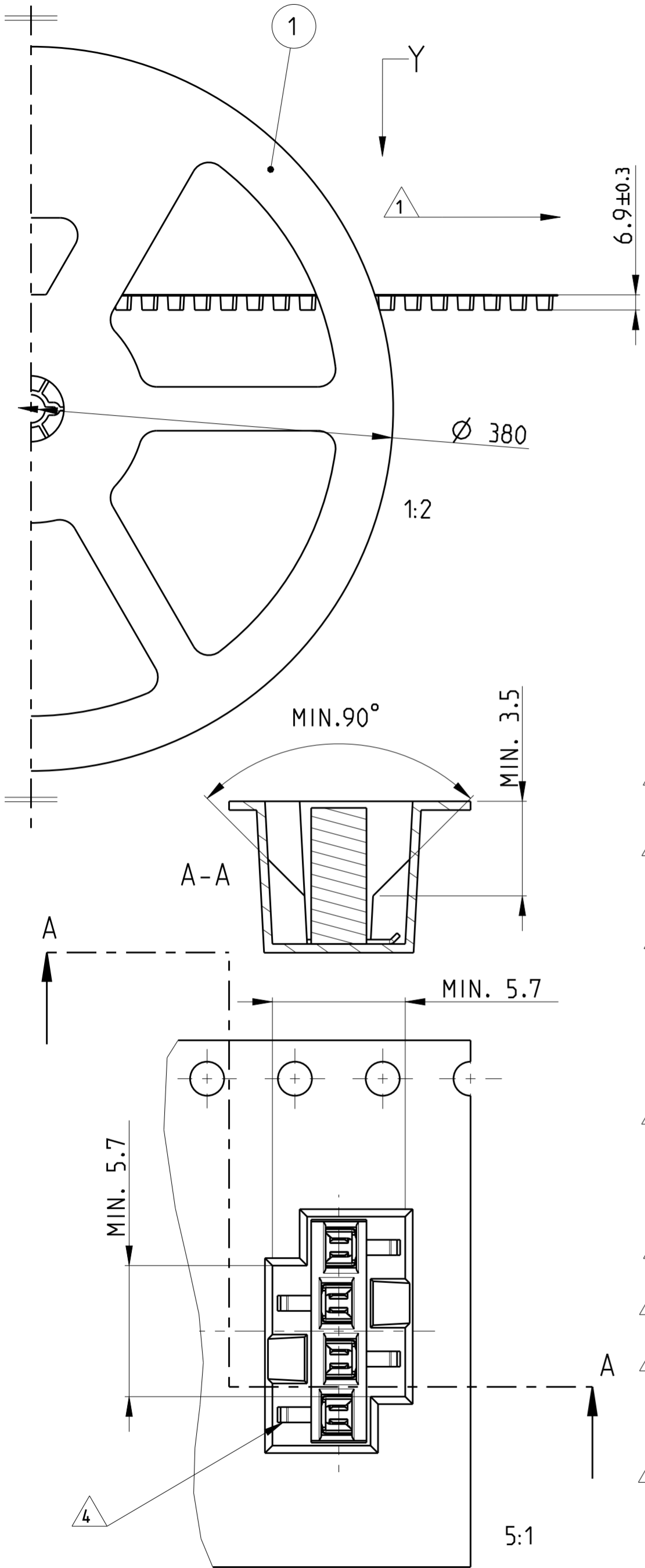


THIS DRAWING IS UNPUBLISHED. RELEASED FOR PUBLICATION 2007
 © COPYRIGHT 2007 BY - ALL RIGHTS RESERVED.

LOC	DIST	REVISIONS			
P	LTR	DESCRIPTION	DATE	DWN	APVD
A1	-				
D		CONTACT BEND ANGLE CHANGE TO 32°	11DEC2012	KJK	RP



NOTES:

- 1 DIRECTION OF THE TOP OF THE REEL
- 2 COVER TAPE WITH BLISTER BELT WELDED
- 3 PACKING: 1100 CONNECTORS PER REEL
13.8m BLISTER PER REEL
13.8m COVER TAPE PER REEL
- 4 SOLDERLEGS 1. POS. OF EACH CONNECTOR AS SHOWN IN SHEET 2
- 5 PACKING ACCORDING TO DIN/IEC 286 RESPECTIVELY EIA 481 INCLUDING DECLARATIONS OF THE FIRST AND LAST RUNNING (DIN/IEC 286 PART 3)
- 6 SEE SHEET 2

BEMERKUNGEN:

- 1 ABWICKELRICHTUNG
- 2 ABDECKBAND MIT BLISTERGURT VERSCHWEIßT
- 3 VERPACKUNG: 1100 BUCHSENSTECKER PRO SPULE
13.8m BLISTERGURT PRO SPULE
13.8m ABDECKBAND PRO SPULE
- 4 LÖTBEINCHEN 1. POS. BEI JEDEM STECKER WIE GEZEICHNET AUF SHEET 2
- 5 VERPACKUNG ENTSPRECHEND DIN/IEC 286 BZW. EIA 481 INKLUSIVE DER ANGABEN ÜBER DEN VOR- UND NACHLAUF (DIN/IEC 286 TEIL 3)
- 6 SIEHE SHEET 2

Das mit dieser Zeichnung vorgestellte Produkt wird hiermit zur Fertigung der notwendigen Produktionswerkzeuge freigegeben. Nachträgliche Änderungswünsche gehen zu Lasten des Auftraggebers.

.....
 Datum, Firmenstempel und Unterschrift des Auftraggebers

ITEM NO	DESCRIPTION	SURFACE COLOUR	MATERIAL	ITEM NO
3	HV100 CONNECTOR, SMD, 4 POS.	6	6	4
3	COVER TAPE B=21.4mm	TRANSPARENT	PET	3
3	BLISTER BELT A=24mm	BLACK	PS	2
3	REEL Ø380mm, C= 30.4mm	BLACK	PS	1

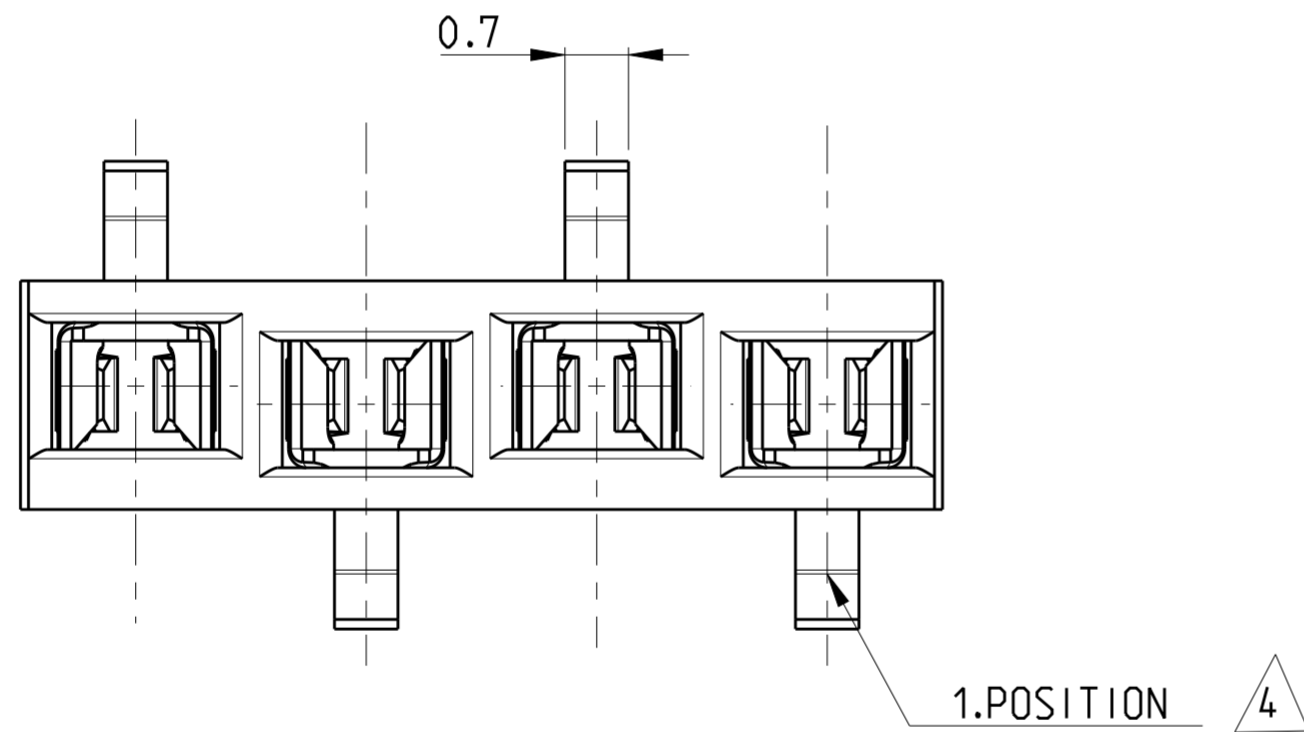
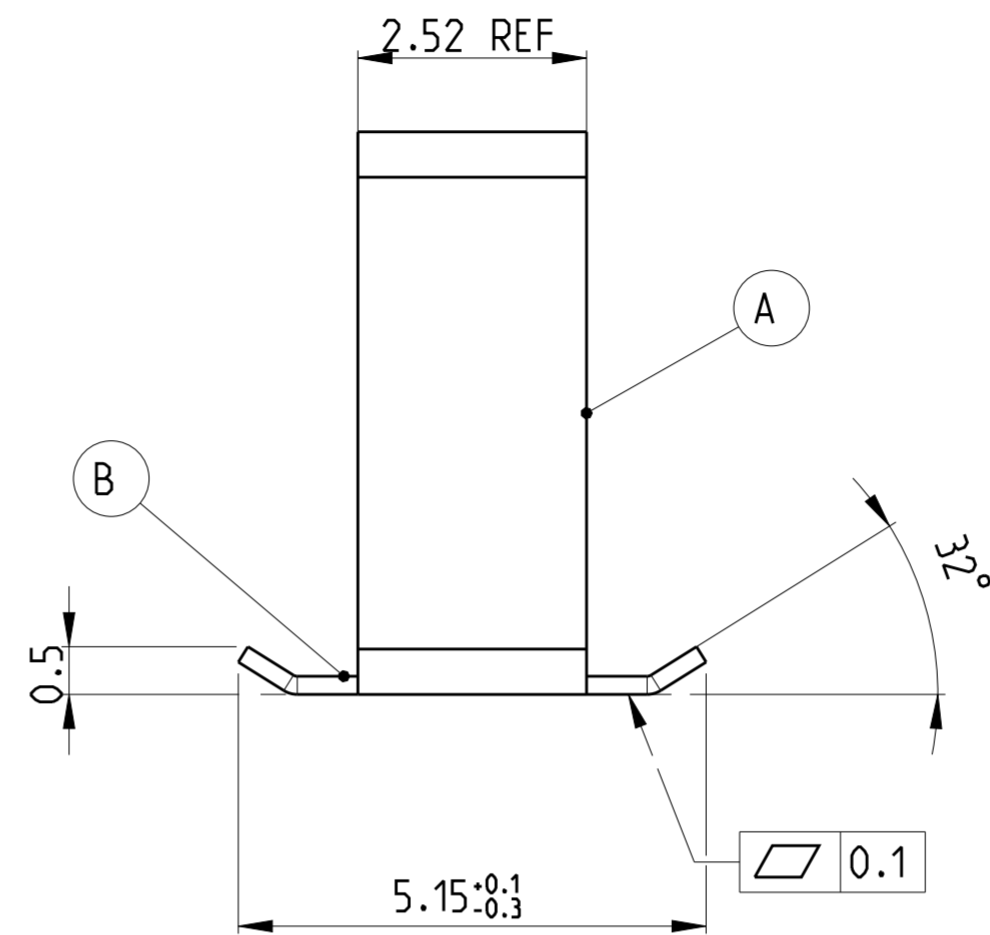
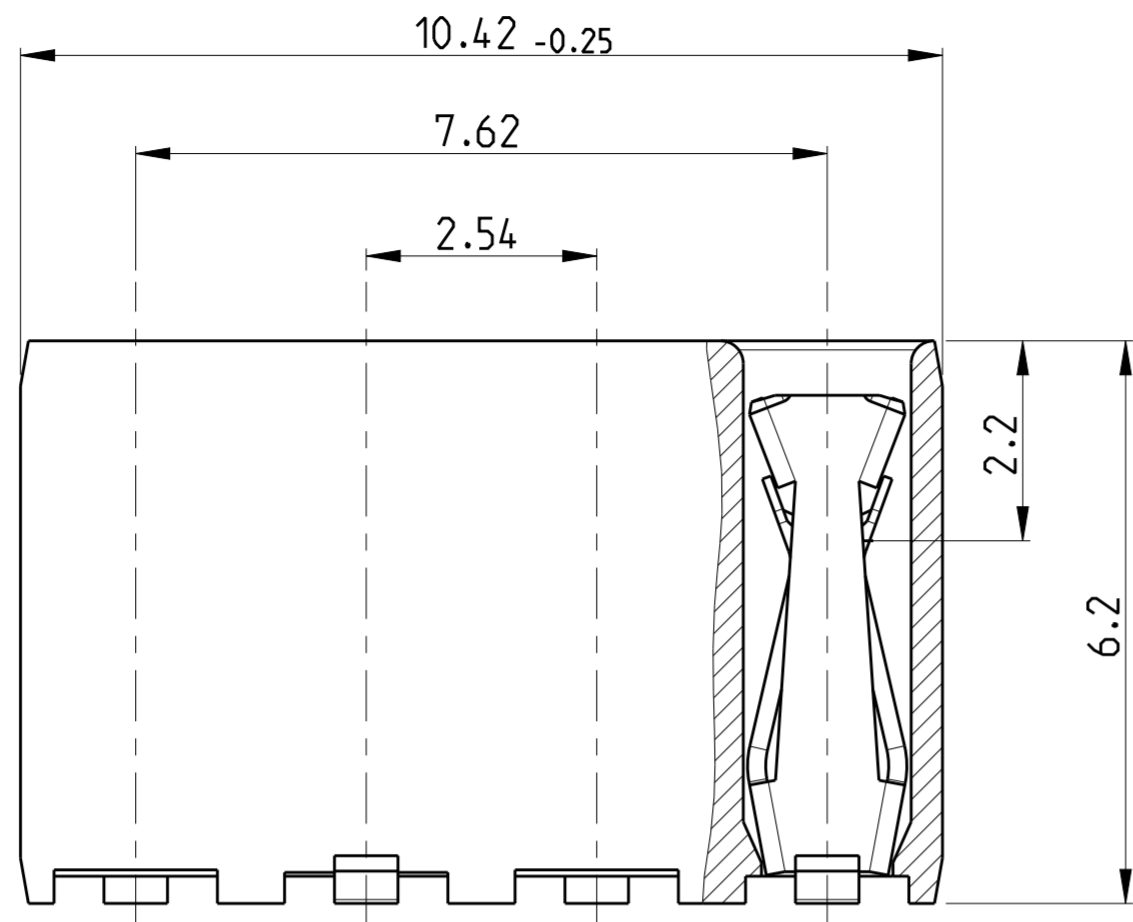
ORDER NO 0-1987001-4

THIS DRAWING IS A CONTROLLED DOCUMENT.

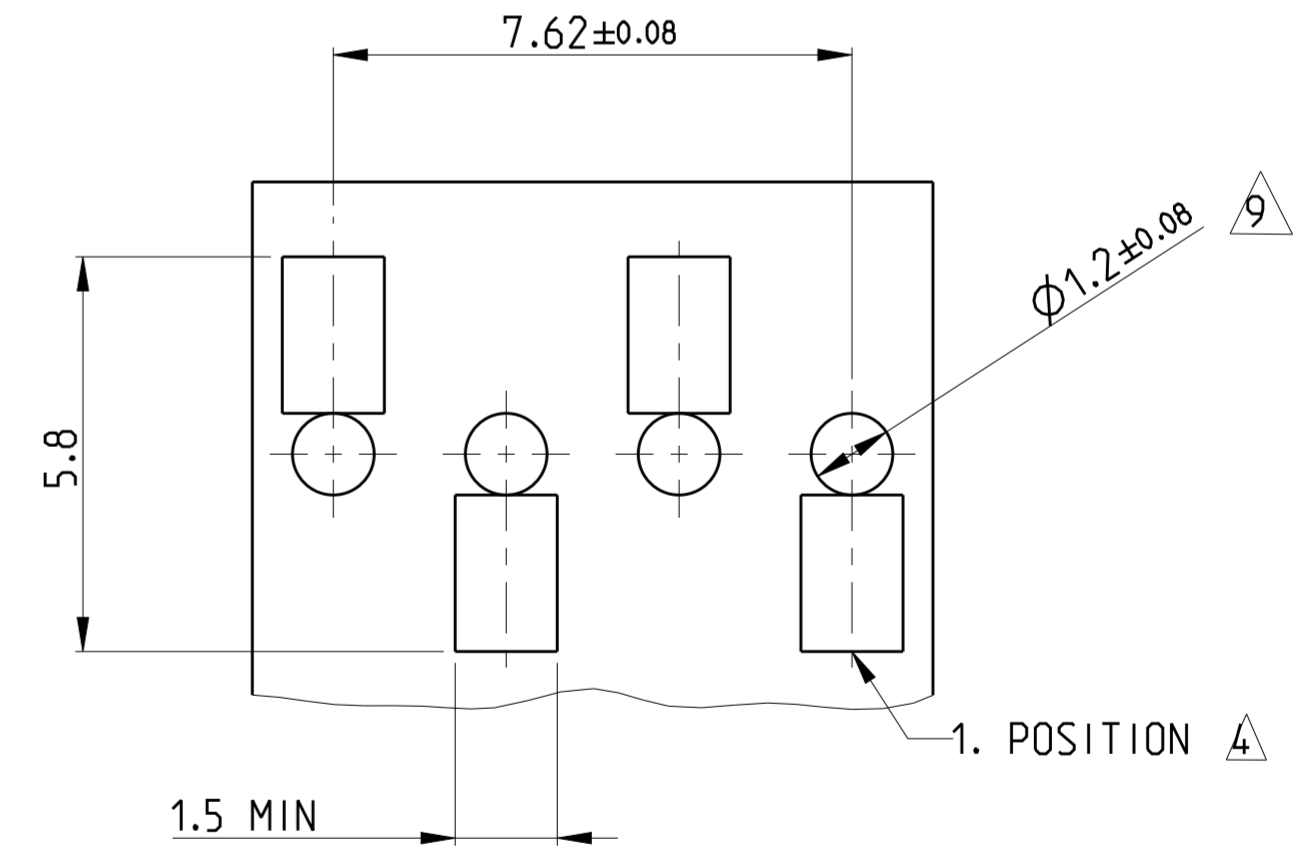
DIMENSIONS: mm	TOLERANCES UNLESS OTHERWISE SPECIFIED:	DWN G. ACKERMANN 27MAR2007	 TE Connectivity
		CHK N. GEISTER 27MAR2007	
		APVD M. SCHAARSTHMIDT 29MAR2007	
		PRODUCT SPEC	
MATERIAL SEE TABLE	SEE TABLE	NAME HV100 RECEPTACLE CONNECTOR SINGLE ROW, SMD, PACKED IN BLISTER GOLD VERSION	RESTRICTED TO
		SIZE A2	CAGE CODE 00779
		DRAWING NO C-1987001	SCALE 9:1
		Customer Drawing	SHEET 1 OF 2
			REV D

THIS DRAWING IS UNPUBLISHED. RELEASED FOR PUBLICATION 2007
 © COPYRIGHT 2007 BY - ALL RIGHTS RESERVED.

LOC	DIST	REVISIONS			
P	LTR	DESCRIPTION	DATE	DWN	APVD
A1	-	SEE SHEET 1	-	-	-



Recommended PCB Layout



- NOTE
- 7. CONTACT RANGE: 0.8 μm GOLD OVER 1.3 μm Ni
SOLDERING RANGE: 2.5 μm TIN OVER 1.3 μm Ni
 - 8. CAN BE PLUGGED IN WITH MODU II PINS
Ø0.63 OR □0.63 TOP OR BOTTOM ENTRY
 - 9. ONLY WITH THE BOTTOM ENTRY

HV 100 CONTACT	CuSn	7	B
HV 100 HOUSING	LCP	BLACK	A
DESCRIPTION	MATERIAL	FINISH/COLOR	SL.NO

THIS DRAWING IS A CONTROLLED DOCUMENT.	
DIMENSIONS: mm	TOLERANCES UNLESS OTHERWISE SPECIFIED: 0 PLC ± 1 PLC ±0.20 2 PLC ±0.20 3 PLC ± 4 PLC ± ANGLES ± 5° FINISH
MATERIAL SEE TABLE	SEE TABLE

DWN G. ACKERMANN 27MAR2007 CHK N. GEISTER 27MAR2007 APVD M. SCHAARSTHIMDT 29MAR2007		STE TE Connectivity	
PRODUCT SPEC - APPLICATION SPEC - WEIGHT -		NAME HV100 RECEPTACLE CONNECTOR SINGLE ROW, SMD, PACKED IN BLISTER GOLD VERSION	
SIZE A2	CAGE CODE 00779	DRAWING NO. C-1987001	RESTRICTED TO -
Customer Drawing		SCALE 9:1	SHEET 2 OF 2 REV D