

POSITIONS/ CONTACTS	A		B	
	INCH	MM	INCH	MM
03/12	0.157	4.00	0.236	6.00
04/16	0.236	6.00	0.315	8.00
05/20	0.315	8.00	0.394	10.00
06/24	0.394	10.00	0.472	12.00
07/28	0.472	12.00	0.551	14.00
08/32	0.551	14.00	0.630	16.00
09/36	0.630	16.00	0.709	18.00
10/40	0.709	18.00	0.787	20.00
11/44	0.787	20.00	0.866	22.00
12/48	0.866	22.00	0.945	24.00
13/52	0.945	24.00	1.024	26.00
14/56	1.024	26.00	1.102	28.00
15/60	1.102	28.00	1.181	30.00
16/64	1.181	30.00	1.260	32.00
17/68	1.260	32.00	1.339	34.00
18/72	1.339	34.00	1.417	36.00
19/76	1.417	36.00	1.496	38.00
20/80	1.496	38.00	1.575	40.00
21/84	1.575	40.00	1.654	42.00
22/88	1.654	42.00	1.732	44.00
23/92	1.732	44.00	1.811	46.00
24/96	1.811	46.00	1.890	48.00
25/100	1.890	48.00	1.969	50.00
26/104	1.969	50.00	2.047	52.00
27/108	2.047	52.00	2.126	54.00
28/112	2.126	54.00	2.205	56.00
29/116	2.205	56.00	2.283	58.00
30/120	2.283	58.00	2.362	60.00

PART NUMBER CODING

NRPNxx4RCCN-RC

NUMBER OF POSITIONS

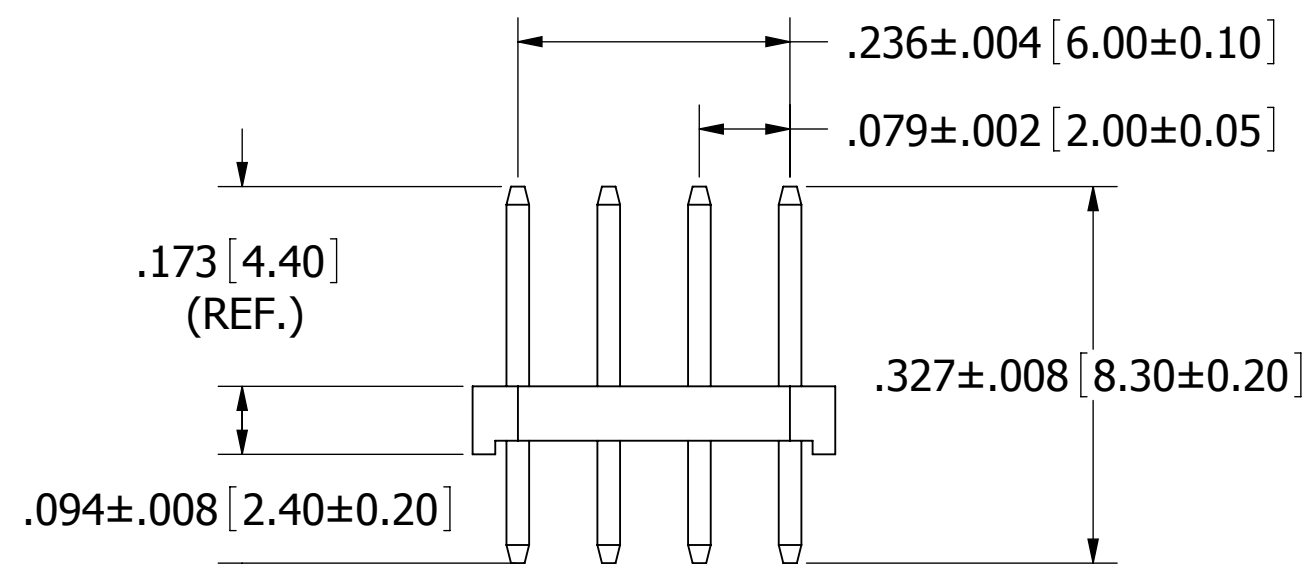
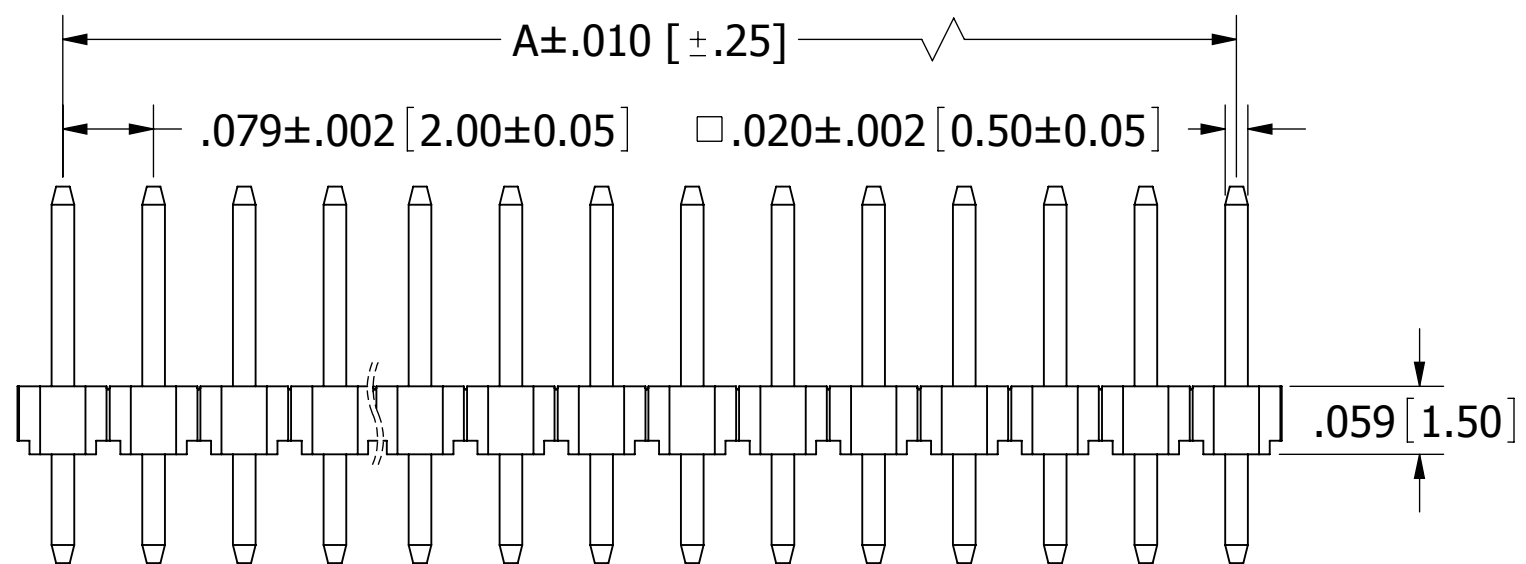
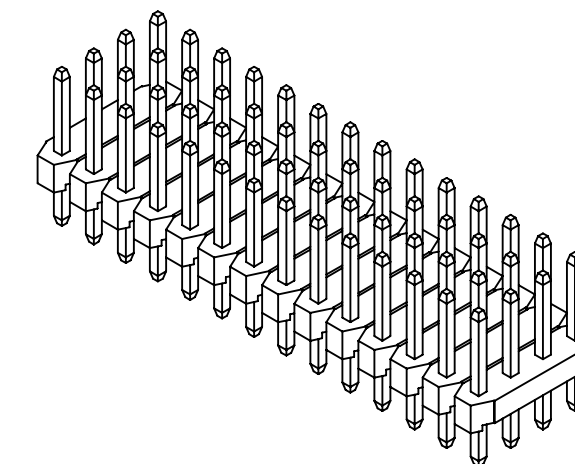
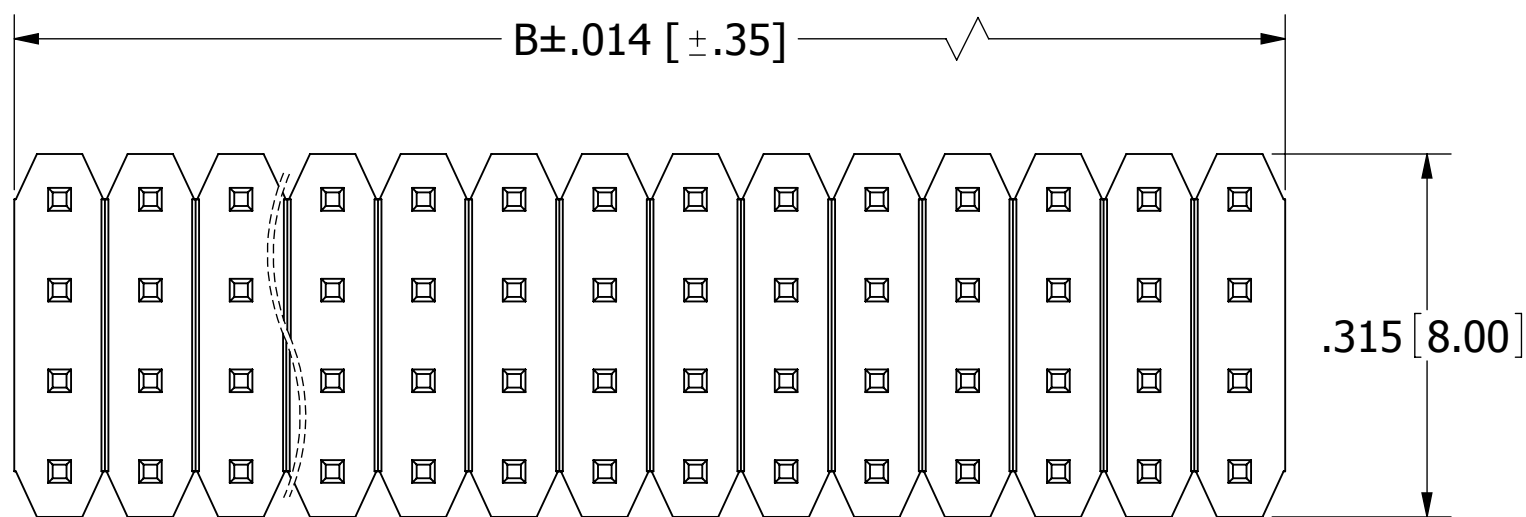
(CONTACTS PER ROW, 3 THRU 30)

INSULATOR MATERIAL

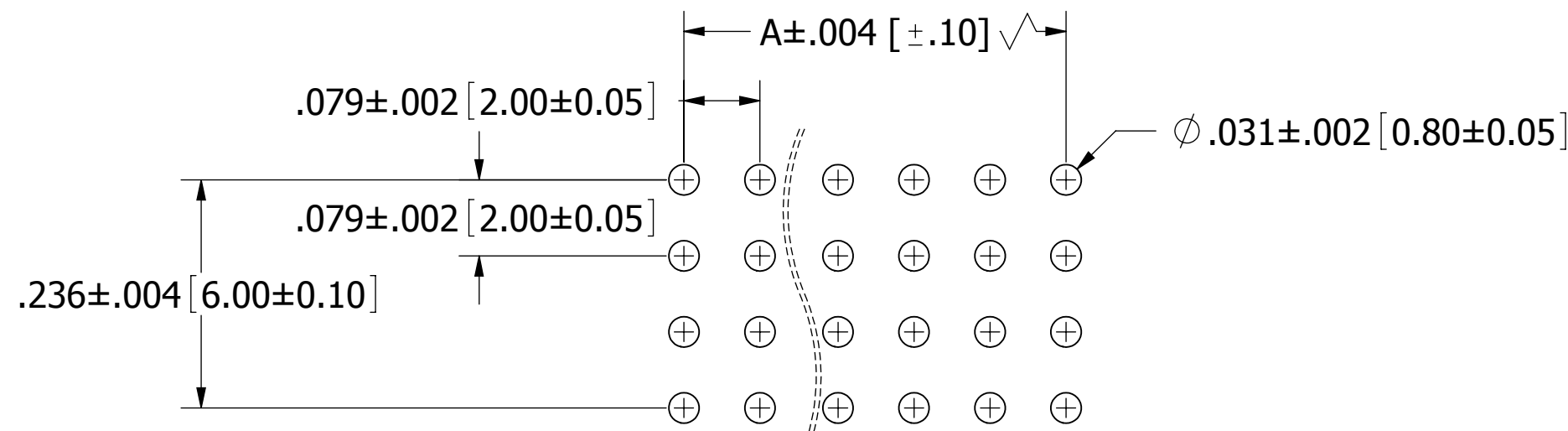
N = NYLON 6T, UL 94V-0.

P = OBSOLETE, REPLACE WITH N.

REVISIONS				
REV.	ECO. NO	DESCRIPTION	DATE	BY
B	1150	CHANGE P/N, ADD P/N CODING	09/20/2006	YCH
C	1811	UPDATE VIEWS, POST. CHART, TOLERANCE, ADD PCB LAYOUT	1/15/2009	JH



02-20, 0.20mm MAX.
21-40, 0.30mm MAX.

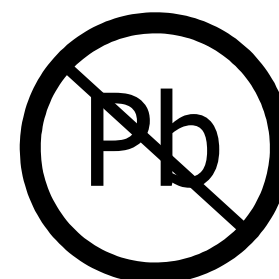


RECOMMENDED PCB LAYOUT

NOTES:

1. INSULATOR MATERIAL: SEE PART NUMBER CODING.
2. CONTACT MATERIAL: BRASS.
3. CONTACT PLATING: GOLD FLASH OVERALL.
4. CURRENT RATING: 2 AMPS.
5. INSULATOR RESISTANCE: 1000 MEGOHMS MIN.
6. CONTACT RESISTANCE: 20 MILLIOHMS MAX.
7. DIELECTRIC WITHSTANDING: AC 500V.
8. OPERATING TEMPERATURE: -40° C TO +105° C.
9. *PROCESSING TEMP.: 260° C FOR 10 SECS MAX.

*INDICATED TEMPERATURE AND TIME IS FOR COMPONENT INSULATOR. HIGHER PROCESSING TEMPERATURES MAY BE USED, PROVIDED HEAT IS APPLIED FROM BACK SIDE OF PCB, AND INSULATOR DOES NOT EXCEED INDICATED TEMPERATURE AND TIME.



RoHS COMPLIANT

UNLESS OTHERWISE SPECIFIED:
DIMENSIONS ARE IN INCHES[MM]
TOLERANCES:
ANGULAR: ± 5°
.X = ± .012 [.30]
.XX = ± .008 [.20]
.XXX = ± .006 [.15]
SURFACE FINISH: 63 R_a
REMOVE ALL BURRS AND SHARP EDGES .010 MAX

INTERPRET DIMENSIONS AND GEOMETRIC TOLERANCING PER: ANSI Y14.5M-1994

DATE	NAME	SULLINS CONNECTOR SOLUTIONS	
DRAWN 1/14/2009	JH	DESCRIPTION HEADER, MALE 2mm CC, 4 ROWS, ST	
THE INFORMATION HEREIN CONTAINS PROPRIETARY INFORMATION OF SULLINS ELECTRONICS AND IS NOT TO BE REPRODUCED, USED OR DISCLOSED TO OTHERS FOR ANY PURPOSE EXCEPT AS SPECIFICALLY AUTHORIZED IN WRITING BY AN OFFICER OF SULLINS ELECTRONICS.		PART NUMBER NRPNxx4RCCN-RC	
SIZE C	DWG. NO. 10734	REV C	SCALE: 8:1
SHEET 1 OF 1		FILE NAME: Z:\COMPONENTS\Taiwan\10734, NRPNxx4RCCN-RC PRINT: 3/4/2009	