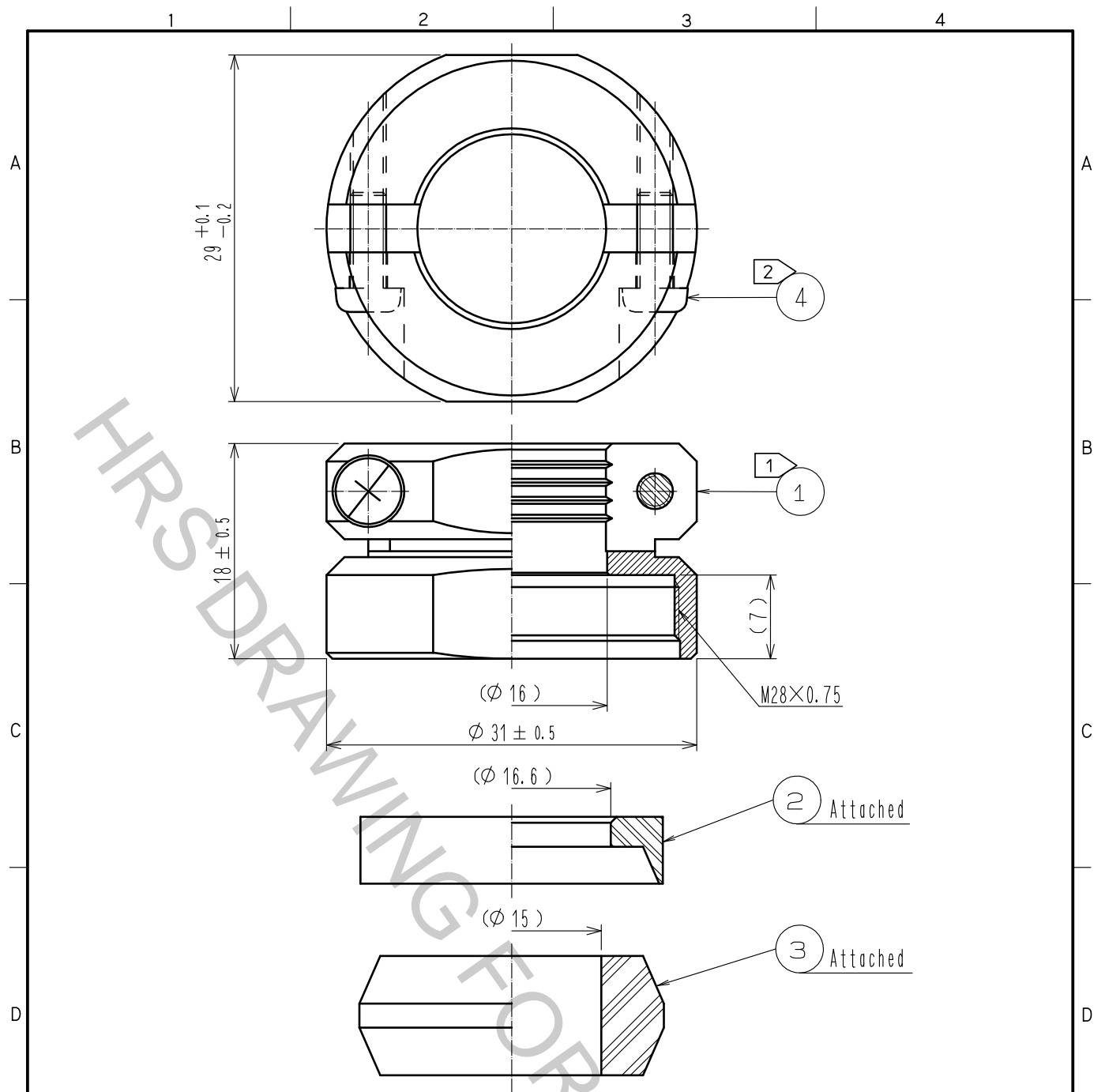


Aug.1.2018 Copyright 2018 HIROSE ELECTRIC CO., LTD. All Rights Reserved.  
 In case that the application demands a high level of reliability, such as automotive,  
 please contact a company representative for further information.



- Notes
- ① The recommended clamp torque of ref. No. ① : 5 to 5.5 N · m .  
 LOCTITE 263, HENKEL JAPAN or equevalent is recommended to prevent  
 ref. No. ① from loosening.
  - ② The recommended clamp torque of ref. No. ④ to be 0.65 to 0.7 N · m .
  - 3. The cable pull and twisting strength, waterproof tightness and other characteristics  
 may differ, depending on the cable structure. Please confirm before the use.

2	PPS	(Black) UL94V-0	4	Stainless steel	M3×0.5×8		
1	Brass	Black chrome plating	3	Chloroprene rubber	(Black)		
NO.	MATERIAL	FINISH . REMARKS	NO.	MATERIAL	FINISH . REMARKS		
UNITS mm		SCALE 2 : 1	COUNT 	DESCRIPTION OF REVISIONS	DESIGNED	CHECKED	DATE
HIROSE ELECTRIC CO., LTD.	APPROVED	·HY. KOBAYASHI	18.02.26	DRAWING NO.	EDC-112111-31-00		
	CHECKED	·HY. KOBAYASHI	18.02.26	PART NO.	JR25WCC-15(31)		
	DESIGNED	·TH. KAMEYA	18.02.24	CODE NO.	CL114-2157-4-31		
	DRAWN	·MK. INOUE	18.02.14		1/1		