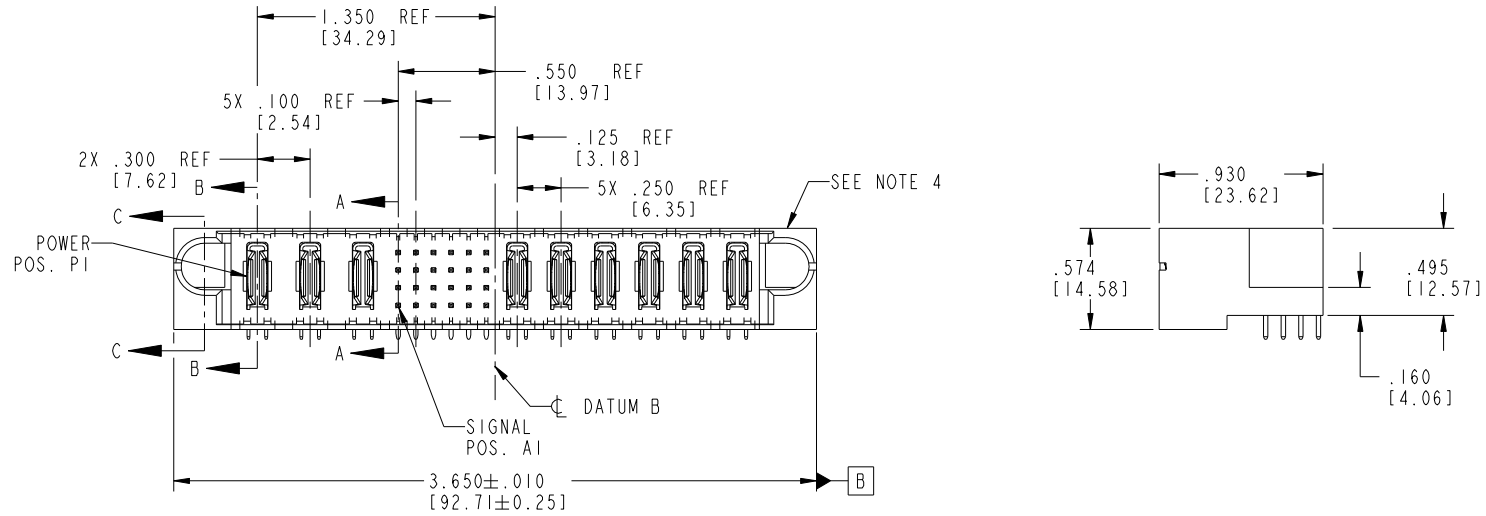


Tous droits strictement réservés. Reproduction ou communication à des tiers interdite sous quelque forme que ce soit sans autorisation écrite du propriétaire. Propriété de c.FCI. Droits de reproduction FCI.

All rights strictly reserved. Reproduction or issue to third parties in any form whatever is not permitted without written authority from the proprietor. Property of FCI. Copyright FCI.

PRODUCT NO.	ROWS	POWER			SIGNAL				POWER					E2	
		E1	P1	P2	P3	1	2	3	4	5	6	P4	P5		P6
51939-095... NOTE: 3	D C B A														



CODE	DIM "M" MATING LENGTH	CONTACT TYPE
E	.220 [5.59]	SIGNAL
F	.220 [5.59]	SIGNAL
G	.220 [5.59]	SIGNAL
H	.220 [5.59]	SIGNAL
R	.270 [6.86]	SIGNAL
PA	N/A [N/A]	POWER

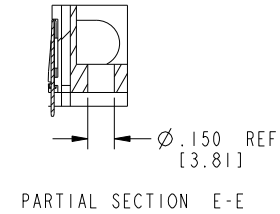
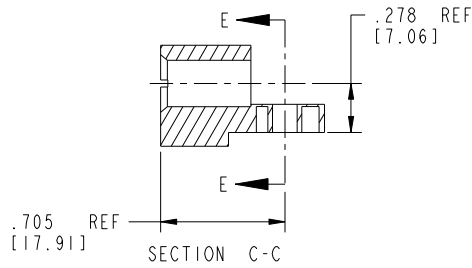
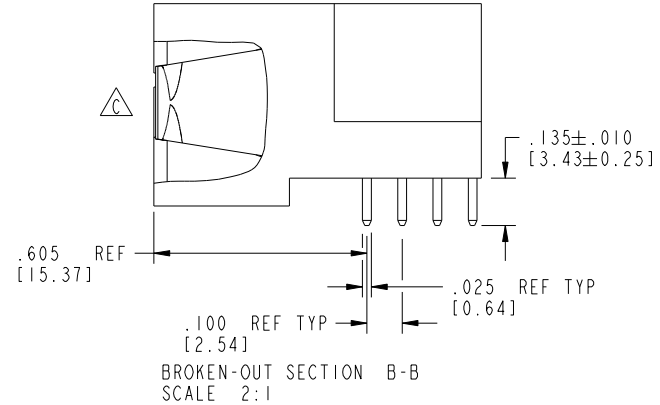
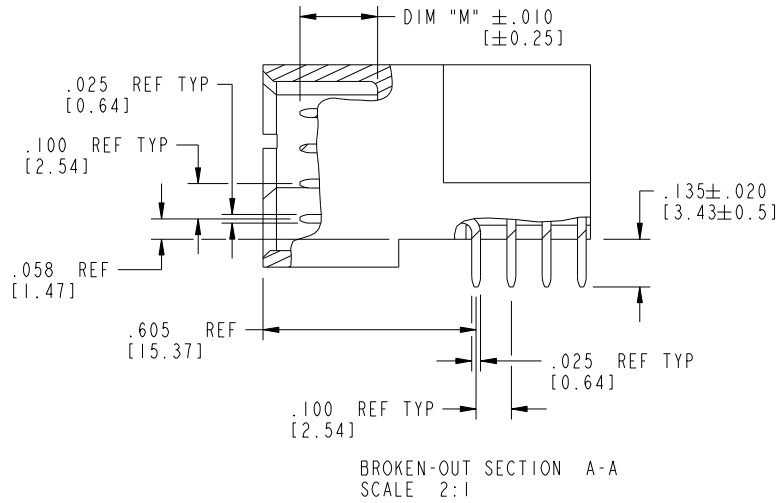
mat'l code				SEE NOTE 2		tolerances unless otherwise specified		CUSTOMER		FCI	
ltr	ecn no.	dr	date	linear	.XX±.01/0.X±0.3	projection	1	COPY		www.fciconnect.com	
A	V03-1241	TAB	11/21/03		.XXX±.005/0.XX±0.13	1	1	title		3ACP + 24S + 6P	
B	DG06-0014	JMG	01/16/06		.XXX±.002/0.XXX±0.051	1	1	RIGHT ANGLE SOLDER HEADER		product family PwrBlade code 213	
C	DG09-0003	WD	01/17/09	angles	0°±2°	1	1	scale		size dwg no 51939-095 sheet 1 of 4	
				dr	T. BRUNGARD 11/21/03	INCH/MM		product family		PwrBlade code 213	
				enr	M. GRAY 11/21/03	1:1		size		dwg no 51939-095 sheet 1 of 4	
				chr	M. GRAY 11/21/03			scale		A 51939-095 sheet 1 of 4	
				appd	M. GRAY 11/21/03						
sheet index	revision sheet	C	C	C	C						
		1	2	3	4						

cage code 22526

Tous droits strictement reserves. Reproduction ou communication a des tiers interdicte sous quelque forme que ce soit sans autorisation ecrite du proprietaire. Propriete de c FCI. Droits de reproduction FCI.

All rights strictly reserved. Reproduction or issue to third parties in any form whatever is not permitted without written authority from the proprietor. Property of FCI. Copyright FCI.

PRODUCT NUMBER  
51939-095\_\_  
NOTE: 3



mat'l code		SEE NOTE 2		tolerances unless otherwise specified		CUSTOMER		FCI	
ltr	ecn no.	dr	date	linear	.XX±.01/0.X±0.3	COPY		www.fciconnect.com	
C					.XXX±.005/0.XX±0.13	projection		title 3ACP + 24S + 6P	
				angles	.XXX±.0020/0.XXX±0.051	INCH/MM		RIGHT ANGLE SOLDER HEADER	
				dr	0°±2°	scale		product family PwrBlade code 213	
				enr	T. BRUNGARD 11/21/03	1:1		size dwg no 213	
				chr	M. GRAY 11/21/03			sheet 2 of 4	
				appd	M. GRAY 11/21/03			A 51939-095	
sheet index	revision sheet								

Pro/E

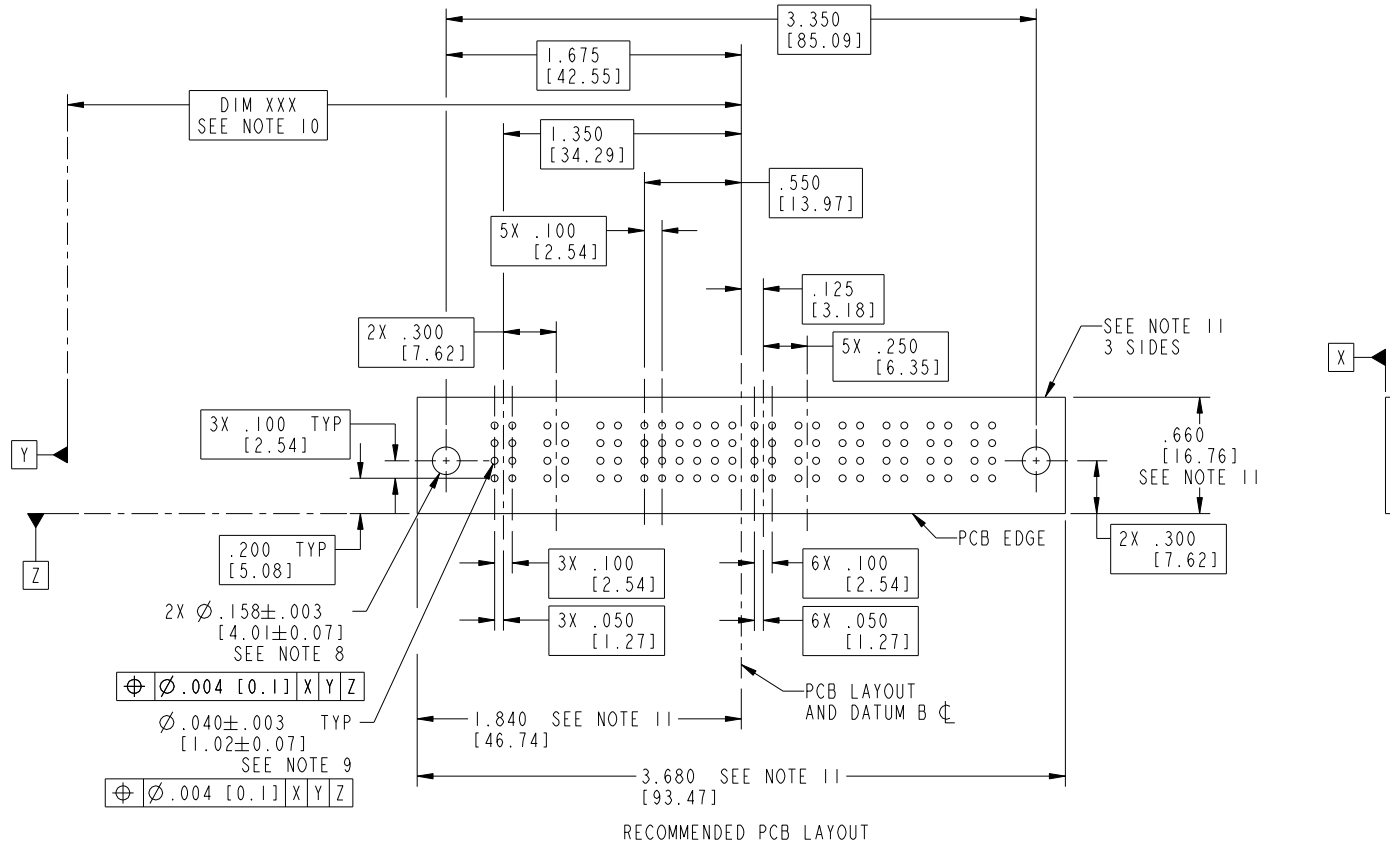
cage code 22526

Tous droits strictement reserves. Reproduction ou communication a des tiers interdite sous quelque forme que ce soit sans autorisation écrite du propriétaire. Propriete de c FCI. Droits de reproduction FCI.



All rights strictly reserved. Reproduction or issue to third parties in any form whatever is not permitted without written authority from the proprietor. Property of FCI. Copyright FCI.

PRODUCT NUMBER  
51939-095\_\_  
NOTE: 3



mat'l code		SEE NOTE 2		tolerances unless otherwise specified		CUSTOMER		 www.fciconnect.com	
lfr	ecn no.	dr	date	linear	.XX±.01/0.X±0.3	COPY		title	
C					.XXX±.005/0.XX±0.13	projection		3ACP + 24S + 6P	
				angles	.XXX±.0020/0.XXX±0.051			RIGHT ANGLE SOLDER HEADER	
				dr	0°±2°	INCH/MM		product family	
				enr	T. BRUNGARD 11/21/03	scale		PwrBlade	
				chr	M. GRAY 11/21/03	1:1		code	
				appd	M. GRAY 11/21/03			213	
sheet index	revision sheet							size	
								dwg no	
								A 51939-095	
								sheet	
								3 of 4	

cage code 22526

Pro/E

Tous droits strictement reserves. Reproduction ou communication a des tiers interdite sous quelque forme que ce soit sans autorisation écrite du propriétaire. Propriete de c FCI. Droits de reproduction FCI.



All rights strictly reserved. Reproduction or issue to third parties in any form whatever is not permitted without written authority from the proprietor. Property of FCI. Copyright FCI.

PRODUCT NUMBER
51939-095__
NOTE: 3

NOTES:

1. DIMENSIONS AND TOLERANCES ARE IN ACCORDANCE WITH ASME Y14.5M, 1994 UNLESS OTHERWISE SPECIFIED.

CONNECTOR NOTES:

- 2. HOUSING MATERIAL: UL 94 V-0 GLASS FILLED HIGH-TEMP THERMOPLASTIC  
POWER CONTACT MATERIAL: COPPER ALLOY  
SIGNAL PIN MATERIAL: COPPER ALLOY

3. SEE ITEM 1 & 2 IN PRINT 10064183 FOR PLATING SPEC OF 51939-095 AND 51939-095LF RESPECTIVELY.

- 4. MANUFACTURER'S NAME, P/N, AND DATE CODE TO APPEAR ON THIS SURFACE.

5. PRODUCT SPECIFICATION GS-12-149.  
APPLICATION SPECIFICATION BUS-20-067.

6. PACKAGED IN TRAYS.

PCB NOTES:

7. ALL HOLE DIAMETERS ARE FINISHED HOLE SIZE.

- 8. MOUNTING HOLES, WHERE APPLICABLE, ARE UNPLATED.

- 9.  $\varnothing .0453 \pm .0010$  [1.151  $\pm$  0.025] DRILLED HOLES PLATED WITH  
.0003 [0.008] MIN SnPb OVER .001 [0.03]  
TO .003 [0.08] Cu PLATING TO ACHIEVE  
 $\varnothing .040 \pm .003$  [1.02  $\pm$  .07] HOLE.

- 10. "DIM XXX" TO BE DETERMINED BY THE CUSTOMER.

- 11. CONNECTOR KEEP-OUT ZONE.

12. A  $\triangle$ SYMBOL WILL BE NEXT TO ANY DIMENSION, VIEW, OR NOTE WHICH HAS BEEN MODIFIED WITH THE CURRENT DRAWING REVISION.

mat'l code		SEE NOTE 2		tolerances unless otherwise specified		CUSTOMER		FCI		www.fciconnect.com	
ltr	ecn no.	dr	date	linear	.XX±.01/0.X±0.3	COPY		projection		title	
C					.XXX±.005/0.XX±0.13					3ACP + 24S + 6P	
				angles	.XXX±.002/0.XXX±0.051					RIGHT ANGLE SOLDER HEADER	
				dr	0°±2°			INCH/MM		product family	
				enr	T. BRUNGARD 11/21/03			scale		PwrBlade code	
				chr	M. GRAY 11/21/03			1:1		213	
				appd	M. GRAY 11/21/03			A		sheet	
sheet index		revision sheet						51939-095		4 of 4	

cage code 22526