

DETAILS

Product Number	CA15150_STRADA-ME
Family	Strada
Type	Assembly
Color	clear
Diameter	15,52 + 19,60 mm
Height	5,04 mm
Style	rectang
Optic Material	PMMA
Holder Material	
Fastening	tape
Status	production ready
ROHS Compliant	Yes
Date Updated	27/04/2017



OPTICAL PROPERTIES

LED	Viewing Angle	Light Beam	Efficiency	cd/lm	Connector
XT-E	Asymmetric deg	Streetligh...	94 %	0.710	-

H G F E D C B A

4

3

2

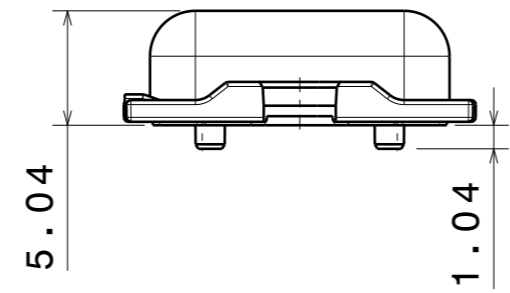
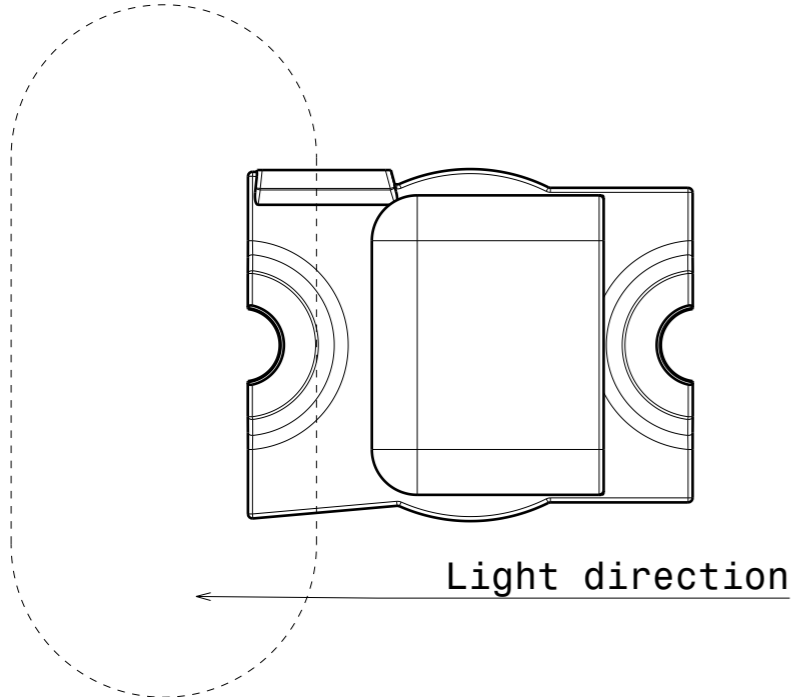
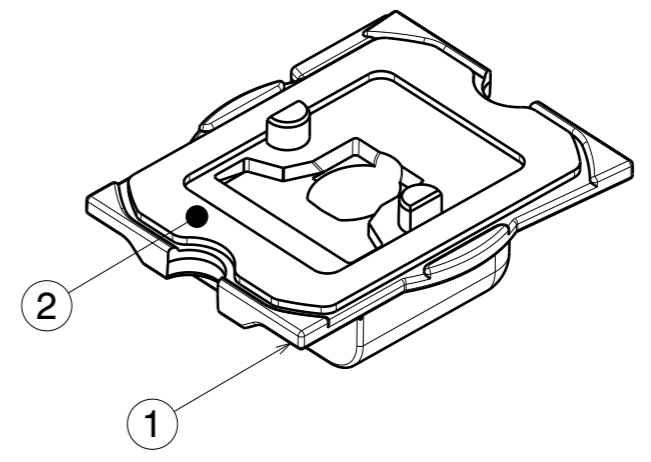
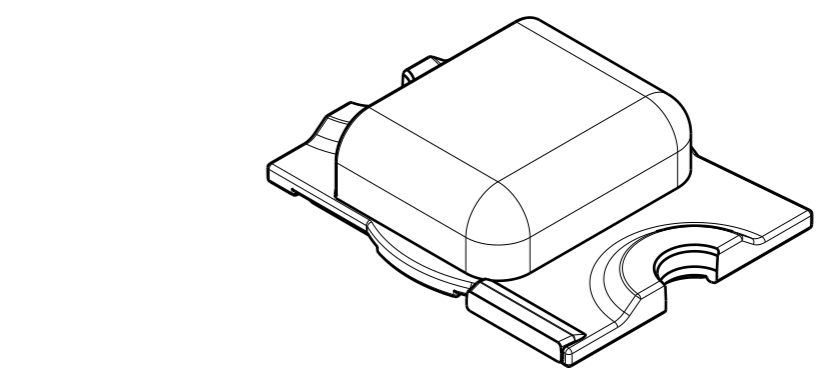
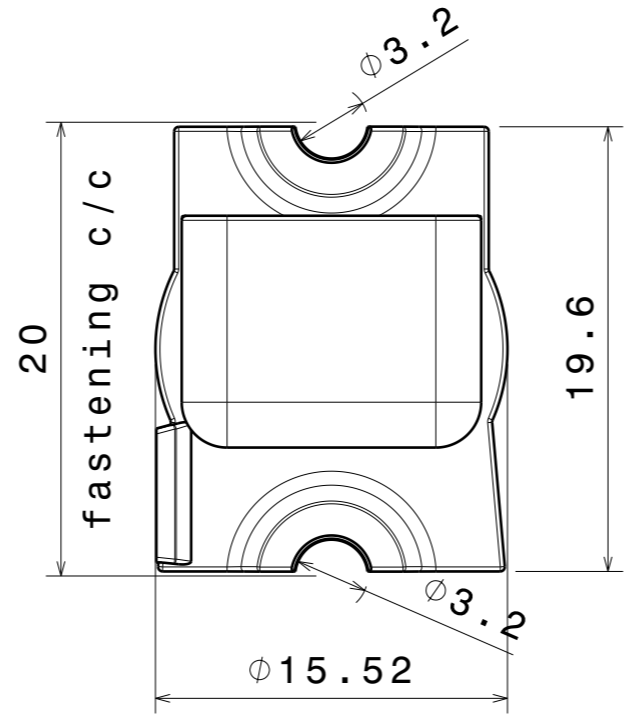
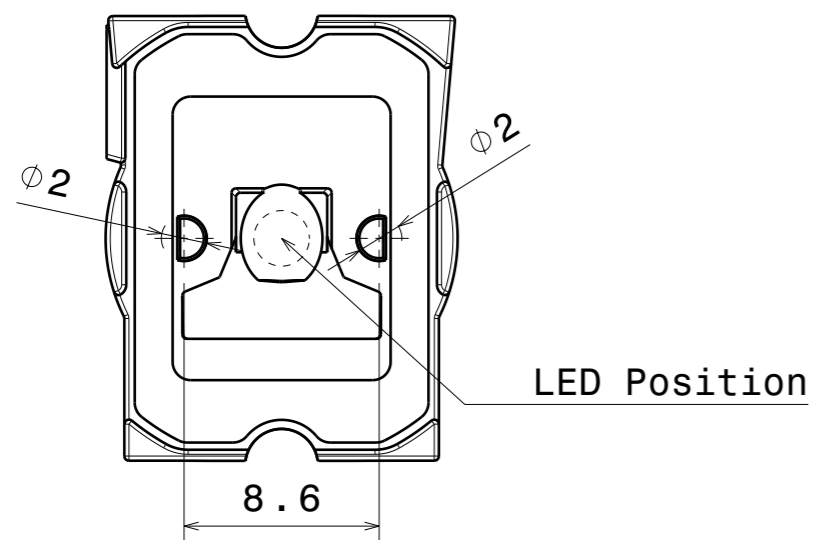
1

4

3

2

1



INDEX	PART NO	DESCRIPTION	MATERIAL	COLOUR
1	C15148	STRADA-ME	PMMA	
2	C10775	VOSU-WU-M-365-TAPE	adhesive foam tape	

Tolerances if not otherwise shown
 According to DIN ISO 2768-1
 Linear measures:
 Up to 30mm class M, otherwise class C.
 According to DIN ISO 2768-2
 Form and position: class L

LEDiL Ledil Oy
 Salorankatu 10
 FIN 24240 SALO
 Finland

THIRD ANGLE PROJECTION:

DRAWING TITLE
CA15150_STRADA-ME_MechanicalDrawing

This drawing is the property of LEDiL Oy. It may not be reproduced, copied or communicated without a written agreement with LEDiL Oy.

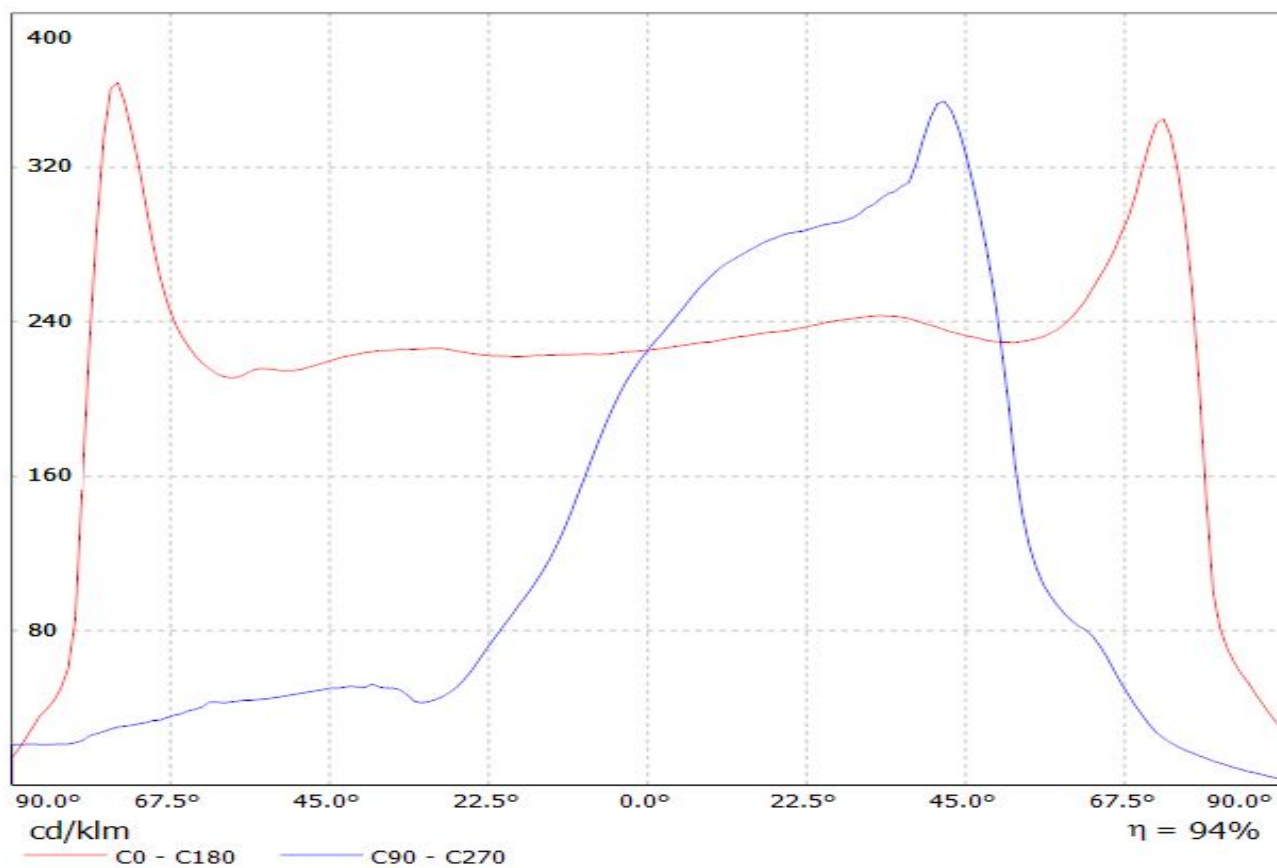
SIZE	PART NUMBER
A3	CA15150

SCALE	3:1	WEIGHT	0,720 g	SHEET	1/1
-------	-----	--------	---------	-------	-----

H G B A

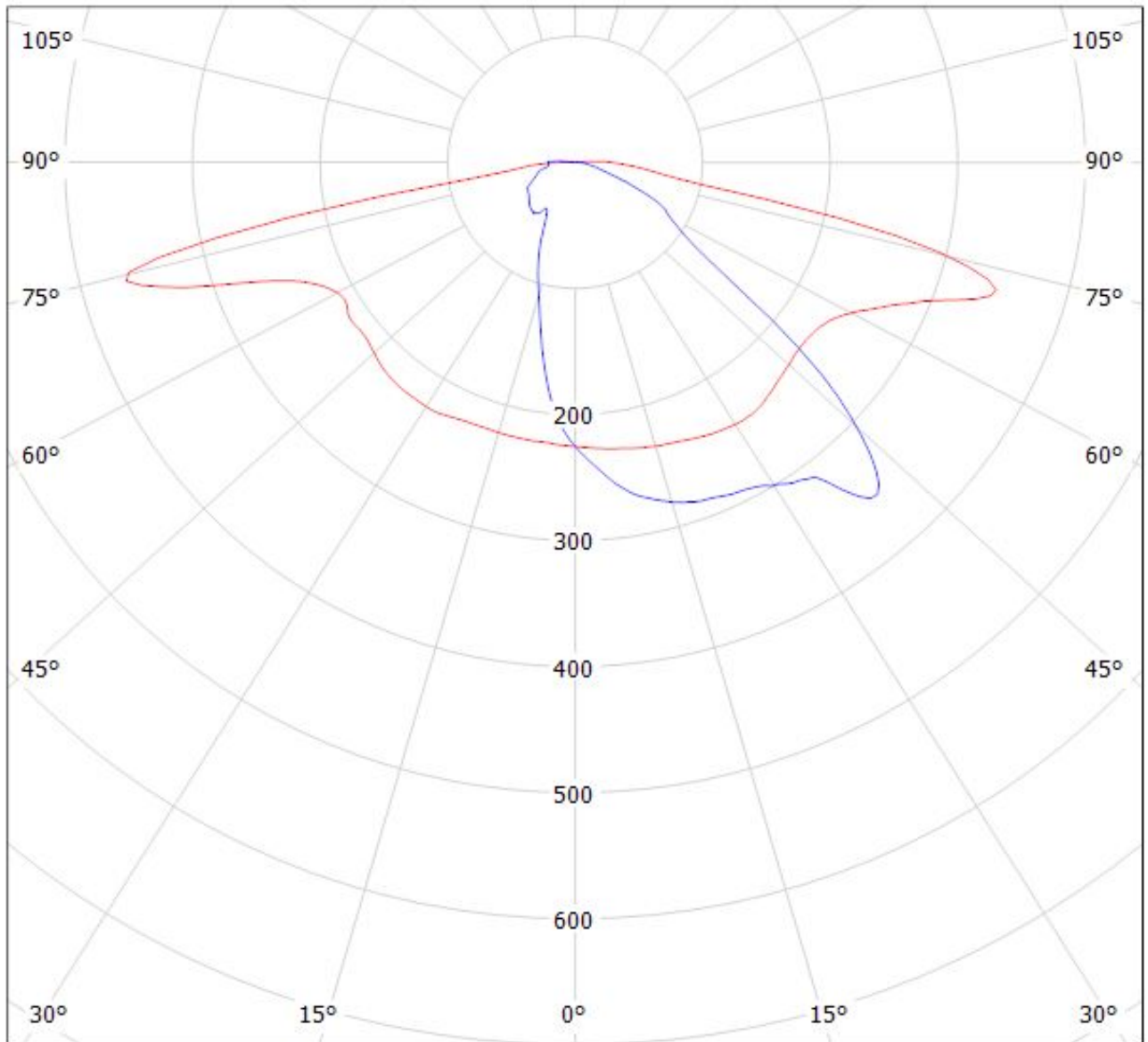
Luminaire: LEDiL Oy CA15150_STRADA-ME_(XT-E)

Lamps: 1 x Cree_XT-E_(XTEAWT-00-0000-00000HBE8)_74.8096lm@250mA_P=0.772791W_I=0.25A



Luminaire: LEDiL Oy CA15150_STRADA-ME_(XT-E)

Lamps: 1 x Cree_XT-E_(XTEAWT-00-0000-00000HBE8)_74.8096lm@250mA_P=0.772791W_I=0.25A



cd/klm

— C0 - C180 — C90 - C270

$\eta = 94\%$

NOTE: The typical divergence will be changed by different color, chip size and chip position tolerance. The typical total divergence is the full angle measured where the luminous intensity is half of the peak value.