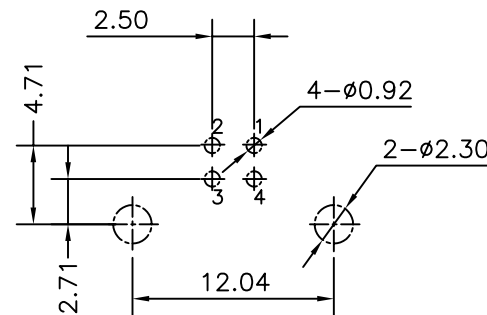
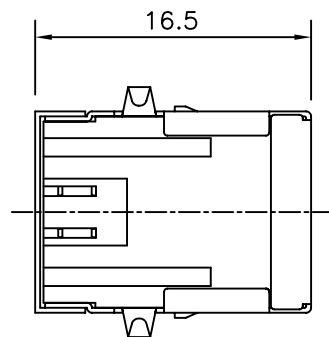
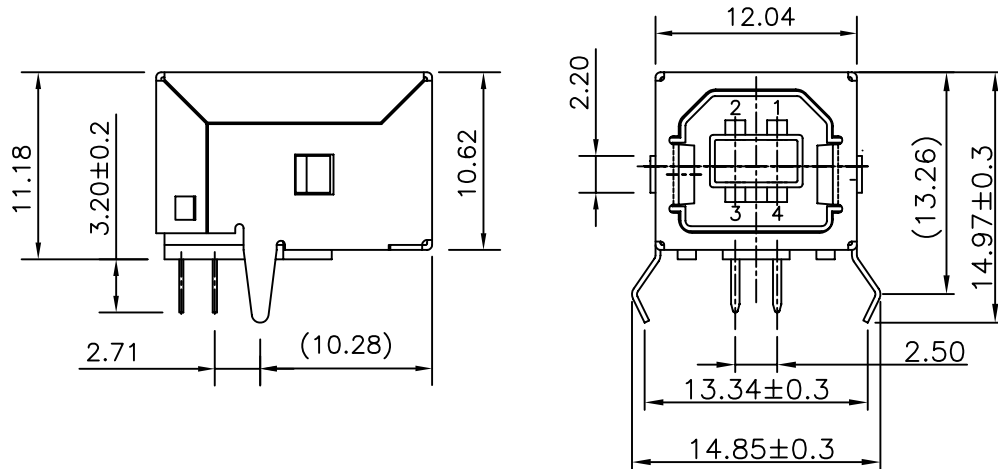


REVISION RECORD		
REV	DESCRIPTION	DRFT



PC BOARD LAYOUT  
COMPONENT SIDE SHOWN  
TOLERANCES ± 0.05mm

**NOTES:**

- MATERIAL:**  
 TERMINAL: PHOSPHOR BRONZE, T=0.25mm.  
 SHIELD : COPPER ALLOY, T=0.3mm.  
 HOUSING : GLASS FIBER FILLED PBT, UL94V-0\BLACK.
- PLATING:**  
 CONTACT: GOLD PLATING OVER NICKEL  
 TAILS: TIN PLATING OVER NICKEL.  
 SHIELD: TIN PLATING OVER NICKEL.
- ELECTRICAL:**  
 VOLTAGE RATING: 30 VAC RMS.  
 CURRENT RATING: 1.0 AMP.  
 CONTACT RESISTANCE: 40 MILLIOHMS MAX.  
 INSULATION RESISTANCE: 1000 MEGOHMS MIN @500 VDC.  
 DIELECTRIC STRENGTH: 500 VDC, 1 MIN.  
 OPERATING LIFE : 1500 CYCLES MIN.  
 MATING FORCE : 3.5 KGF MAX.  
 UNMATING FORCE: 1 KGF MIN.
- ENVIRONMENTAL:**  
 STORAGE: -40°C TO +85°C.  
 OPERATION: -40°C TO +85°C.  
 CAPACITANCE: 2 PF MAX 1 KHz.  
 WAVE SOLDER TEMPERATURE: 235°C~245°C(3~5 SECONDS).  
 RoHS COMPLIANT.
- UL & CUL FILE NO. E163191.

E8144-B02022-L	6u"
PART NO.	Au PLATING

DETACHED LISTS			<b>RoHS Compliant</b>			
	TOLERANCES EXCEPT AS NOTED		USB Series B			
	MM	±	TITLE			
	.0 ± 0.25	±	4-Position Dip Type			
.00 ± 0.20	±	DFTO : ELLA		DRAWING NO. CE8144-B0202X-L		SIZE A3
.000 ± 0.10	±	DATE : 01/13/2014		/PART NO. E8144-B02022-L		REV 0
ANGLES ± 1°		SCALE : 3:1		DO NOT SCALE DRAWING		SHEET 1 OF 1