



PRODUCT DATASHEET

Lisa series

last update 18/8/2014

DETAILS

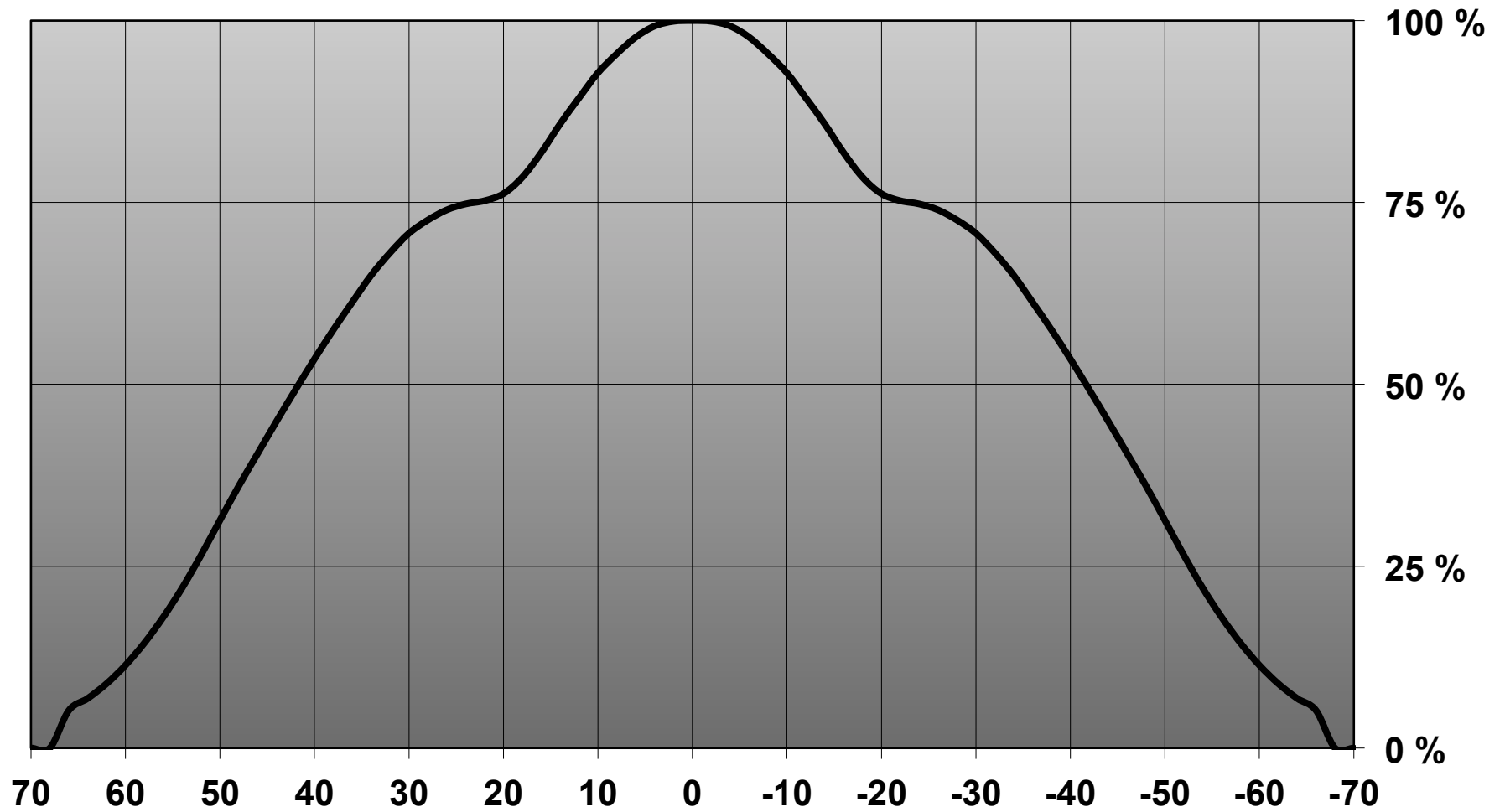
Product Number	FP11431_LISA2-WWW-CLIP
Family	Lisa
Type	Assembly
Color	black
Diameter	9,9 mm
Height	7 mm
Style	round
Optic Material	PMMA
Holder Material	
Fastening	clips, glue
Status	production ready
ROHS Compliant	Yes
Date Updated	18/08/2014



OPTICAL PROPERTIES

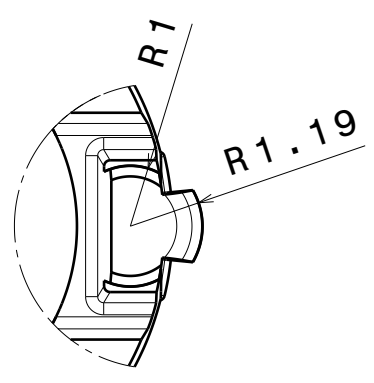
LED	Viewing	Light	Effi-	cd/lm	Connector
	Angle	Beam	ciency		
XP-E	84 deg	WWW-class	77 %	0.500	-
XP-G	86 deg	WWW-class	72 %	-	-
XQ-E	sim: 70	WWW-class	sim: 81 %	sim: 0.600	-
LUXEON Rebel ES	74 deg	WWW-class	73 %	0.500	-
Synios P2720 1 mm	sim: 74	WWW-class	sim: 87 %	sim: 0.660	-
Z5	sim: 70	WWW-class	-	-	-
Double Dome (GM2BB)	sim: 70	WWW-class	-	-	-

**Relative intensity of FP11431_LISA2-WWW-CLIP &
FP11429_LISA2-WWW-PIN**

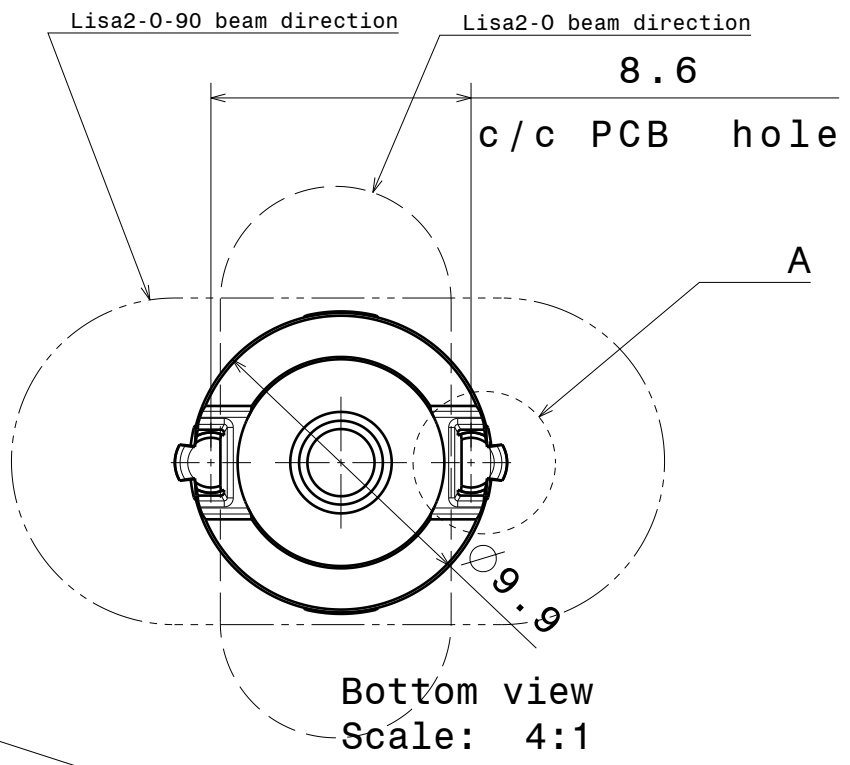


D C B A

4



Detail A
Scale: 8:1



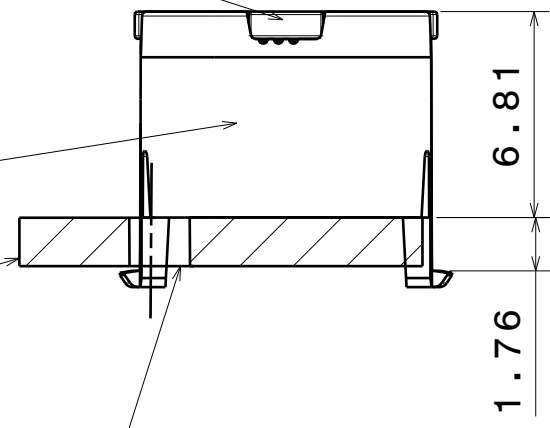
Bottom view
Scale: 4:1

Lens

3

Holder

Reference PCB



Front view
Scale: 4:1

2

Materials:
Lens PMMA
Holder PC

Note:
Take tolerances
into account
when specifying
positioning
holes for PCB

4

3

2

This drawing is our property.
It can't be reproduced
or communicated without
our written agreement.



Ledil Oy
Tehdaskatu 13
FIN-24100 SALO
Finland

DRAWING TITLE
Datasheet Lisa2-clip16-XP series Assy

DRAWN BY ch	DATE 20.7.2011
CHECKED BY sn	DATE 20.7.2011
DESIGNED BY hh	DATE 19.10.2009

SIZE A4	DRAWING NUMBER	REV 2
SCALE 4:1	WEIGHT (g)	SHEET 1/1

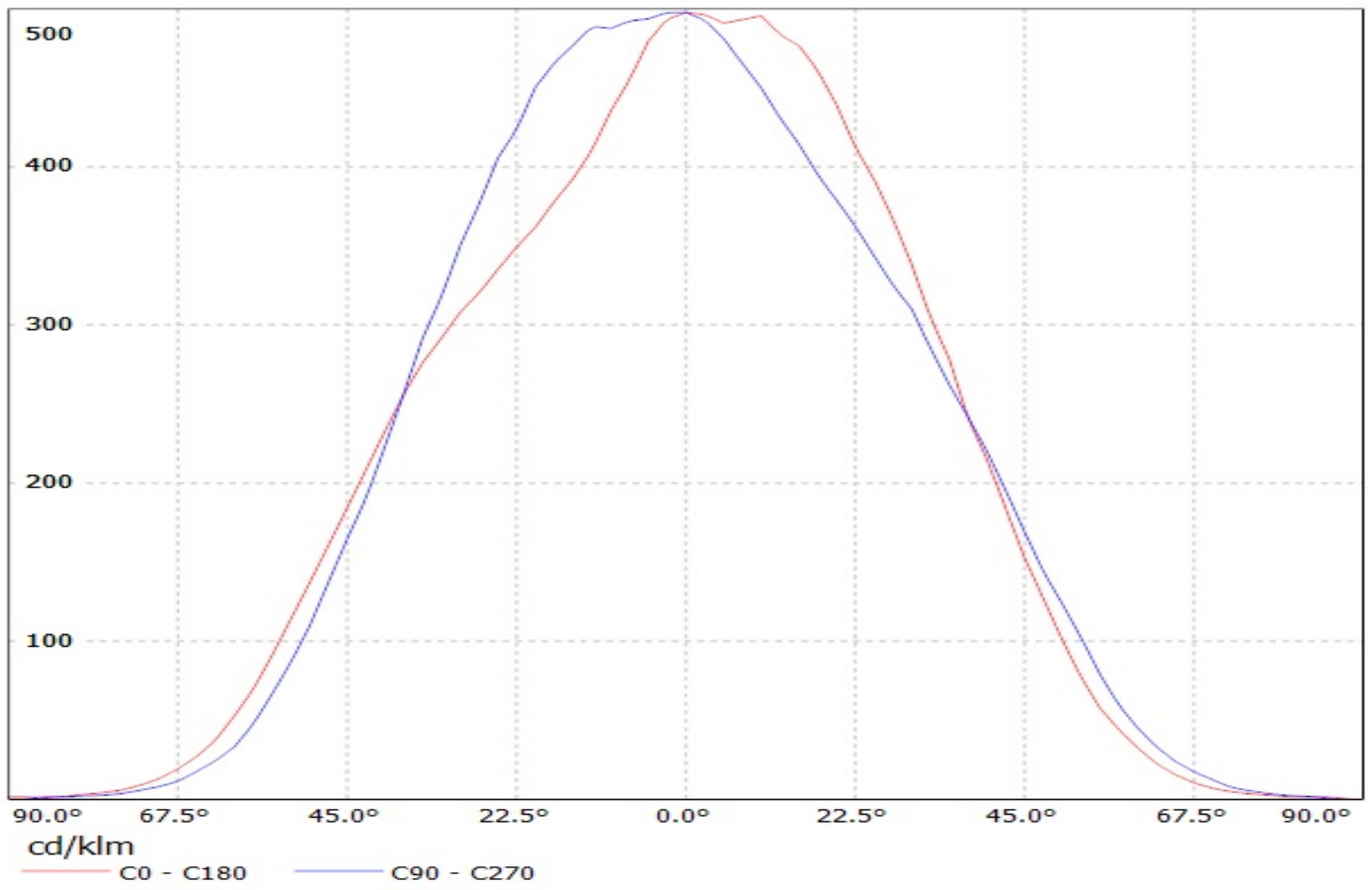
1

1

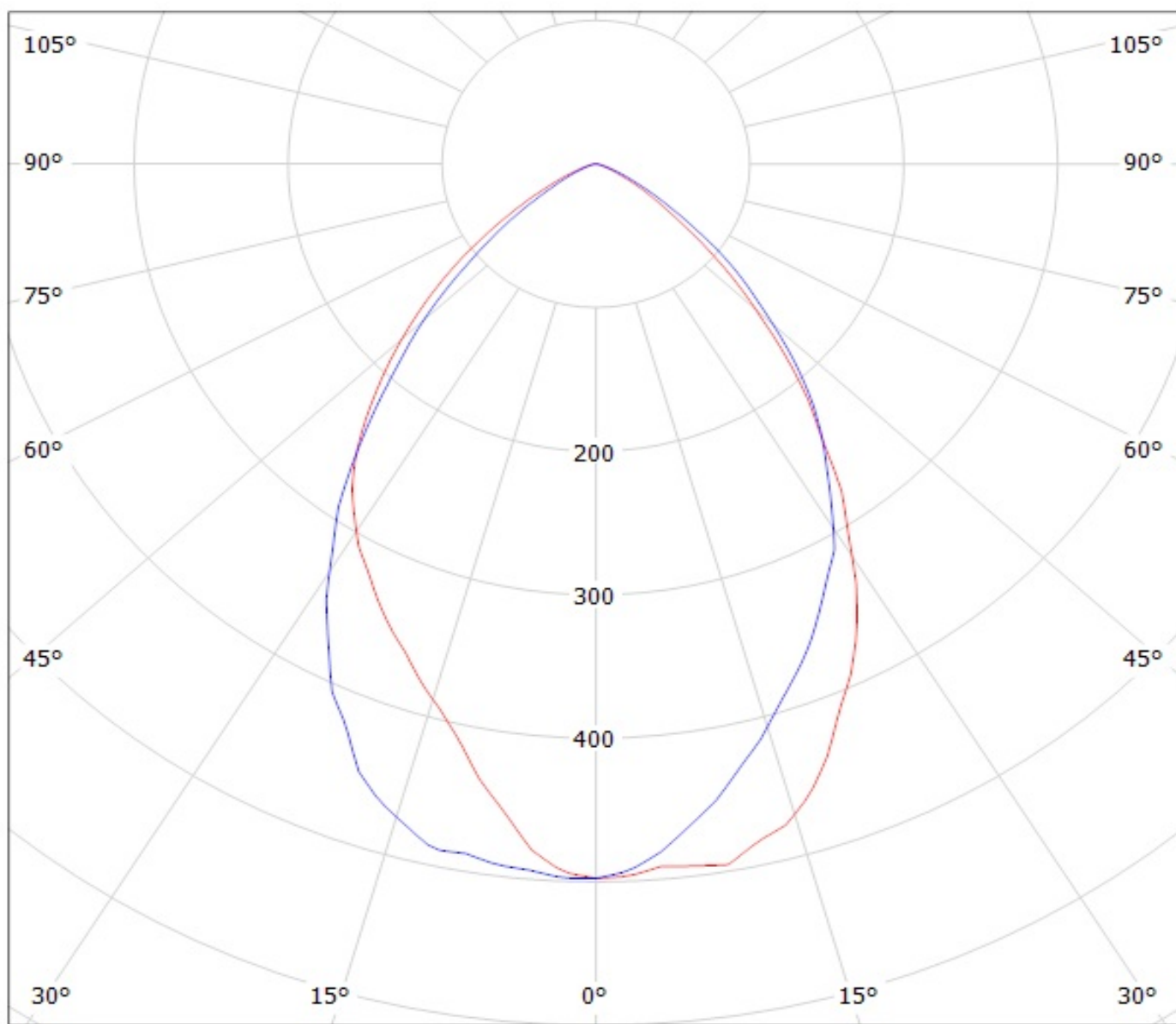
D

A

Luminaire: Ledil Oy FP11431_LISA2-WWW-CLIP (Luxeon Rebel-ES 90lm @ 250mA) Efficiency=73%
Lamps: 1 x Luxeon Rebel-ES 90lm @ 250mA



Luminaire: Ledil Oy FP11431_LISA2-WWW-CLIP (Luxeon Rebel-ES 90lm @ 250mA) Efficiency=73%
Lamps: 1 x Luxeon Rebel-ES 90lm @ 250mA



cd/klm

— C0 - C180

— C90 - C270

NOTE: The typical divergence will be changed by different color, chip size and chip position tolerance. The typical total divergence is the full angle measured where the luminous intensity is half of the peak value.