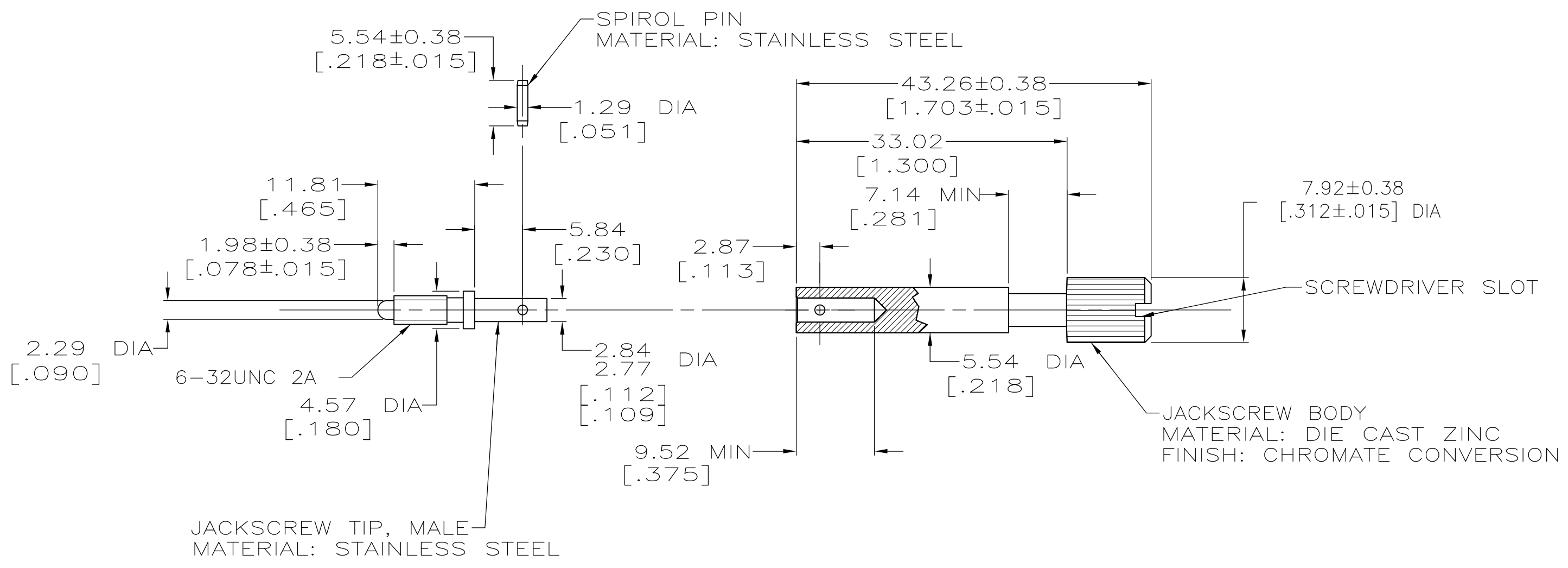


THIS DRAWING IS UNPUBLISHED. RELEASED FOR PUBLICATION  
 © COPYRIGHT - By - ALL RIGHTS RESERVED.

LOC	DIST	REVISIONS					
BD	0	P	LTR	DESCRIPTION	DATE	DWN	APVD
			M1	REVISED PER ECO-11-005027	11MAR11	RK	HMR



- △2 NON-HEXAVALENT CHROMATE COATING ON JACKSCREW BODY.
- △3 SPECIAL PACKAGING - ONE UNASSEMBLED UNIT PER BAG.

△2	△3	201413-5
△2		201413-4
△2		201413-1
NOTES		PART NUMBER

THIS DRAWING IS A CONTROLLED DOCUMENT.		DWN	M.BINNER	09/27/94	<b>STE</b> TE Connectivity			
DIMENSIONS: mm[INCHES]		CHK	R.STONE	1-20-95				
TOLERANCES UNLESS OTHERWISE SPECIFIED:		APVD	-	-	NAME			
0 PLC ± -		PRODUCT SPEC		-	JACKSCREW KIT, UNASSEMBLED, MALE, M SERIES			
1 PLC ± -		APPLICATION SPEC		-	SIZE	CAGE CODE	DRAWING NO	RESTRICTED TO
2 PLC ± 0.13 [.005]		WEIGHT		-	A3	00779	C-201413	-
3 PLC ± -		MATERIAL		SEE CALLOUT	CUSTOMER DRAWING			SCALE
4 PLC ± -		FINISH		SEE CALLOUT	2:1			SHEET
ANGLES ± -					1 OF 1			REV
					M1			