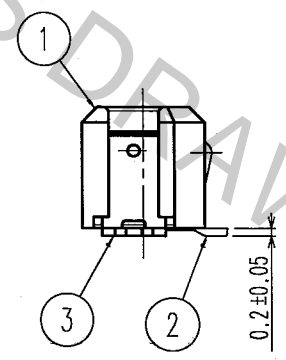
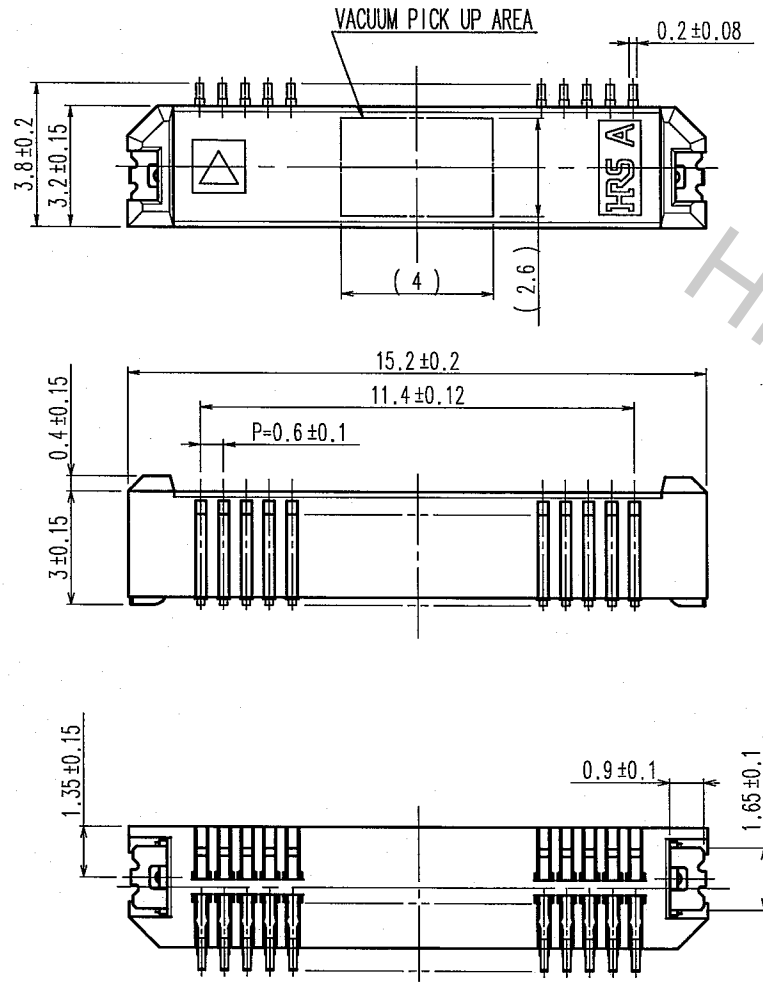
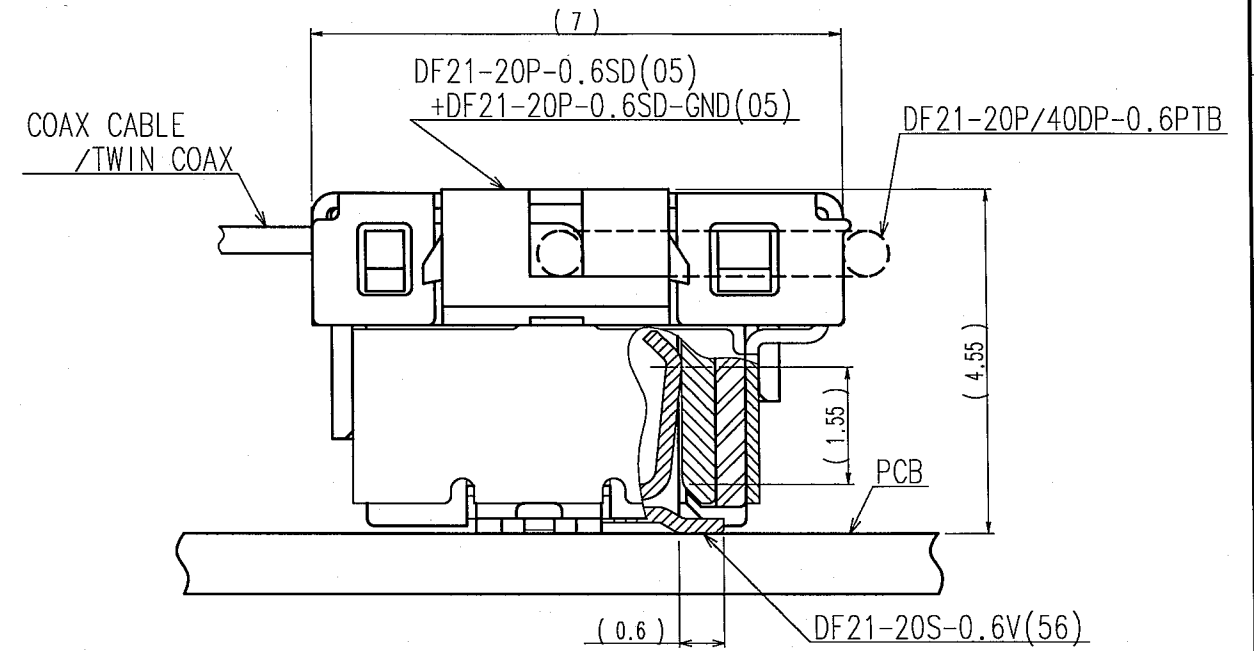


Apr.1.2017 Copyright 2017 HIROSE ELECTRIC CO., LTD. All Rights Reserved.

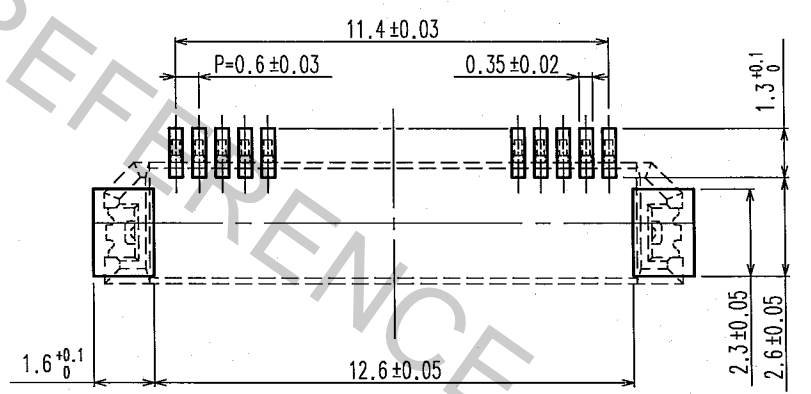
COUNT	DESCRIPTION OF REVISIONS	BY	CHKD	DATE	COUNT	DESCRIPTION OF REVISIONS	BY	CHKD	DATE
△					△				
△					△				
△					△				



APPLICATION DIAGRAM(10:1)



RECOMENNDENED PATTERN



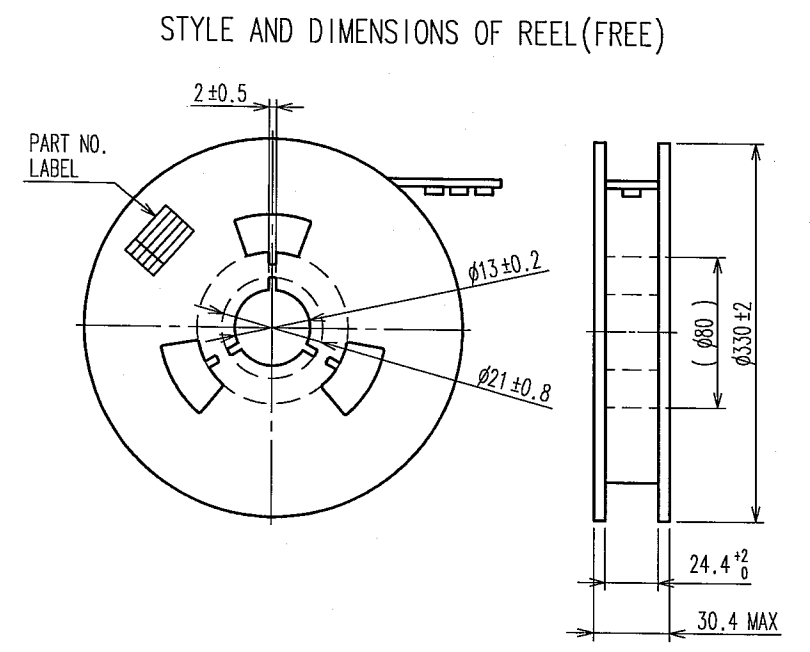
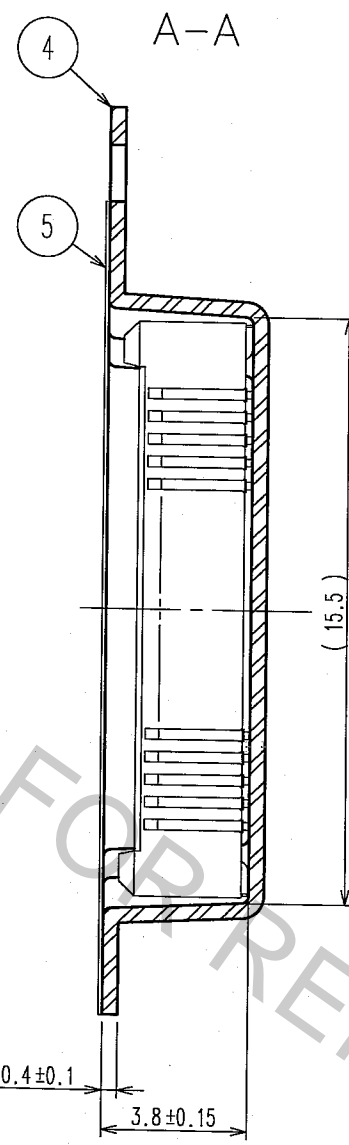
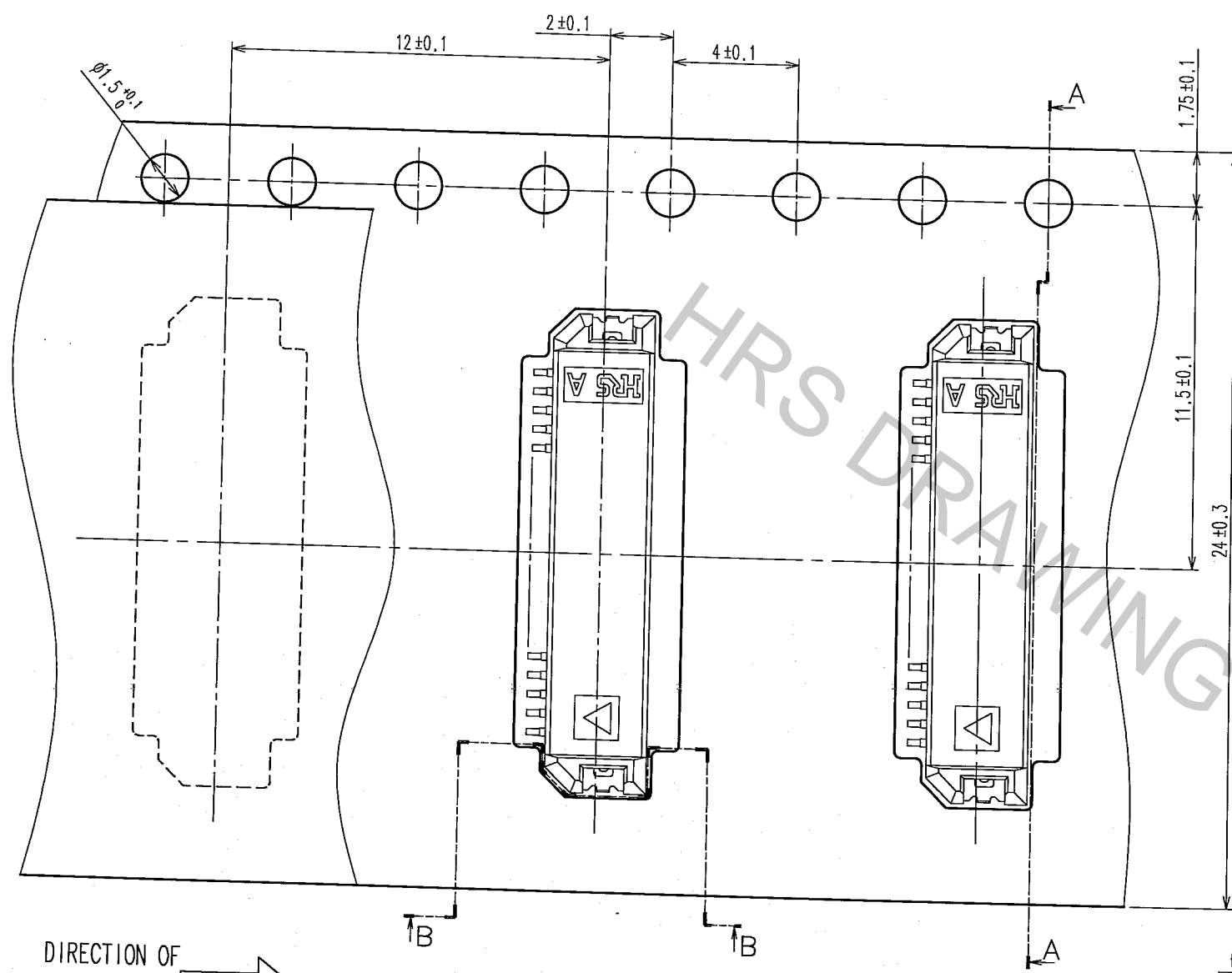
NOTES1 :LEAD CO-PLANARITY INCLUDING REINFORCED METAL FITTINGS SHALL BE 0.1mm MAX.  
 2 :A TAPING PACKING DETAIL VIEW IS SHOWN IN 2 PAGES.

2	PHOSPHOR BRONZE	SOLDERING AREA:GOLD PLATED 0.1μ m min LEAD-AREA:GOLD PLATED 0.02μ m min UNDER PLATING:NICKEL PLATED 0.5μ m min	5	POLYESTER	COVER TAPE, CLEAR
1	LCP-M	UL94V-0, BLACK	4	PS	EMBOSSD CARRIER TAPE, CLEAR
			3	PHOSPHOR BRONZE	SURFACE:TIN-COPPER PLATED 1μ m min UNDER PLATING:NICKEL PLATED 1μ m min
NO.	MATERIAL	FINISH, REMARKS	NO.	MATERIAL	FINISH, REMARKS
CODE NO. (OLD) CL			DRAWN	DESIGNED	CHECKED
			S. ONO	S. Ono	H. Umehara
			06.02.03	06.02.03	06.02.04
					J. Qua
					06.02.06
DRAWING NO. EDC3-163485-02			PART NO. DF21-20S-0.6V(56)		
SCALE 5 : 1			CODE NO. CL687-0001-5-56		
UNITS mm			1/2		

TO

Apr.1.2017 Copyright 2017 HIROSE ELECTRIC CO., LTD. All Rights Reserved.

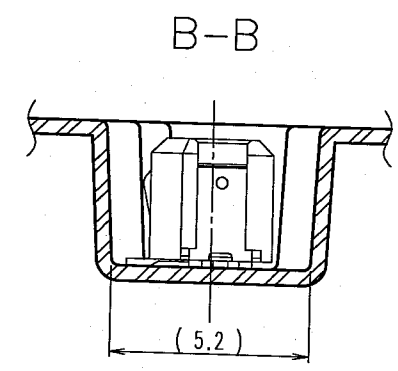
5					6					7					8				
COUNT	DESCRIPTION OF REVISIONS				BY	CHKD	DATE	COUNT	DESCRIPTION OF REVISIONS				BY	CHKD	DATE				
△								△											
△								△											
△								△											



5 DETAIL OF PART NO. LABEL

DATE OF MANUFACTURED	** ** *
CODE NO.	CL687-0001-5-56
PART NO.	DF21-20S-0.6V(56)
QUANTITY	1000
SUPPLIER	HIROSE ELECTRIC CO.,LTD.

DIRECTION OF UNREELING →



NOTE 3: 1 REEL: 1000 CONNECTORS.  
 4: AT THE BEGINNING OF REEL, 20 COMPONENTS ARE EMPTY.  
 AT THE END OF REEL, 30 COMPONENTS ARE EMPTY.  
 5: DETAIL OF PART NO. LABEL IS WRITTEN IN JAPANESE.

NO.	MATERIAL	FINISH, REMARKS	NO.	MATERIAL	FINISH, REMARKS
CODE NO. (OLD)	CL		DRAWN	DESIGNED	CHECKED
			S.ONO	S. Ono	H. Umehara
			06.02.03	06.02.03	06.02.04
					T. Ono
					06.02.06
DRAWING NO.			PART NO.		
EDC3-163485-02			DF21-20S-0.6V(56)		
SCALE			CODE NO.		
5 : 1			CL687-0001-5-56		
UNITS			2		
mm			HRS HIROSE ELECTRIC CO., LTD		

TO

