



USER MANUAL

Maxwell Technologies[®] BOOSTCAP[®] Ultracapacitor Energy Storage Modules for Low Duty Cycle Applications

Models:

- BMOD0125 P064 B02
- BMOD0094 P075 B02

Document #1014204

Notice: The products described herein are covered by one or more of the following patents: 7307830, 7203056, 7027290, 7352558, 7295423, 7090946, 7508651, 7492571, 7342770, 6643119, 7384433, 7147674, 7317609, 7495349, 7102877

Notice: The products described herein are covered by one or more of the following patents:
7307830, 7203056, 7027290, 7352558, 7295423, 7090946, 7508651, 7492571, 7342770,
6643119, 7384433, 7147674, 7317609, 7495349, 7102877

WARNING



DANGER – HIGH VOLTAGE HAZARD!

Never touch the power terminals as the module can be charged and cause fatal electrical shocks.

Always check that the module is fully discharged before manipulating the module. For more information about the discharge procedure, please refer to [Paragraph 7](#).

1 Introduction

Low duty cycle energy storage module is a self-contained energy storage device with multiple cells electrically connected and contained in a plastic housing. Individual modules may be connected in series to obtain higher operating voltages, in parallel to provide additional energy storage, or a combination of series/parallel arrangements for higher voltages and energy. Only modules of the same model should be interconnected.

Passive balancing and thermal monitoring is incorporated into the module, the latter being accessible through a standard connector. The module enclosure consists of top and bottom highly resistant ABS shells, sheet metal sides, and a thick top plate on which the monitoring connector is mounted. The enclosure is not sealed but compliant per IP54 and requires no maintenance. Module temperature can be monitored by accessing the output of an internally mounted PT100 Thermistor through the monitoring connector.

2 Unpacking

Inspect the shipping box for signs of damage prior to unpacking the module. Damage to the shipping box or module should be reported to the carrier immediately. Remove the module from the shipping box by lifting the module straight up. Each module can be lifted by hand by one person. Retain the shipping materials until the unit has been inspected and is determined to be operational. The original shipping materials are approved for both air and ground shipment. Make sure that the shipping container(s) contain(s) the following:

- 1) Energy Module
- 2) User's Manual

If the unit is found to be defective or any parts are missing, contact Maxwell Technologies. A Return Material Authorization (RMA) number must be issued prior to returning the unit for repair or replacement. There are no other mating connector or accessory kits available for these units.

3 Installation

3.1 Mechanical

The module can be mounted in 2 orientations and requires the proper hardware to be used. The 2 supported orientations are:

- Horizontal, with connector on the top
- Vertical, on the longer side. For this orientation, the module needs to be bolted to a supporting side wall

Refer to Figure 1.1 and 1.2 below for overall module dimensions and mounting hole locations. The mounting plate on the top of the module is designed to support attachment of the module to an electrical system or enclosure. In order to properly secure the module to a base plate, use 4 (four) screws, M6, minimum 200 mm long, allowing for a minimum of 10 mm thread engagement in the base plate. These mounting screws must be 18-8 stainless steel or stronger, torqued to a recommended 12 Nm, and must include flat washers and locking devices. Longer screws may be required if using through-holes and nuts.

NOTE: These screws are application specific and thus NOT included with the module.

The temperature monitoring mating connector is not included with module. The mating connector can be sourced as follows:

BMOD0094 P075 module

Manufacturer: Harting® www.harting.de.

Quantity	Part Number	Description
1	09 36 008 3101	mating insert
3	09 15 000 622x	mating pins
1	09 37 003 1440 Or 19 37 003 1440	hood (heavy duty) hood (std)

BMOD0125 P064 module

Manufacturer: Molex MX150L

Quantity	Part Number	Description
1	19418	Receptacle
2	19420	Female terminal, 14-22AWG

When installing multiple modules in series or parallel configurations, leave 25mm clearance (minimum) between modules. Refer to section 3.2.1 for more electrical information on series and parallel configurations. Mounting dimensions and locations are shown in Figures 1 and 2. Please refer to the datasheet for the most up to date specifications.

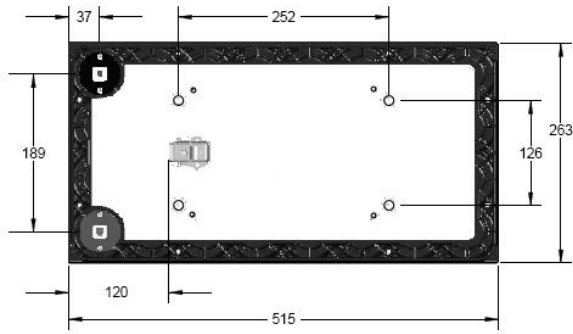


Figure 1. a) 75V/94F Module Dimensions

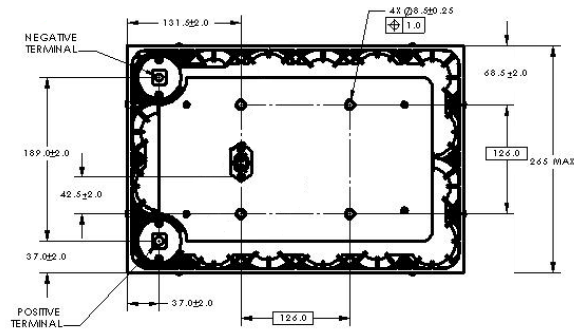
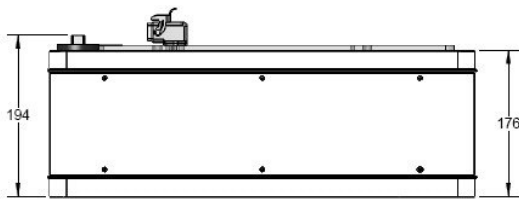


Figure 2. b) 64V/125F Module Dimensions.

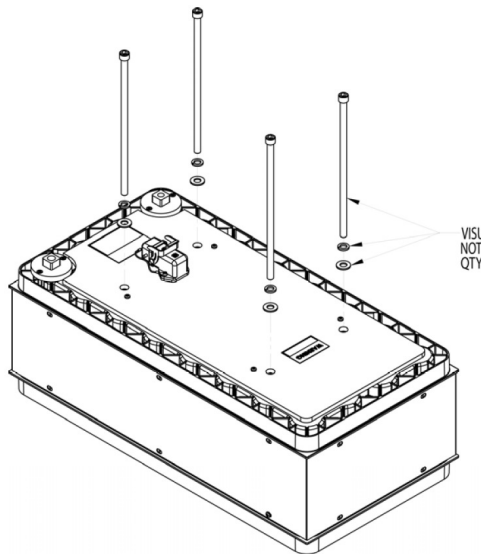
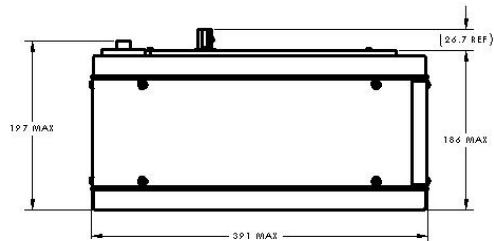
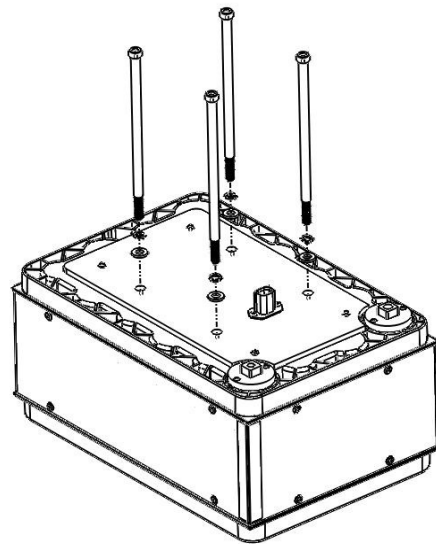


Figure 3. a) 75V Module mounting



b) 64V Module mounting

3.2 Electrical

WARNING



To avoid arcing or sparking, the energy storage module should be in a discharged state and the system power disconnected during installation. The module is shipped discharged. The shorting wire should be removed just prior to making electrical connections.

For more information about the discharge procedure, please refer to [Paragraph 7](#).

To provide the lowest possible equivalent series resistance (ESR_{DC}), the high power current path within the module is not fused. Care should be taken within the application to prevent excessive current flow. Excessive current and/or abnormal duty cycle will result in overheating the module and may cause irreparable damage. Please consult the specific data sheet for each module for current and duty cycle capabilities. The module features a passive balancing system that consists of one resistor in parallel with each cell.

3.2.1 Power Connection

3.2.1.1 Output Terminal Posts

The output terminals of the module consist of internally threaded aluminum posts. Maximum thread depth (bolt depth) is 15 mm. They are designed to connect directly to a ring lug or a bus bar appropriately sized for the application current. Apply a layer of antioxidant joint compound between the mating surfaces (high conductivity aluminum-aluminum, for example, Noalox[®] Anti-Oxidant Compound available from IDEAL; there are many other vendors that supply equivalent compounds). The positive terminal is threaded for M8 x1.25 steel bolts. The negative terminal is threaded for M10 x 1.5 steel bolts. Wave washers are required to ensure long term, reliable connections. When applying torque to the terminals, it is recommended to use the maximum torque for the M8 (20 Nm) and for the M10 (30 Nm) bolts and for aluminum threads. Anti-rotation features within the module limit the potential for damage to the terminals when applying torque to the bolts. The energy storage modules have a low ESR. As a result, the resistance of the wires connecting the energy storage module to the application can easily exceed the ESR of the module. Connection of modules in series or parallel should utilize the same gauge wire (or equivalent bus bar) as determined for final output connections. When connecting in series connect the positive output terminal of one module to the negative output terminal of the next module. When connecting in parallel connect the positive and negative output terminals of one module or string to the positive and negative output terminals, respectively, of the next module or string. When several modules are connected in series for operating at higher voltage, care must be taken to ensure proper creepage and clearance distances in compliance with safety standards for electrical equipment. When connecting modules in combination of series and parallel, please consult the local Maxwell Technologies application engineer. It is recommended to install covers over the power terminals to provide adequate isolation at the terminal level. These terminal covers are cable specific and are not included with the module.

3.2.2 Monitor Connection

A single, 8-pin connector on the top panel of the energy module carries signals for temperature monitoring. Figure 1.3 shows the pin assignment on the 8-pin connector for the 75V module and the 2-pin connector for the 64V module..

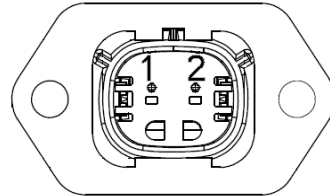


Figure 4. Harting connector pinout. **Figure 5.** Molex connector pinout.

Table 1. Pin assignment monitor connector.

Pin	Description	
	75V/94F	64V/125F
1	N/A	RTD lead 1 or 2
2	N/A	RTD lead 2 or 1
3	RTD lead 1 or 2	
4	RTD lead 2 or 1	
5-8	N/A	

3.2.2.1 Temperature Monitoring

The module uses a temperature sensor within the module at a location which is representative of the cell population temperature. The temperature output is via a PT100 resistance temperature device (RTD). The resistance of the sensor varies with temperature to provide the internal temperature of the module. The resistance measured through the sensor translates to temperature according to the chart in Table 2. (Device: Minco S17624PDYT20B, www.minco.com.)

Table 2. RTD function diagram: Resistance versus Temperature.

Temp°C	0	-1	-2	-3	-4	-5	-6	-7	-8	-9
-40	84.2707									
-30	88.2217	87.8271	87.4325	87.0377	86.6428	86.2478	85.8526	85.4573	85.0619	84.6663
-20	92.1599	91.7666	91.3732	90.9797	90.5861	90.1923	89.7985	89.4044	89.0103	88.6160
-10	96.0859	95.6938	95.3016	94.9093	94.5169	94.1244	93.7317	93.3390	92.9461	92.5530
0	100.000	99.6091	99.2181	98.8270	98.4358	98.0444	97.6529	97.2613	96.8696	96.4778
Temp°C	0	+1	+2	+3	+4	+5	+6	+7	+8	+9
0	100.000	100.3908	100.7814	101.1720	101.5624	101.9527	102.3429	102.7330	103.1229	103.5128
10	103.9025	104.2921	104.6816	105.0710	105.4603	105.8495	106.2385	106.6274	107.0162	107.4049
20	107.7935	108.1820	108.5703	108.9585	109.3467	109.7347	110.1225	110.5103	110.8980	111.2855
30	111.6729	112.0602	112.4474	112.8345	113.2215	113.6083	113.9950	114.3817	114.7681	115.1545
40	115.5408	115.9270	116.3130	116.6989	117.0847	117.4704	117.8560	118.2414	118.6268	119.0120
50	119.3971	119.7821	120.1670	120.5518	120.9364	121.3210	121.7054	122.0897	122.4739	122.8579
60	123.2419	123.6257	124.0095	124.3931	124.7766	125.1600	125.5432	125.9264	126.3094	126.6923
70	127.0751									

4 Thermal Performance

Low internal resistance of the energy storage modules results in relatively low internal heat generation within the modules during use. However, the module is designed for UPS/backup and other low duty cycle energy operations only and not for high duty cycle operations. Sufficient time needs to be allowed between cycles, depending on operating voltage, current, outdoor and module temperatures. For this reason, it is very important to monitor the module temperature through the monitoring connector.


5 Accessories

There are no accessories available for this product.

6 Operation

The module should only be operated within specified voltage and temperature ratings. Determine whether current limiting is necessary on input/output based on current ratings of ancillary devices. Observe polarity indicated on module.

7 Safety

WARNING
 DANGER – HIGH VOLTAGE HAZARD! Never touch the power terminals as the module can be charged and cause fatal electrical shocks. Always check that the module is fully discharged before manipulating the module. For more information about the discharge procedure, please refer to Paragraph 7.

The unit is shipped with a shorting wire across the terminals. Do not remove this wire until the unit is placed into operation.

Do not operate unit above specified voltage.

Do not operate unit above specified temperature rating.

Do not touch terminals with conductors while charged. Serious burns, shock, or material fusing may occur.

Protect surrounding electrical components from incidental contact.

Provide sufficient electrical isolation when working above 50 V DC.

Prior to installation on and removal from the equipment, it is mandatory to fully discharge the module.

Please proceed as follows to discharge the module:

1) Using a voltmeter, measure the voltage between the 2 terminals.

2) If the module voltage is above 2V, you will need to connect a resistor pack (not supplied with the module) between the terminals. Proper care needs to be taken in the design and construction of such a dissipative pack.

For example, at 75V, for a 2 Ohm pack, the module will be discharged with a current of 37.5A and will take 10-15 minutes to fully discharge. However, in this case, the heat/power dissipated in the resistor pack will be ~ 1.4kW. The resistor pack will need to be sized and provided with suitable cooling to handle this power dissipation. Additionally, proper enclosure or other packaging is necessary to ensure safety. In all cases, proper design of the dissipative resistor pack is necessary.

3) If the voltage is under 2V, the module is now considered safe for manipulation. However due to the low internal series resistance, high current can flow if the terminals are short circuited. Therefore specific care should still be taken.

8 Maintenance

Prior to cable installation or removal, or any other handling, ensure that the energy storage module is completely discharged in a safe manner. The stored energy and the voltage levels may be lethal if mishandling occurs.

9 Storage

The module can be stored in the original package, discharged, in a dry place. Observe the maximum storage temperature as stated in the specifications. Discharge used modules prior to stock or shipment.

10 Disposal

Do not dispose of module in trash. Dispose of according to local regulations for electronic waste.

11 Specifications

Refer to data sheets for specifications for each specific product.

Contact Information:



Maxwell Technologies, Inc.
Global Headquarters
5271 Viewridge Ct, Suite 100
San Diego, CA 92123
USA
Phone: +1 858 503 3300
Fax: +1 858 503 3301



Maxwell Technologies GmbH
Brucker Strasse 21
D-82205 Gilching
Germany
Phone: +49 (0)8105 24 16 10
Fax: +49 (0)8105 24 16 19



Maxwell Technologies SA
CH-1728 Rossens
Switzerland
Phone: +41 (0)26 411 85 00
Fax: +41 (0)26 411 85 05



Maxwell Technologies, Inc.
Shanghai Representative Office
#13E, CR Times Square
500 Zhangyang Road, Pudong
Shanghai 200122, P.R. China
Tel: +86 21 5836 8780
Fax: +86 21 5836 8790

www.maxwell.com
