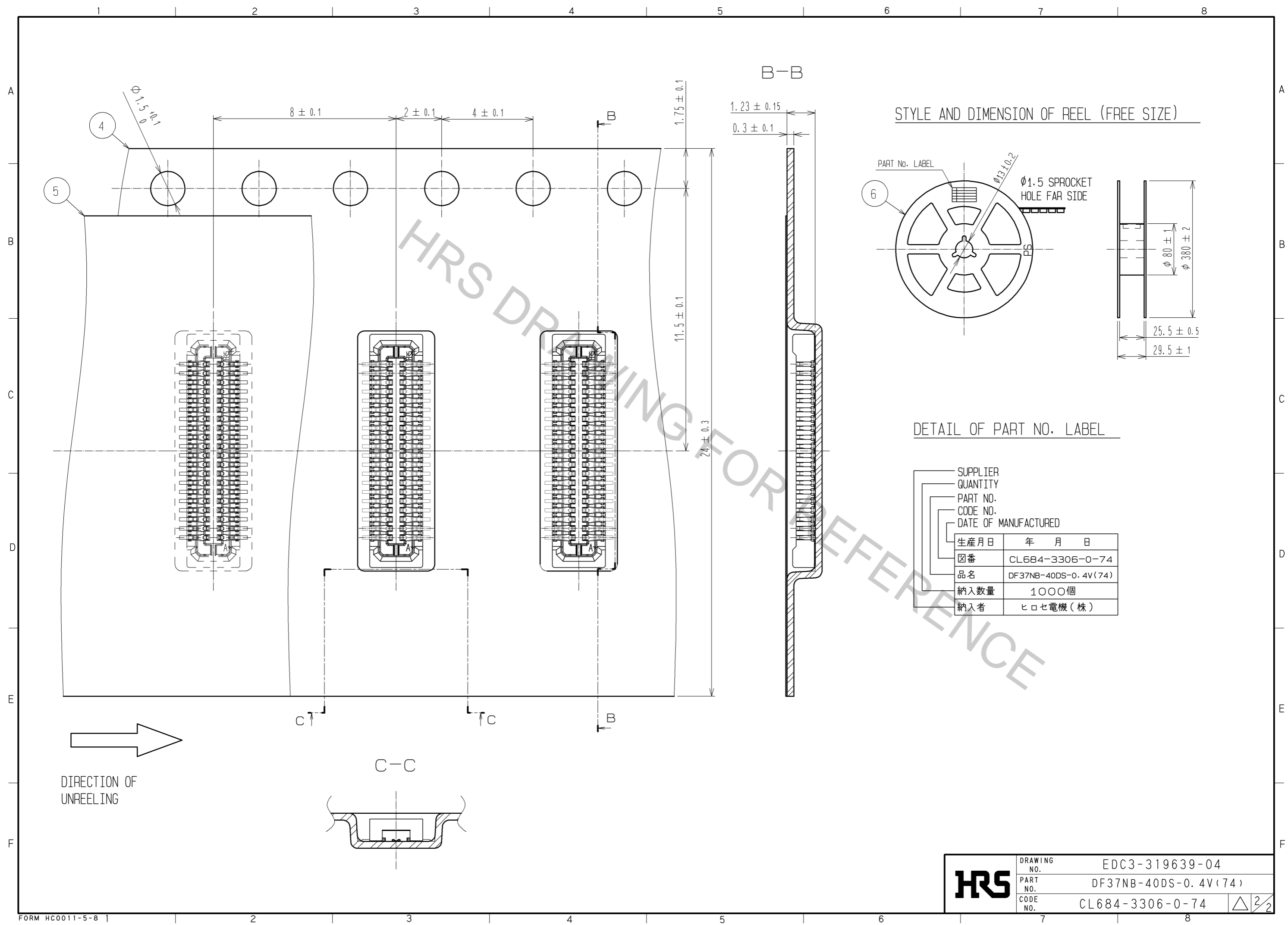


- NOTE 1. ALL LEADS CO-PLANARITY SHALL BE 0.1 MAX.
 2. PER REEL : 1000 CONNECTORS.
 3. AT THE BEGINNING OF THE REEL, 100 mm AT MIN SHALL BE EMPTY POCKETS.
 AT THE END OF THE REEL, 160 mm AT MIN SHALL BE EMPTY.
4 CONTACT PLATING SPECIFICATIONS.
 CONTACT AREA : GOLD 0.1#m MIN.
 SMT LEAD : GOLD 0.05#m MIN.
 UNDERPLATING : NICKEL 1#m MIN.
 (SURFACE : SEALING)
5 METAL HOLD DOWN PLATING SPECIFICATIONS.
 MOUNTING AREA: GOLD 0.05#m MIN.
 UNDERPLATING : NICKEL 1#m MIN.
 6. PEEL FORCE OF COVER TAPE REFERS TO JIS C 0806.

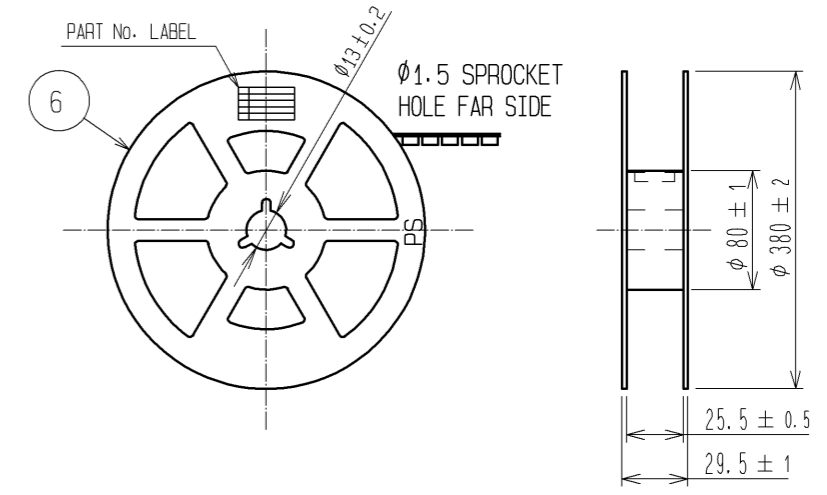
3	PHOSPHOR BRONZE	5	6	PS	PLASTIC REEL (BLACK)
2	PHOSPHOR BRONZE	4	5	POLYESTER	CLEAR(COVER TAPE)
1	LCP	UL94V-0, BLACK	4	PS	CLEAR(EMBOSSED CARRIER TAPE)
NO.	MATERIAL	FINISH, REMARKS	NO.	MATERIAL	FINISH, REMARKS

UNITS	SCALE	COUNT	DESCRIPTION OF REVISIONS	DESIGNED	CHECKED	DATE
mm	FREE	△				
APPROVED : KH. IKEDA			09.04.01	DRAWING NO. EDC3-319639-04		
CHECKED : TS. MIYAZAKI			09.03.31	PART NO. DF37NB-40DS-0.4V(74)		
DESIGNED : RT. SHIMIZU			09.03.16	CODE NO. CL684-3306-0-74		
DRAWN : RT. SHIMIZU			09.03.16	1/2		

Apr.1.2017 Copyright 2017 HIROSE ELECTRIC CO., LTD. All Rights Reserved.



STYLE AND DIMENSION OF REEL (FREE SIZE)



DETAIL OF PART NO. LABEL

SUPPLIER	HIROSE ELECTRIC CO., LTD.
QUANTITY	1000
PART NO.	DF37NB-40DS-0.4V(74)
CODE NO.	CL684-3306-0-74
DATE OF MANUFACTURED	生産月日 年 月 日
図番	CL684-3306-0-74
品名	DF37NB-40DS-0.4V(74)
納入数量	1000個
納入者	ヒロセ電機(株)

HRS	DRAWING NO.	EDC3-319639-04
	PART NO.	DF37NB-40DS-0.4V(74)
	CODE NO.	CL684-3306-0-74
		\triangle 2/2