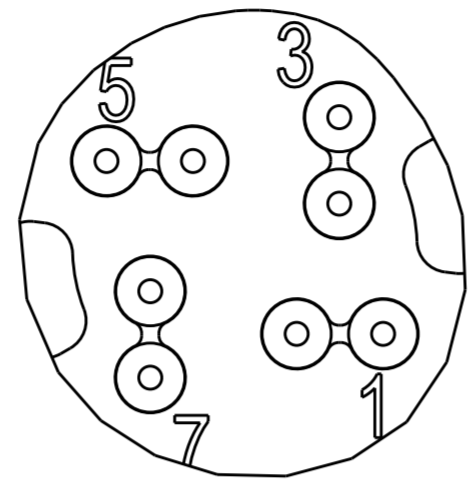


THIS DRAWING IS UNPUBLISHED. RELEASED FOR PUBLICATION
 © COPYRIGHT - BY - ALL RIGHTS RESERVED.

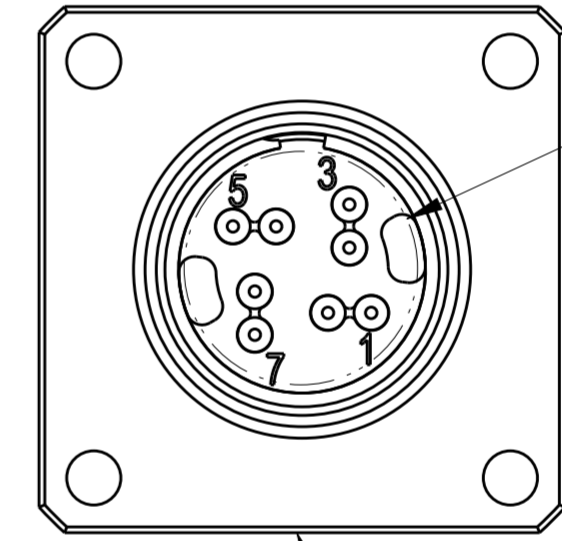
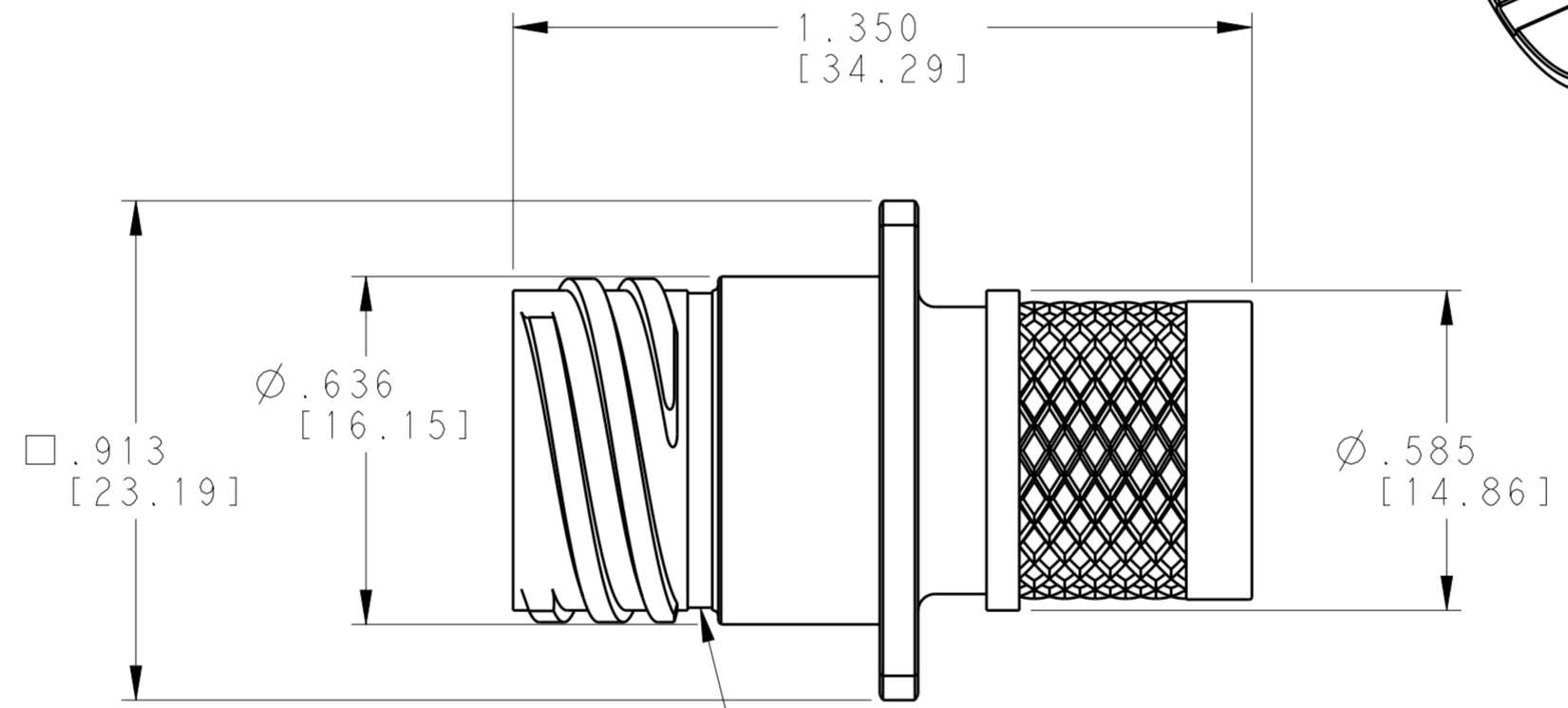
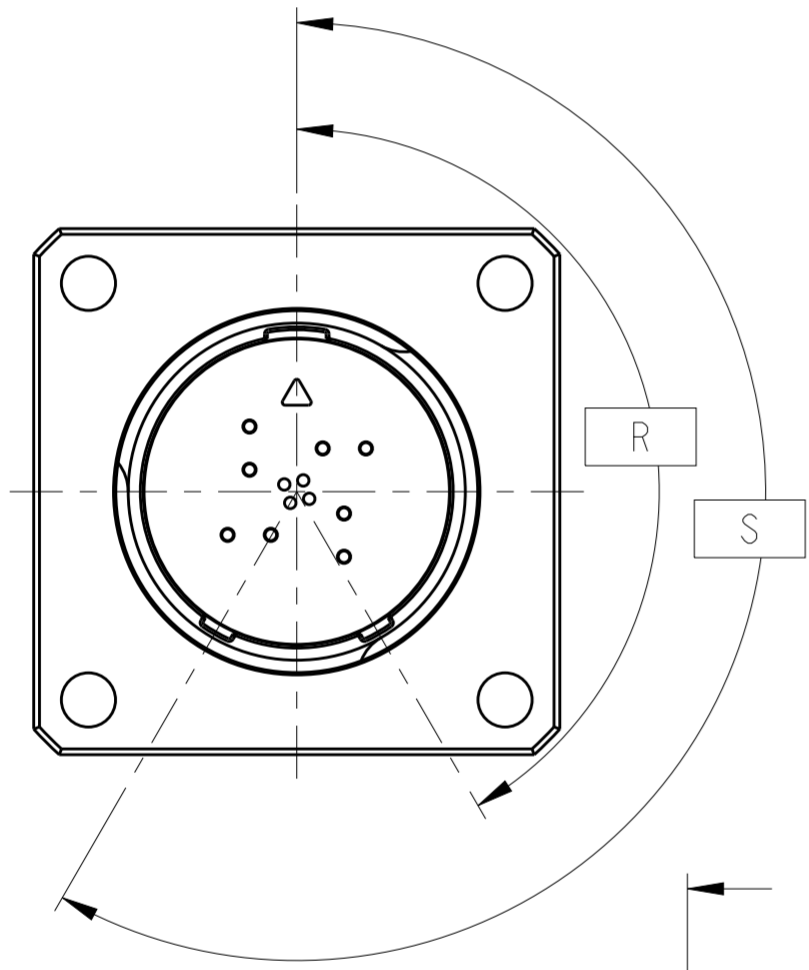
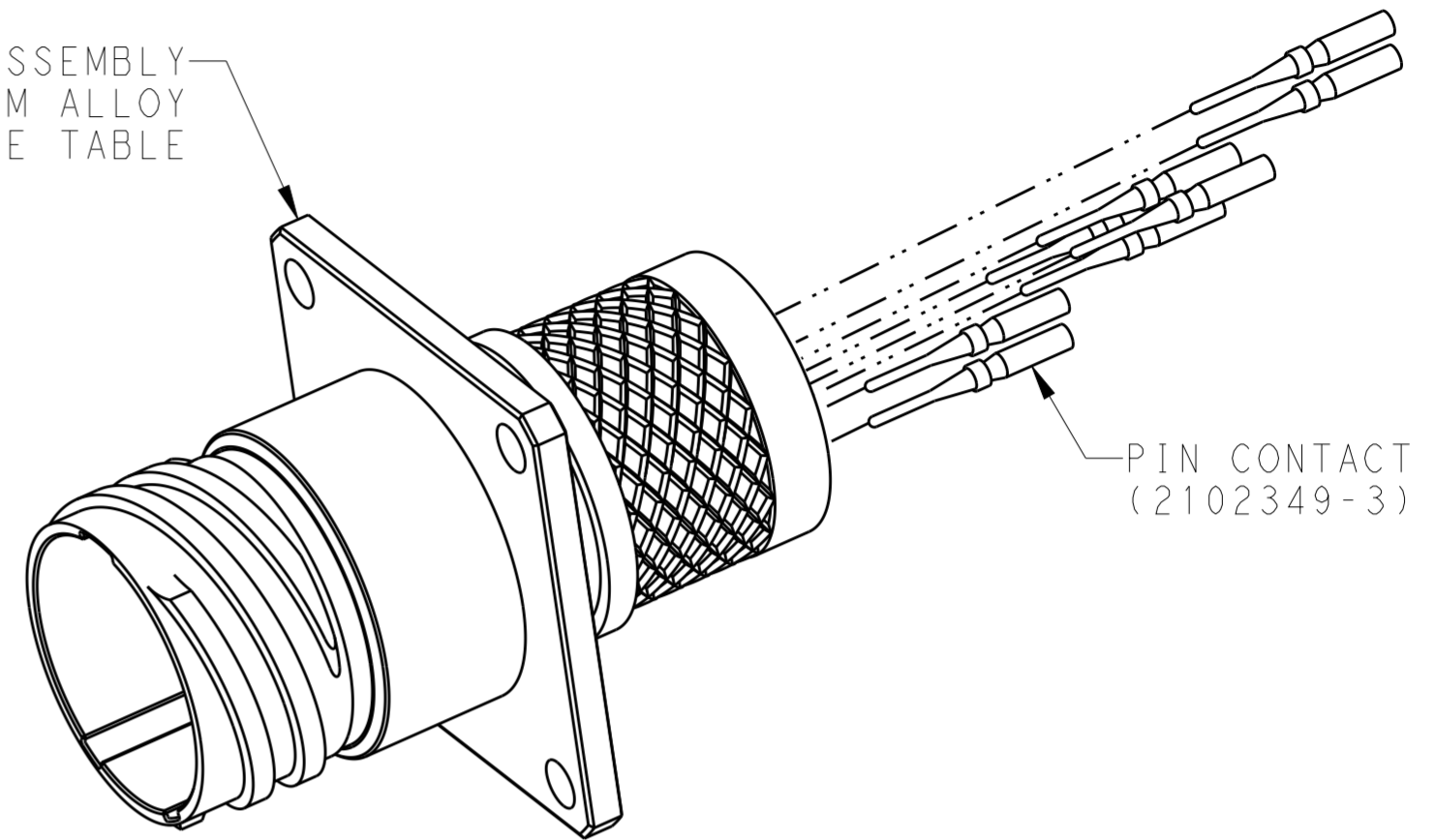
| LOC | | DIST | | REVISIONS | | | |
|-----|-----|---------------------------|---------|-----------|------|--|--|
| P | LTR | DESCRIPTION | DATE | DWN | APVD | | |
| B | | REV PER ECO 13-001557 | 2-12-13 | CT | DM | | |
| C | | REVISED PER ECO-15-013009 | 15DEC15 | RS | CT | | |
| | | | | | | | |

| KEY OPTION | KEY ROTATION | |
|------------|--------------|------|
| | "R" | "S" |
| NORMAL | 150° | 210° |
| A | 140° | 215° |
| B | 132° | 248° |

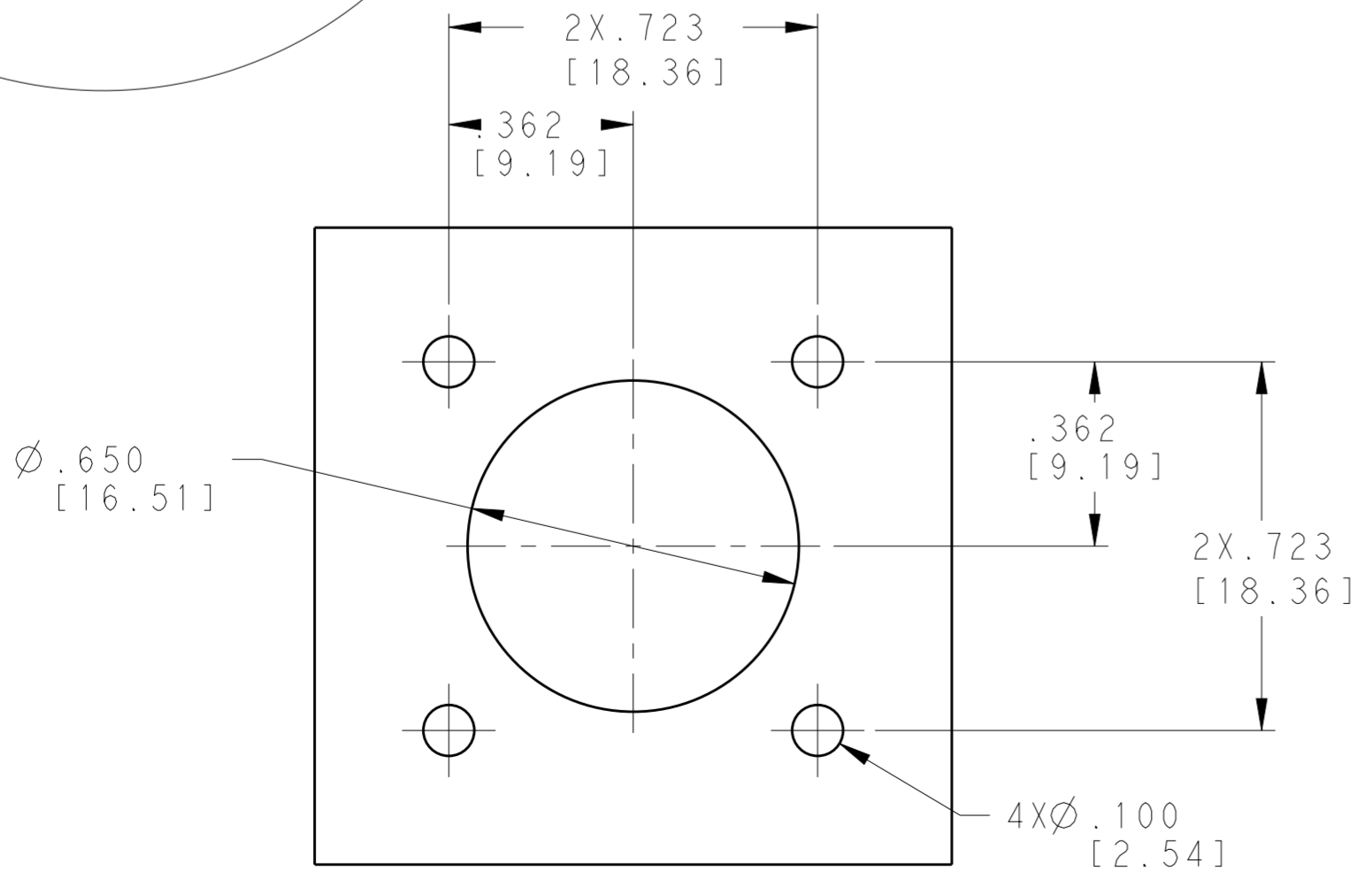


DETAIL A
SCALE 6:1

RECEPTACLE ASSEMBLY
SHELL MAT'L: ALUMINUM ALLOY
FINISH: SEE TABLE



"TE" AND DATE CODE
ON 1 OF 4 SIDES
TE PN ON ADJACENT FLAT



| | | | |
|-----------------|--------|-------------------------|-------------|
| 10 | B | BLACK ZINC NICKEL PLATE | 2102343-6 |
| 10 | B | NICKEL PLATE | 2102343-5 |
| 10 | A | BLACK ZINC NICKEL PLATE | 2102343-4 |
| 10 | A | NICKEL PLATE | 2102343-3 |
| 10 | NORMAL | BLACK ZINC NICKEL PLATE | 2102343-2 |
| 10 | NORMAL | NICKEL PLATE | 2102343-1 |
| PIN CONTACT QTY | KEYING | FINISH | PART NUMBER |
| 50um GOLD PLATE | OPTION | | |

THIS DRAWING IS A CONTROLLED DOCUMENT. DIMENSIONING AND TOLERANCING PER ASME Y14.5M (ISO STANDARDS)

DWN: MCKIBBEN, JOHN
CHK: DOWHOWER, KENNETH
APVD: DOWHOWER, KENNETH

DATE: 16DEC2011

PRODUCT SPEC: 108-2482
APPLICATION SPEC: 114-32025

MATERIAL: - SEE TABLE

SCALE: 3:1

SHEET 1 OF 1

REV C

STE TE Connectivity

RECEPTACLE ASSEMBLY KIT

SIZE: A2 CAGE CODE: 00779 DRAWING NO: C-2102343