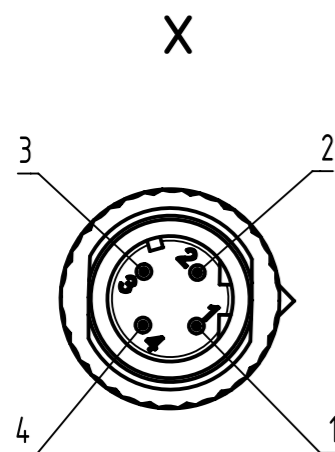
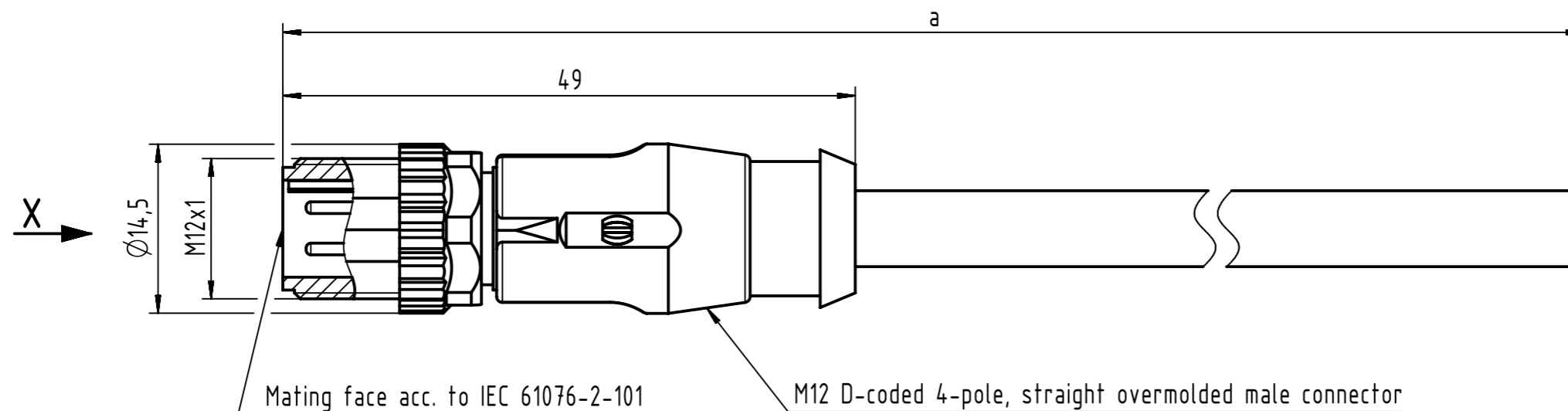
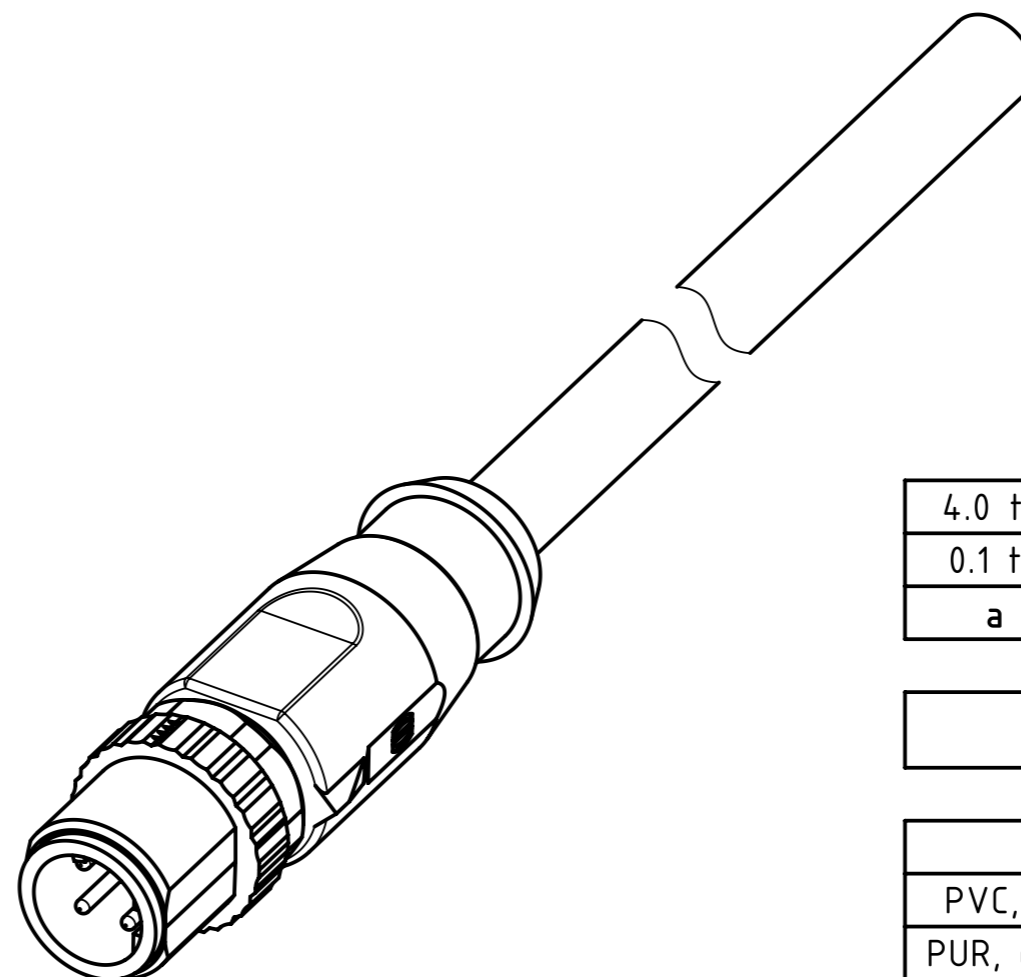
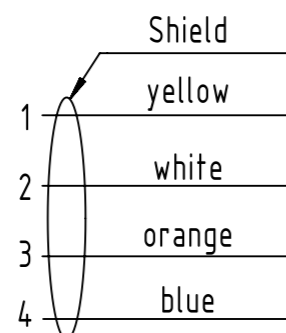


Connector Location A

Connector Location B



Loading-Plan:



length in "1m" step	100	XXX=000
	99	XXX=990
	.	.
	12	XXX=120
	11	XXX=110
length in "0.1m" step	10	XXX=100
	9.9	XXX=099
	9.8	XXX=098
	.	.
	0.4	XXX=004
	0.3	XXX=003
	0.2	XXX=002
	0.1	XXX=001
Step	a [m]	XXX

4.0 to 100	+1%
0.1 to 3.9	+0.04
a [m]	Tolerance

Part no.	213492004XXXXX
----------	----------------

Type of cable	XX
PVC, green, 4xAWG22/7	XX=05
PUR, green, 2x2xAWG22/7	XX=77

- Protection level: IP 65/67  
- Temperature range: -30°C ... +70°C

	All rights reserved Department HCS - RO	Created by MUNTEANV	Inspected by POPESCU	Standardisation AVRAM	Date 2017-04-06	State Final Release	Tech. Character.	Free size tol.	According to production drawing	
HARTING Customised Solutions D-32427 Minden		Title M12 D-coded Cable Assembly			Doc-Key / ECM-Nr. 100588444/UGD/000/D 500000117781		Type TB	Number 213492004XXXXX	Rev. D	Page 1/1