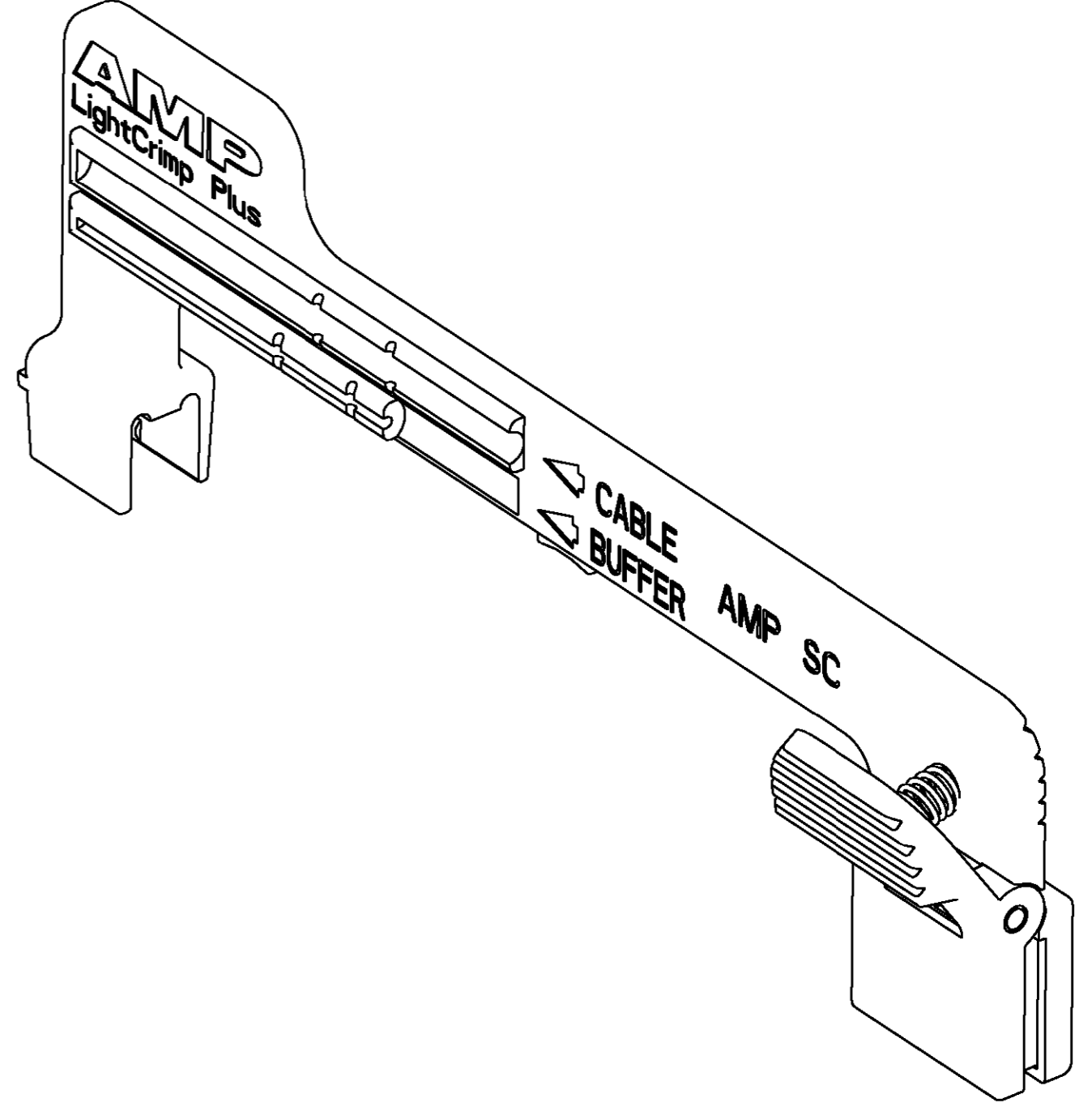
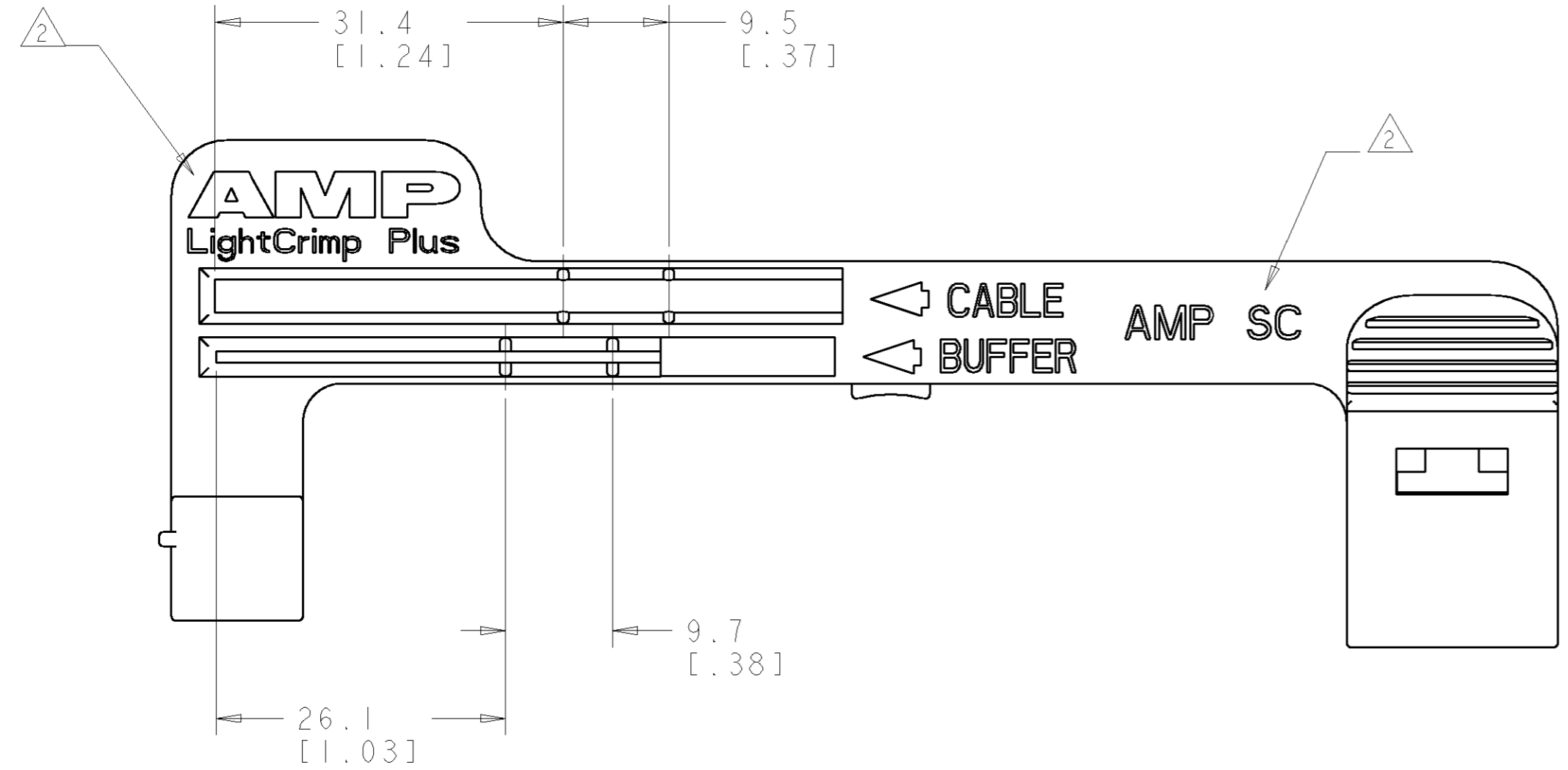
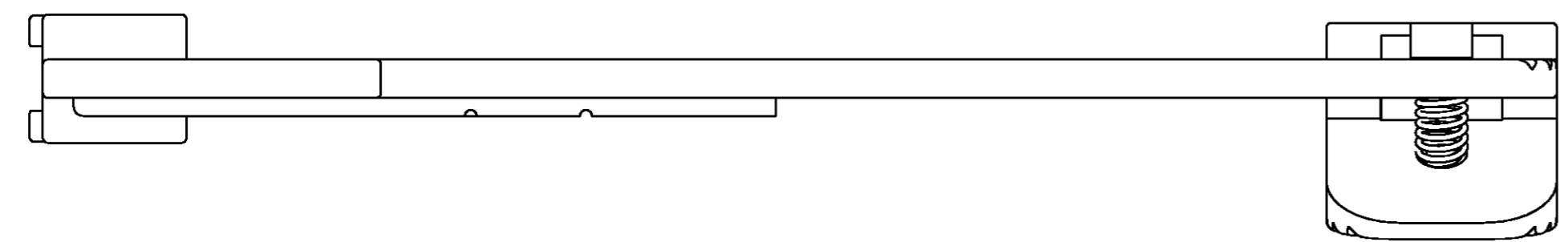
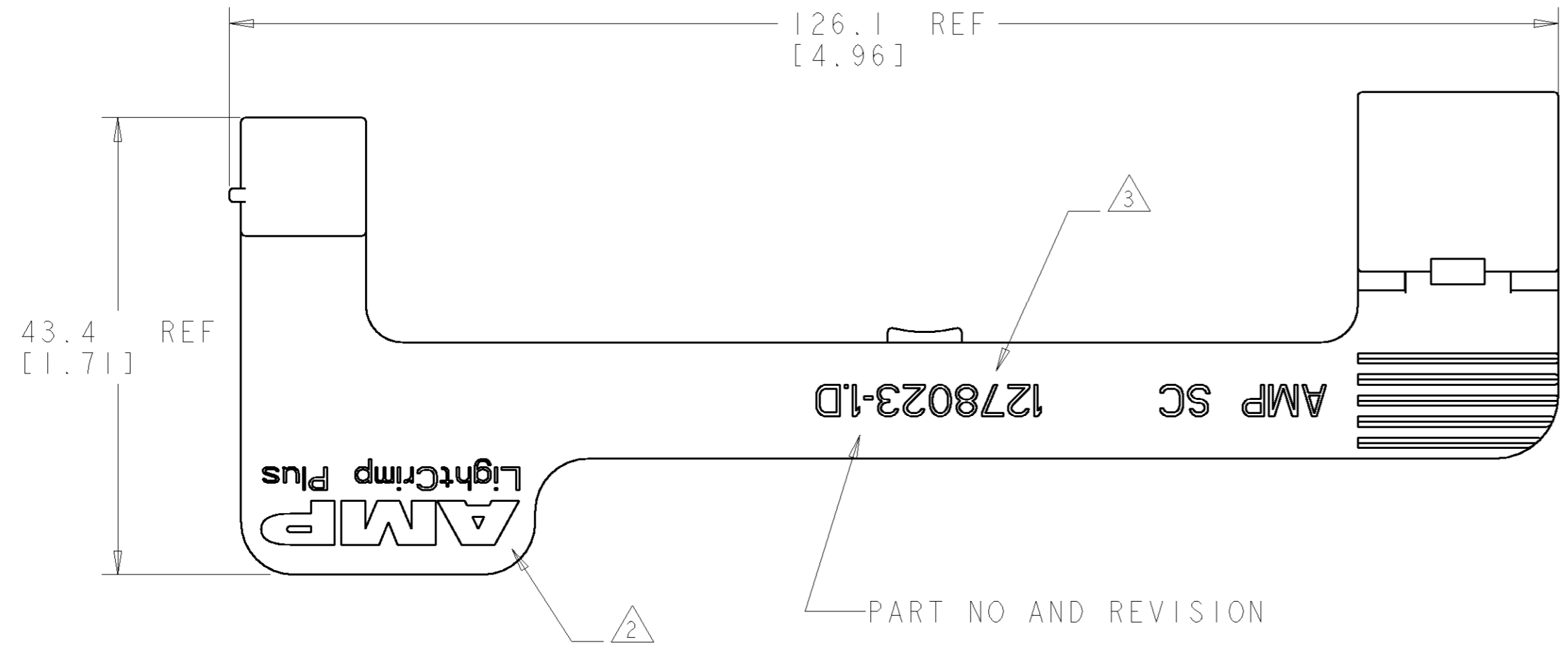


THIS DRAWING IS UNPUBLISHED. RELEASED FOR PUBLICATION  
 © COPYRIGHT 19 BY TYCO ELECTRONICS CORPORATION. ALL RIGHTS RESERVED.

LOC	DIST	REVISIONS			
P	LTR	DESCRIPTION	DATE	DWN	APVD
CE	16	D	REV PER 0A00-0851-00	10-10-00	DDE MH



- ① HANDLE AND ARM: POLYCARBONATE, COLOR: BLACK  
 PADS: URETHANE  
 SPRING AND PIN: SST
- ② NO "AMP" OR "AMP SC" LOGOS ON P/N'S DESIGNATED.
- ③ P/N SHOWN FOR ILLUSTRATION ONLY.  
 ACTUAL P/N TO BE STAMPED ON PART.

② GREEN	1278023-2
YELLOW	1278023-1
INK COLOR	PART NO

<small>THIS DRAWING IS A CONTROLLED DOCUMENT FOR TYCO ELECTRONICS CORPORATION                  IT IS SUBJECT TO CHANGE AND THE CONTROLLING ENGINEERING ORGANIZATION                  SHOULD BE CONTACTED FOR THE LATEST REVISION.</small>		DWN D. ERDMAN 3-3-99 CHK L. SAUERWEIN 3-3-99 APVD S. RUCHTER 3-3-99	AMP Incorporated Harrisburg, PA 17105-3608
DIMENSIONS: mm [INCHES]	TOLERANCES UNLESS OTHERWISE SPECIFIED: 0 PLC ± 1 PLC ±0.5 2 PLC ± 3 PLC ± 4 PLC ± ANGLES ± FINISH -	NAME ASSEMBLY, CABLE/BUFFER HOLDER, LightCrimp Plus AMP SC PRODUCT SPEC - APPLICATION SPEC - WEIGHT -	SIZE A2 CAGE CODE 00779 DRAWING NO. 1278023 RESTRICTED TO - CUSTOMER DRAWING SCALE 2:1 SHEET 1 OF 1 REV D