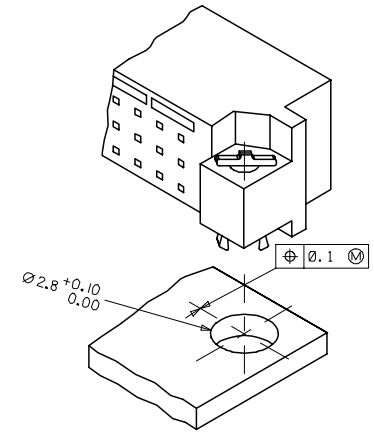
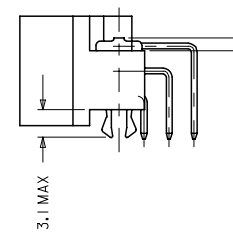


WITH MOUNTING CLIPS

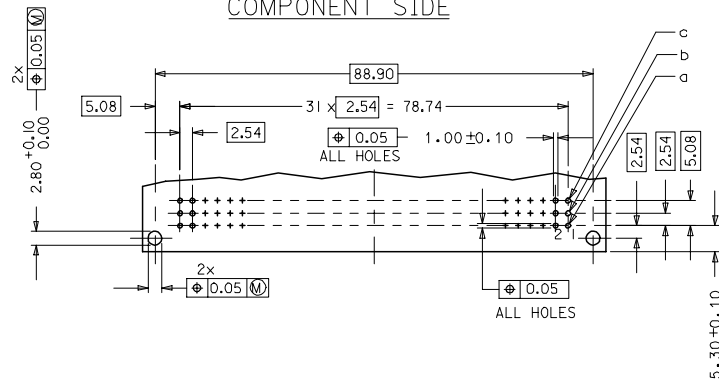
8:1



NOTES:

- MATERIALS: THERMOPLASTIC POLYESTER, GLASS FILLED, UL94V-0, COLOUR: PEBBLE GREY RAL 7032  
TERMINAL - BRASS  
MOUNTING CLIP: STEEL
- FINISH: TERMINAL:- CONTACT AREA  
1. PERFORMANCE LEVEL 4: SELECTIVE GOLD (Au), THICKNESS = 0.05 MICROMETER  
OVER NICKEL, THICKNESS = 1.50 MICROMETER  
TERMINATION AREA:  
SELECTIVE TIN, THICKNESS = 2.5 MICROMETER  
OVER NICKEL, THICKNESS = 1.50 MICROMETER OVERALL
- MOUNTING CLIP:- TIN (Sn), THICKNESS = 5-10 MICROMETER,  
OVER NICKEL (Ni), THICKNESS = 2.5 MICROMETER
- FOR NON MOUNTING CLIP OPTION, CONNECTOR TO BE SECURED WITH RIVETS: 2 TUBULAR RIVETS 2.5 x 0.3 ... DIN 7340  
SCREWS: 2 CHEESEHEAD SCREWS M2.5 x ... DIN 84 AND 2 HEXAGONAL NUTS M2.5 DIN 934
- MATERIAL NUMBER, BATCH CODE, UL AND CSA MARKING TO BE PRINTED ON THE CONNECTOR
- CUT FACE OF TIP WITHOUT PLATING PERMITTED
- PRODUCT SPECIFICATION : PS-36502-001

RECOMMENDED PCB LAYOUT COMPONENT SIDE

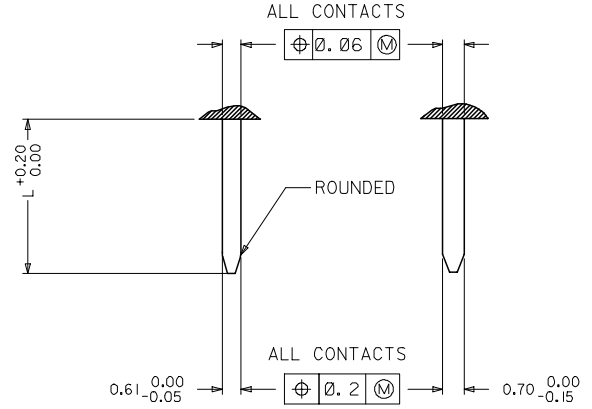


RoHS COMPLIANT

<b>ENTER DESCRIPTION</b> ELC.MC.12007-0502 2007/06/23 DRWING:BNMWAR 2007/06/23 CHK:KPRASAD 2007/06/23 APPR:KPRASAD 2007/06/23	<b>QUALITY SYMBOLS</b> ▽=0 ▽=0	<b>GENERAL TOLERANCES (UNLESS SPECIFIED)</b>		<b>DIMENSION STYLE</b> MM ONLY	<b>SCALE</b> 2:1	<b>DESIGN UNITS</b> METRIC	THIRD ANGLE PROJECTION
		4 PLACES ± --- ± --- 3 PLACES ± 0.05 ± --- 2 PLACES ± 0.1 ± --- 1 PLACE ± 0.15 ± ---	INCH --- --- ---	<b>DRAWN BY</b> SS	<b>DATE</b> 1999/09/01	<b>TITLE</b> ASSEMBLY, DIN 41612 C MALE 96 POS	
<b>DRAFT WHERE APPLICABLE MUST REMAIN WITHIN DIMENSIONS</b>	<b>SIZE</b> A 1	<b>DRAFT WHERE APPLICABLE MUST REMAIN WITHIN DIMENSIONS</b>		<b>MATERIAL NO.</b> SEE CHART	<b>DOCUMENT NO.</b> SD-36502-022	<b>SHEET NO.</b> 1 OF 2	
		THIS DRAWING CONTAINS INFORMATION THAT IS PROPRIETARY TO MOLEX INCORPORATED AND SHOULD NOT BE USED WITHOUT WRITTEN PERMISSION					

20	19	18	17	16	15	14	13	12	11	10	9	8	7	6	5	4	3	2	1
MATERIAL No	MOLEX ENG No	PERF LEVEL	PLATING	CONTACT SEQUENCE/ROW	PREMATING CONTACT POS.	MOUNTING CLIP													
36502-0137	MM-B I800-C960	4	Au+Ni	1,2,3....32 a+b+c	NO	NO													

DETAILY      DETAILX



PRE MATING CONTACTS	5.4
NORMAL CONTACTS	4.8
	L

RoHS COMPLIANT

<b>ENTER DESCRIPTION</b> ELC.MC1.12007.0502 DRAWING: BMMAR 2007/06/23 CHK:KPRASAD 2007/06/23 APPR:KPRASAD 2007/06/23	<b>QUALITY SYMBOLS</b> ▽=0 ▽=0	<b>GENERAL TOLERANCES (UNLESS SPECIFIED)</b>		<b>DIMENSION STYLE</b> MM ONLY	<b>SCALE</b> 2:1	<b>DESIGN UNITS</b> METRIC	THIRD ANGLE PROJECTION	
		4 PLACES ± --- ± --- 3 PLACES ± 0.05 ± --- 2 PLACES ± 0.1 ± --- 1 PLACE ± 0.15 ± ---	.mm    .INCH ± ---    ± --- ± ---    ± --- ± ---    ± ---	DRAWN BY: SS DATE: 1999/09/01	CHECKED BY: G.J.LOWE DATE: 1999/09/01	ASSEMBLY, DIN 41612 C MALE 96 POS		
		ANGULAR ± 2°		APPROVED BY: G.J.LOWE DATE: 1999/09/01	MOLEX INCORPORATED			
		DRAFT WHERE APPLICABLE MUST REMAIN WITHIN DIMENSIONS		MATERIAL NO. SEE CHART SIZE: A 1	DOCUMENT NO. SD-36502-022	SHEET NO. 2 OF 2		