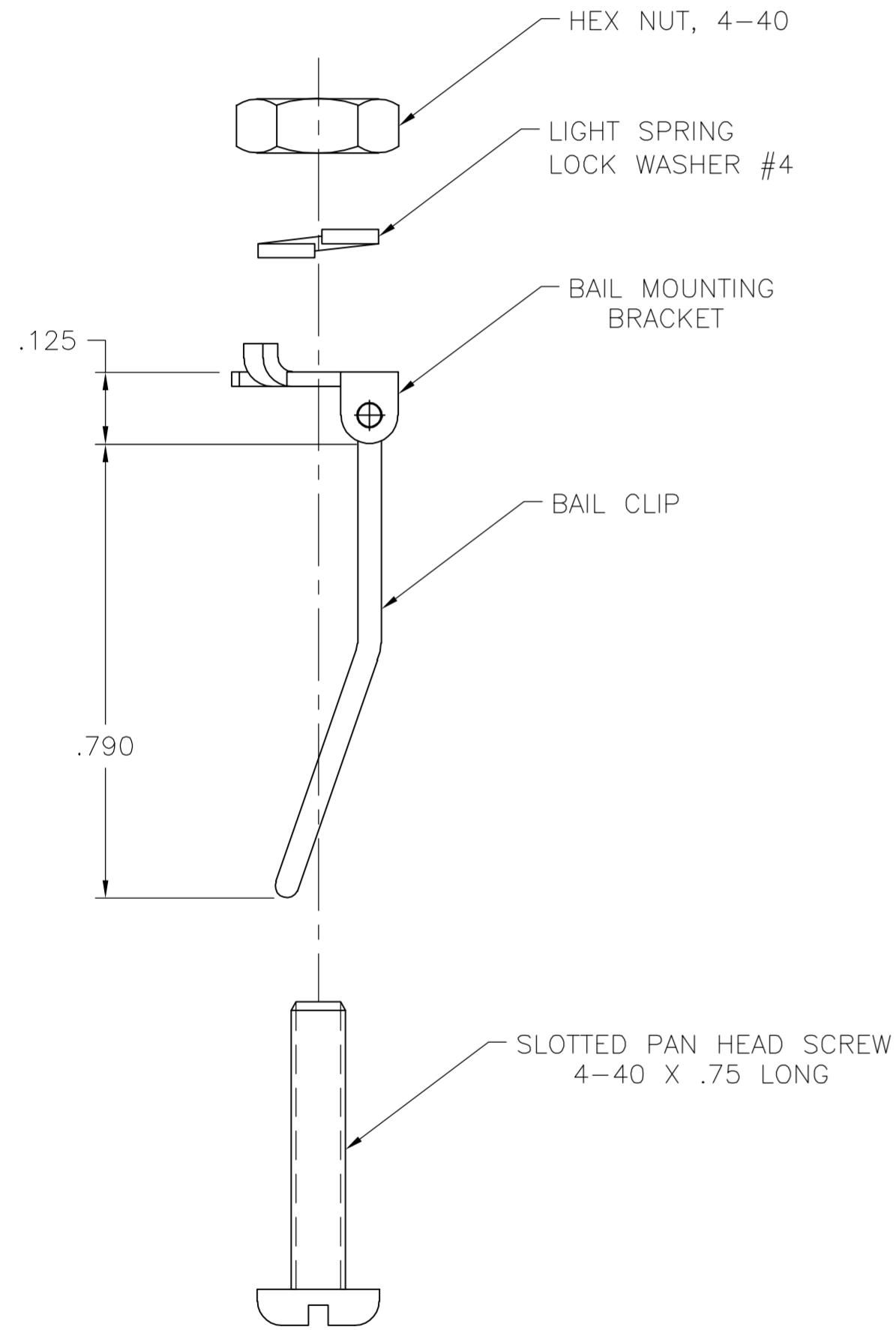


THIS DRAWING IS UNPUBLISHED. RELEASED FOR PUBLICATION  
 © COPYRIGHT BY TYCO ELECTRONICS CORPORATION. ALL RIGHTS RESERVED.

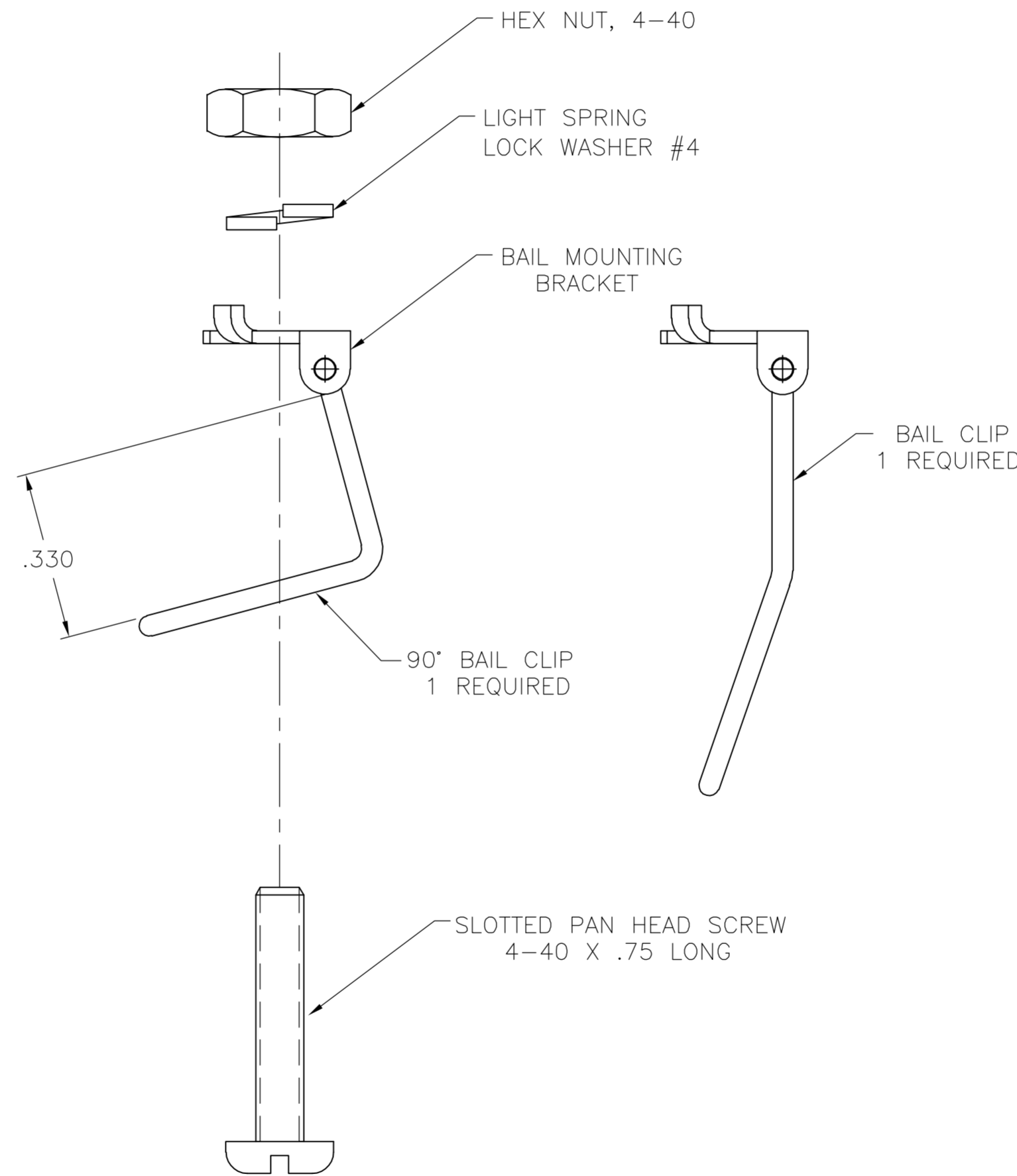
LOC	DIST	REVISIONS			
P	LTR	DESCRIPTION	DATE	DWN	APVD
GP	00	RELEASED PER EC 0513-0288-05	30SEP05	BM	WM

1. ALL DIMENSIONS SHOWN ARE FOR REFERENCE ONLY UNLESS OTHERWISE SPECIFIED.
2. 2 REQUIRED OF EACH COMPONENT PER KIT UNLESS OTHERWISE SPECIFIED.

3 MATERIAL:  
 LOCKWASHER: PASSIVATED STAINLESS STEEL  
 BAIL CLIPS, PAN HEAD SCREW & HEX NUT: PASSIVATED STAINLESS STEEL.  
 MOUNTING BRACKETS: ZINC PLATED STEEL.



KIT P/N 5552562-1  
 VIEW A



KIT P/N 5552562-2  
 VIEW B

B	5552562-2
A	5552562-1
VIEW	PART NUMBER

THIS DRAWING IS A CONTROLLED DOCUMENT.		DWN B. MCMASTER 30SEP05	<b>tyco</b> Tyco Electronics Corporation Harrisburg, PA 17105-3608	
DIMENSIONS: INCHES		CHK W. MILLHIMES 30SEP05		
TOLERANCES UNLESS OTHERWISE SPECIFIED:		APVD W. MILLHIMES 30SEP05	NAME	
0 PLC ± -		PRODUCT SPEC	HARDWARE KIT, BAIL LOCK, VERTICAL MOUNTING, CHAMP	
1 PLC ± -		APPLICATION SPEC	SIZE A2	CAGE CODE 00779
2 PLC ± -		WEIGHT -	DRAWING NO C=5552562	RESTRICTED TO -
3 PLC ± -		CUSTOMER DRAWING		
4 PLC ± -		SCALE 4:1	SHEET 1 of 1	REV 0
ANGLES ± -				
FINISH 3				