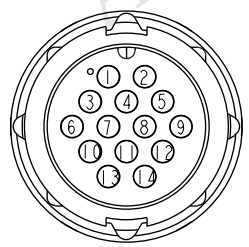
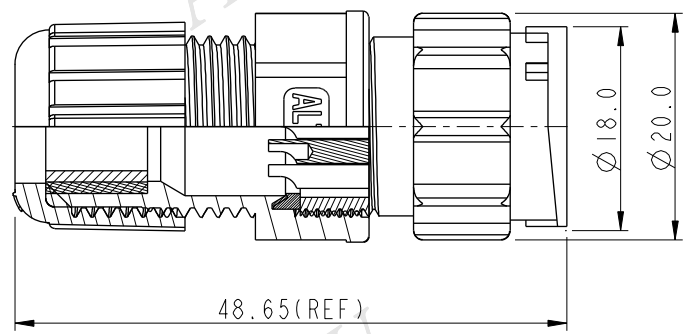
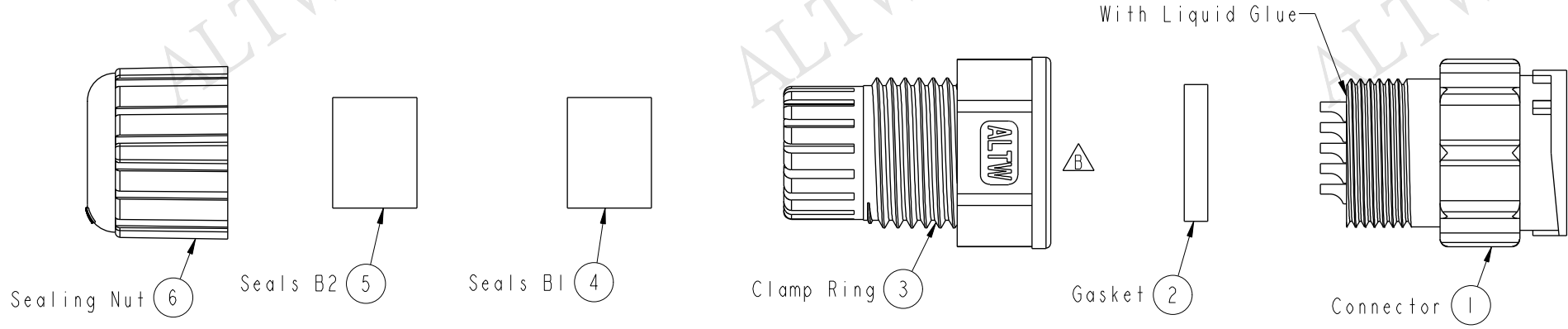
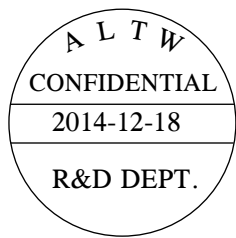


THIS DOCUMENT IS SUBJECT TO CHANGE WITHOUT NOTICE. IT IS CONFIDENTIAL AND A PROPERTY OF AMPHENOL LTW. DISCLOSURE TO THIRD PARTY HAS TO BE AUTHORIZED BY AMPHENOL LTW.

REV.	ECN NO.	DATE	SIGN	DESCRIPTION
B	LEN1530174	2014/12/18	Ruru	Change Logo



Pin Assignments
Front View 前視圖



- Note:**
- * \varnothing Important Dimension
 - * Housing: Nylon+GF, Black
 - * Gasket: Silicone, Black
 - * Clamp Ring: Nylon+GF, Black
 - * Seals B1: EPDM, Black
 - * Seals B2: EPDM, Black
 - * Sealing Nut: Nylon+GF, Black
 - * Seal B1 for Cable OD: $\varnothing 7.6\text{mm} \sim \varnothing 9.6\text{mm}$
 - * Seal B2 for Cable OD: $\varnothing 4.0\text{mm} \sim \varnothing 7.6\text{mm}$
 - * One Set Unassembled in One PE Bag

UNIT: mm			TITLE Lock Type Connector For Field Installation 180° 14Pin Male Connector Male Pin(5A)		
TOLERANCE .X ±0.25 .XX ±0.1 .XXX ±0.05 ANGLES ±1°	SCALE 1:1	SIZE A4	SHEET 1	OF 1	REV. B
		WC-REV. A.2	\varnothing : Inspection item		

Amphenol LTW
安費諾亮泰企業股份有限公司

ITEM NO. CD-14BMMA-LL7001	DRAWN BY Ruru	DATE 2014-12-18
DWG NO. CD-14BMMA-LL7001	CHECKED BY Rita	DATE 2014-12-18
CUSTOMER ALTW	APPROVED BY Win	DATE 2014-12-18