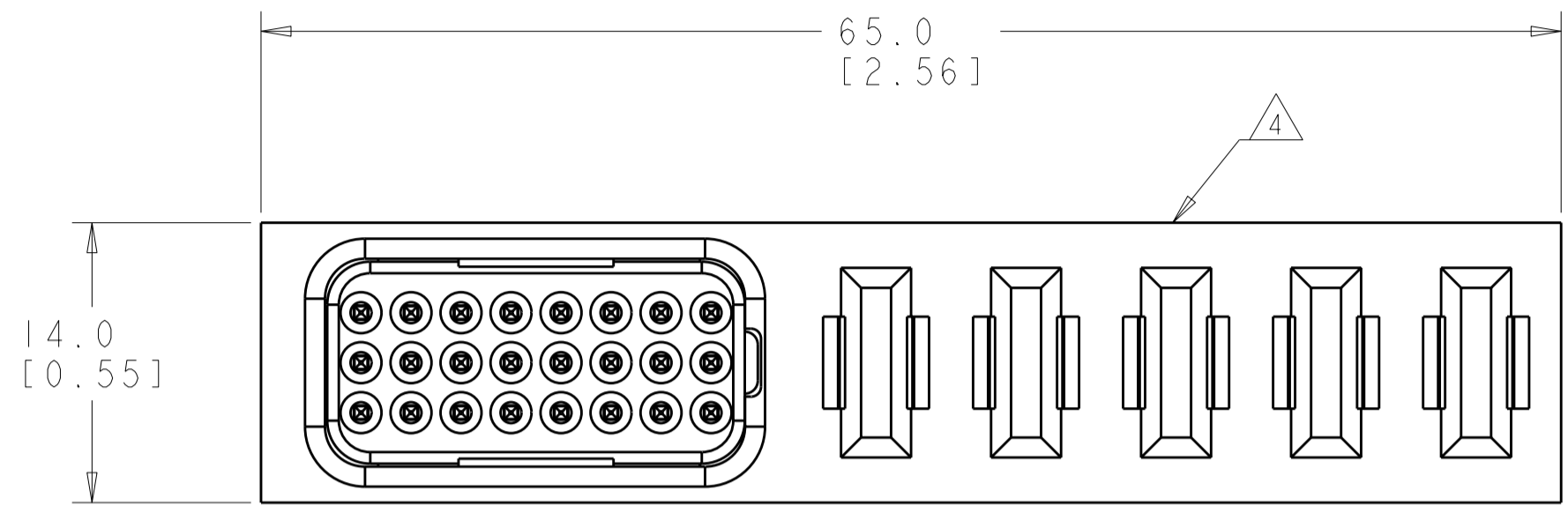


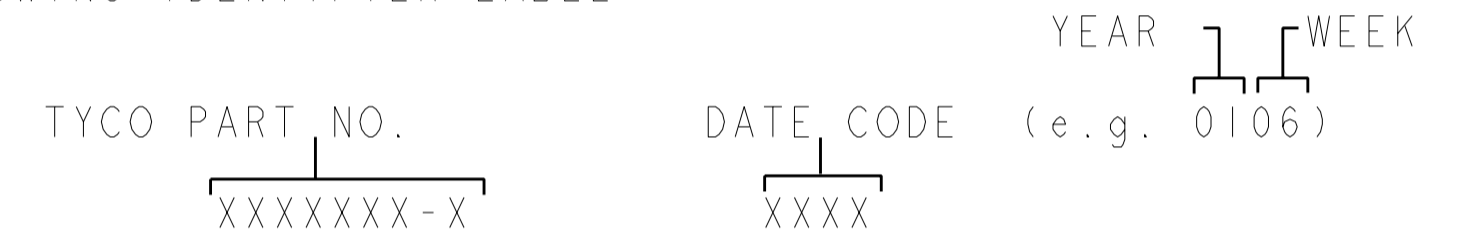
THIS DRAWING IS UNPUBLISHED. RELEASED FOR PUBLICATION 20
 © COPYRIGHT 20 BY TYCO ELECTRONICS CORPORATION. ALL RIGHTS RESERVED.

LOC		DIST		REVISIONS			
P	LTR	DESCRIPTION	DATE	DWN	APVD		
GP	00	A	RELEASED	20SEP2006	RG	DL	
		B	REV PER ECO-11-020831	15SEP2011	RG	MS	

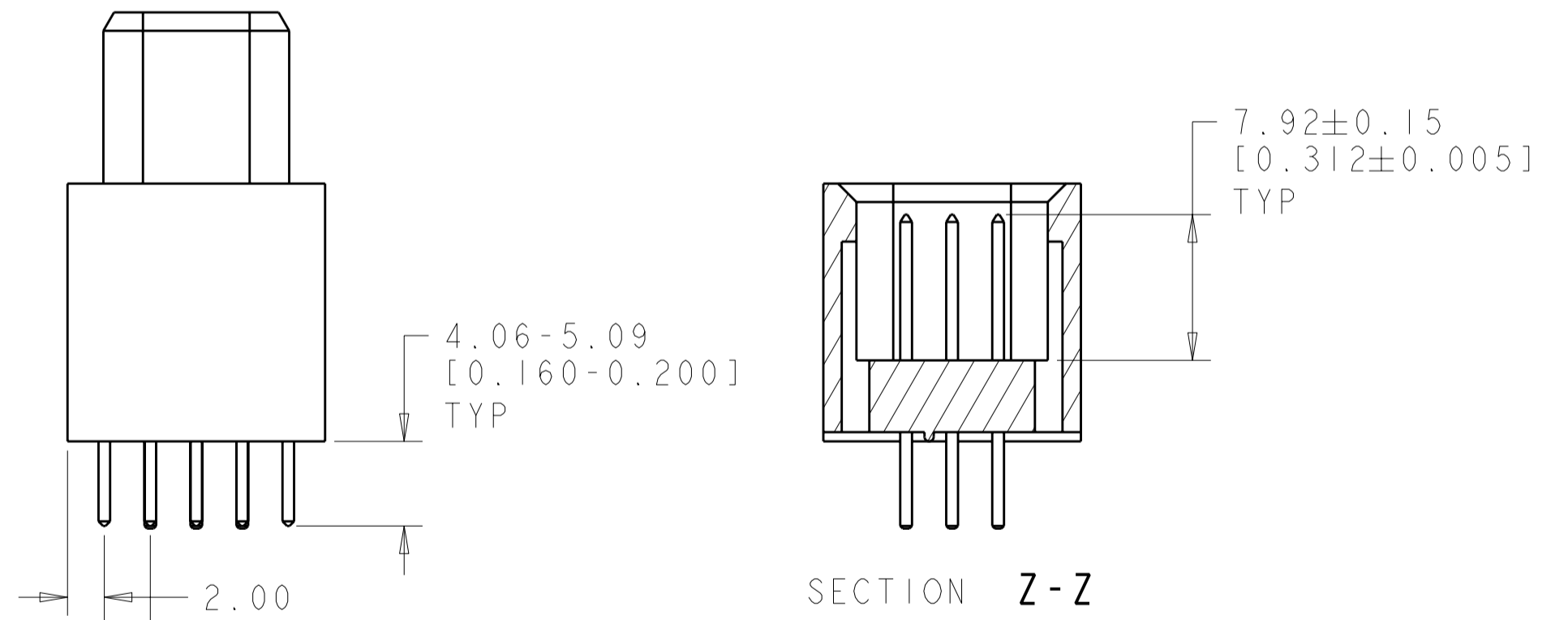
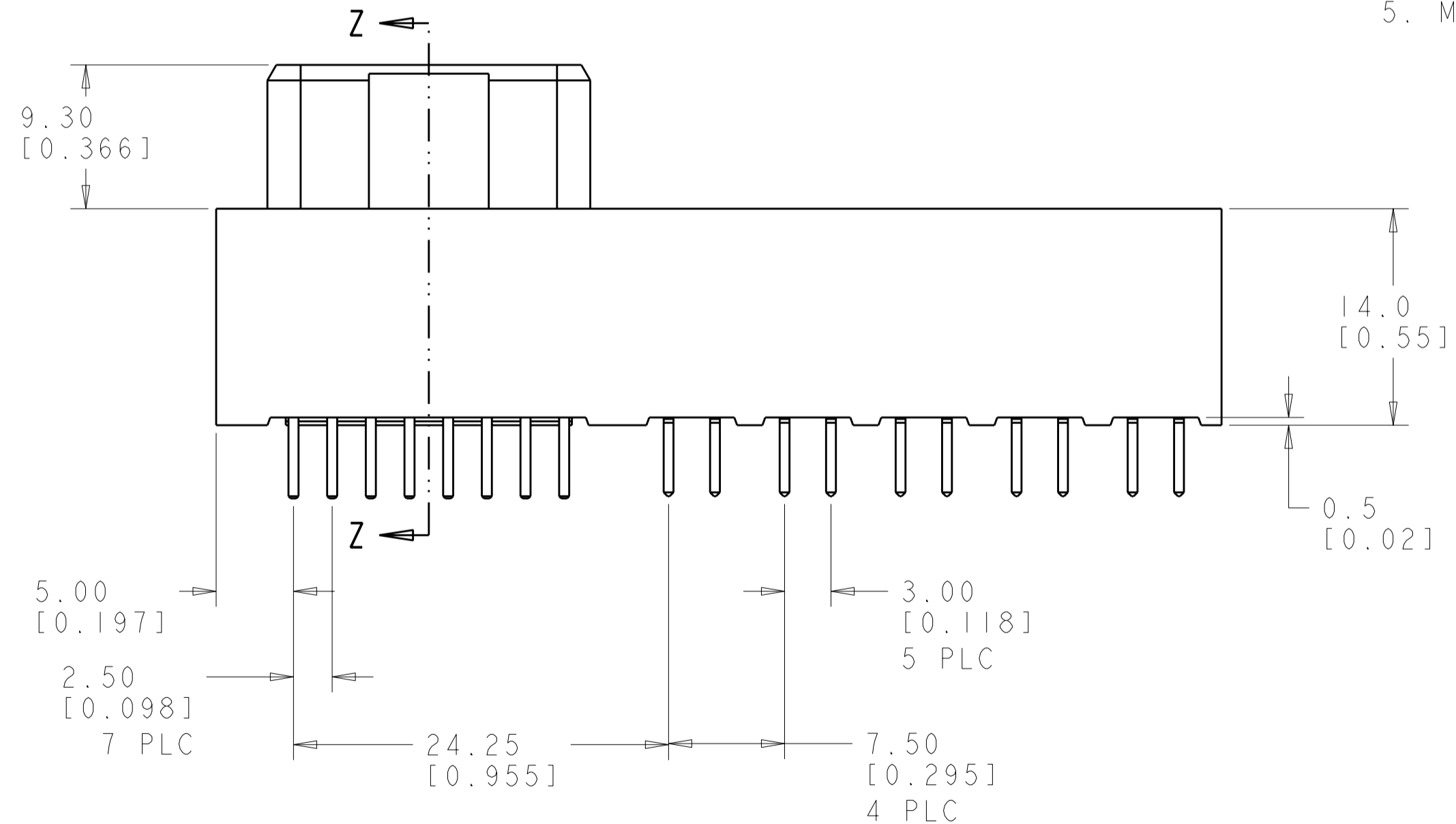


- PART NUMBER CHANGES AND OR DESIGN CHANGES AFFECTING ITEM INTERCHANGEABILITY REQUIRE PRIOR TYCO APPROVAL AND AUTHORIZATION BY REVISION TO THIS DRAWING.
- MATERIAL:
 - INSULATORS - THERMOPLASTIC, GLASS REINFORCED, COLOR: BLACK UL94V-0 FLAMMABILITY RATED.
 - POWER CONTACTS - PHOSPHOR BRONZE ALLOY, COPPER ALLOY
 - CROWN BANDS - BERYLLIUM COPPER ALLOY
 - SIGNAL CONTACTS - BRASS ALLOY
- FINISH:
 - CONTACTS - GOLD PLATE .000030 INCH MIN. THK., OVER NICKEL .000040 INCH MIN. THK SOLDER TAILS, TIN, .000100 INCH MIN. THK.

△ ITEMS PROVIDED TO THIS SPECIFICATION TO BE PERMANENTLY IDENTIFIED PER THE FOLLOWING IDENTIFIER LABEL



5. MATES WITH 6651646-1

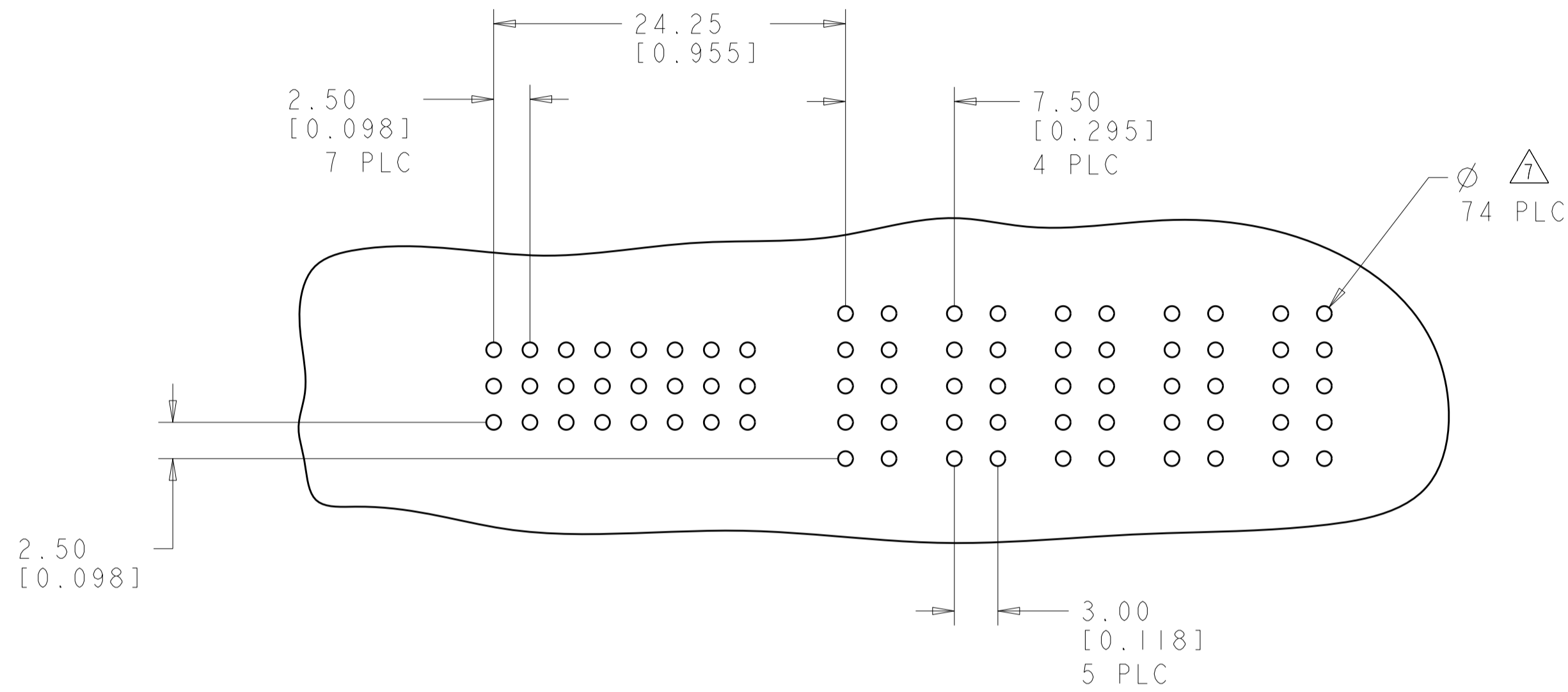


ELCON FLATPAQ

THIS DRAWING IS A CONTROLLED DOCUMENT FOR TYCO ELECTRONICS CORPORATION. IT IS SUBJECT TO CHANGE AND THE CONTROLLING ENGINEERING ORGANIZATION SHOULD BE CONTACTED FOR THE LATEST REVISION.		DWN R. GRZYBOWSKI 20SEP2006	AS SHOWN	6651647-1
DIMENSIONS: mm [INCHES]		CHK D. LORD 20SEP2006	DESCRIPTION	PART NUMBER
TOLERANCES UNLESS OTHERWISE SPECIFIED: 0 PLC ±.5 [0.020] 1 PLC ±.25 [0.010] 2 PLC ±.25 [0.010] 3 PLC ±. 4 PLC ±. ANGLES ±.5 FINISH		APVD S. FLICKINGER 20SEP2006	Tyco Electronics Harrisburg, PA 17105-3608	
MATERIAL		PRODUCT SPEC - APPLICATION SPEC -	NAME SOCKET CONNECTOR STRAIGHT, SOLDER TAIL, FLATPAQ	
-		WEIGHT -	SIZE A2	CAGE CODE 00779
CUSTOMER DRAWING		SCALE 3:1	DRAWING NO. 6651647	RESTRICTED TO -
		SHEET 1	OF 3	REV B

THIS DRAWING IS UNPUBLISHED. RELEASED FOR PUBLICATION 20
 © COPYRIGHT 20 BY TYCO ELECTRONICS CORPORATION. ALL RIGHTS RESERVED.

LOC	DIST	REVISIONS			
P	LTR	DESCRIPTION	DATE	DWN	APVD
GP	00	-	SEE SHEET 1	-	-



PRINTED CIRCUIT LAYOUT
 COMPONENT SIDE

CONNECTOR	CATALOG MODULE #	QTY	SIZE NO.	CONTACT QTY	MATING PIN	MAX. CURRENT (PER CONTACT)	CONTACT SPACING	VOLTAGE RATING
SOCKET	FP706	5	8	5	1.25 X 7.00 [.049 X .276]	35 amps	7.50 [.2953]	250
		1	22	24	.64 [.025] SQ.	3 amps	2.50 [.0984]	125 VOLTS

THIS DRAWING IS A CONTROLLED DOCUMENT FOR TYCO ELECTRONICS CORPORATION. IT IS SUBJECT TO CHANGE AND THE CONTROLLING ENGINEERING ORGANIZATION SHOULD BE CONTACTED FOR THE LATEST REVISION.

DWN: R. GRZYBOWSKI 20SEP2006
 CHK: D. LORD 20SEP2006
 APVD: S. FLICKINGER 20SEP2006

tyco Tyco Electronics
 Harrisburg, PA 17105-3608

NAME: SOCKET CONNECTOR STRAIGHT, SOLDER TAIL, FLATPAQ

SIZE: A2 CAGE CODE: 00779 DRAWING NO: 6651647 RESTRICTED TO: -

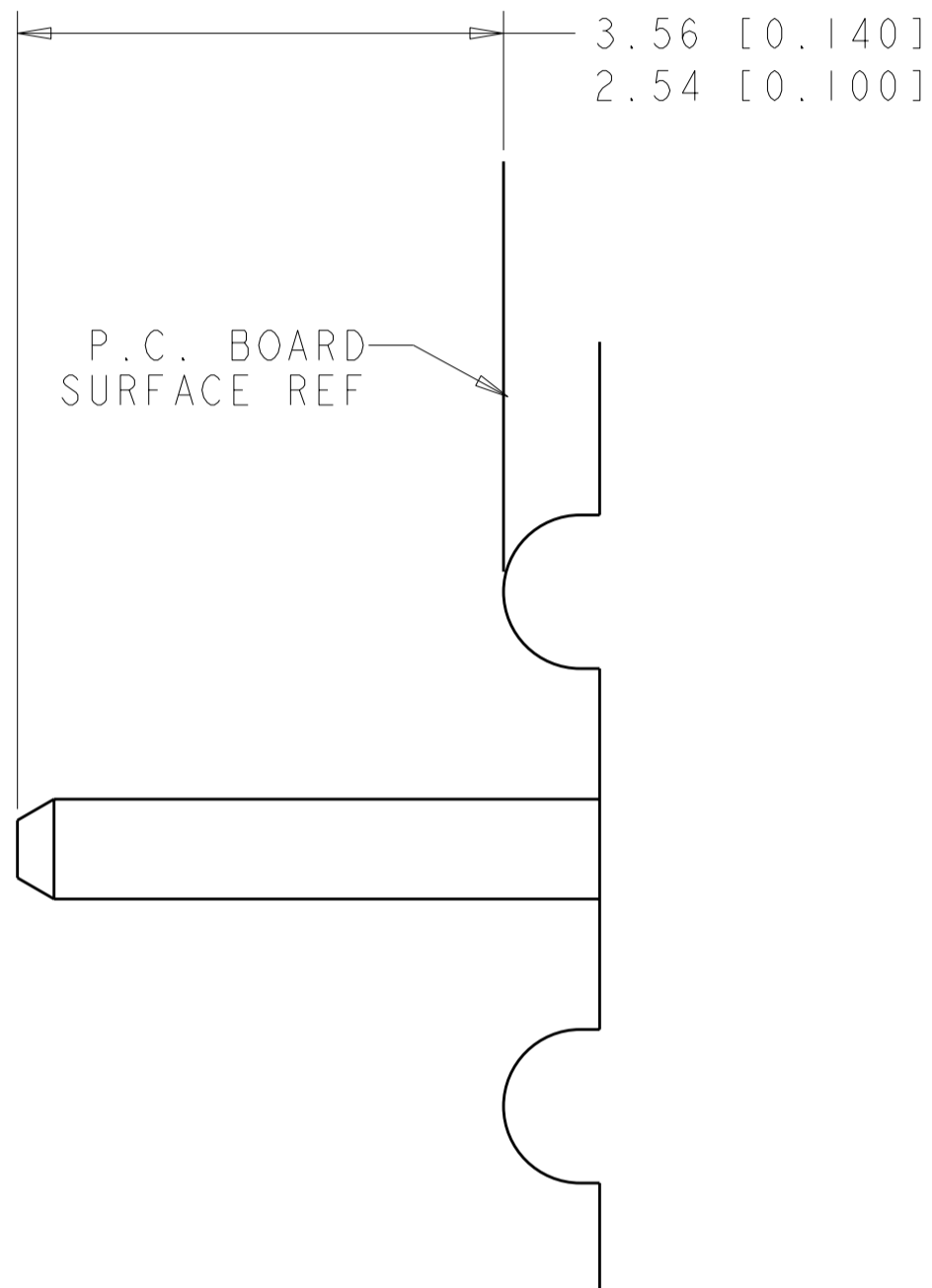
MATERIAL: - FINISH: - WEIGHT: -

CUSTOMER DRAWING SCALE: 3:1 SHEET 2 OF 3 REV B

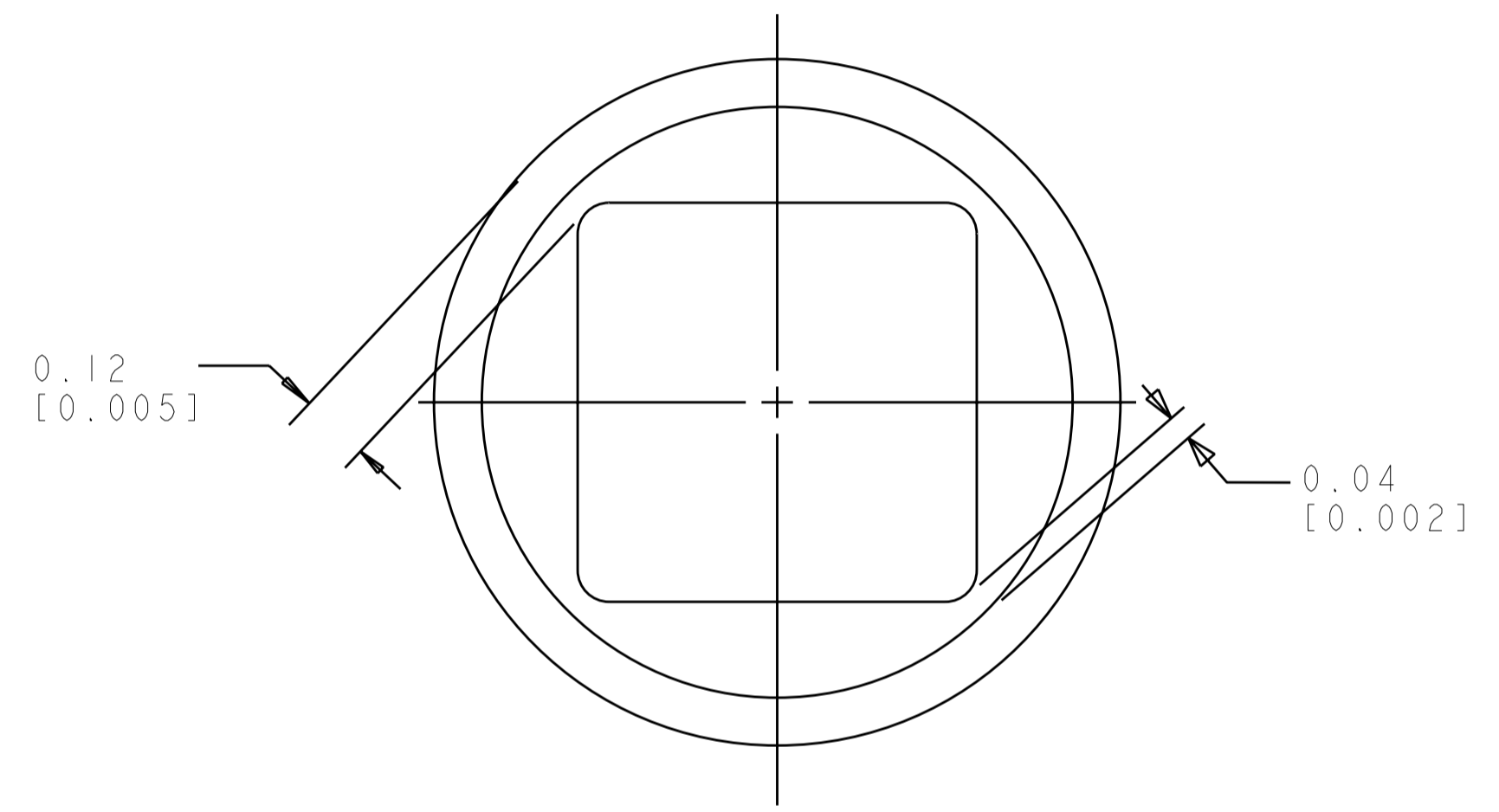
ELCON FLATPAQ

THIS DRAWING IS UNPUBLISHED. RELEASED FOR PUBLICATION 20
 © COPYRIGHT 20 BY TYCO ELECTRONICS CORPORATION. ALL RIGHTS RESERVED.

LOC	DIST	REVISIONS			
P	LTR	DESCRIPTION	DATE	DWN	APVD
GP	00	-	SEE SHEET 1	-	-



6. SOLDER TAIL DETAIL
SCALE 10 : 1



7 SOLDER TERMINATION AREA
SCALE 40:1
RECOMMENDED PRINTED SOLDER CIRCUIT HOLE
FINISHED HOLE: $\varnothing 1.02$ [0.040] ± 0.008 [0.0003]
DRILLED HOLE: $\varnothing 1.15$ [0.0453] ± 0.013 [0.0005]
COPPER PLATE: .025 [0.0010] MIN.
TIN PLATE: .008 [0.0003] MIN. (PER SURFACE)

ELCON FLATPAQ

THIS DRAWING IS A CONTROLLED DOCUMENT FOR TYCO ELECTRONICS CORPORATION. IT IS SUBJECT TO CHANGE AND THE CONTROLLING ENGINEERING ORGANIZATION SHOULD BE CONTACTED FOR THE LATEST REVISION.		DWN R. GRZYBOWSKI 20SEP2006	Tyco Electronics Harrisburg, PA 17105-3608	
DIMENSIONS: mm [INCHES]		CHK D. LORD 20SEP2006	NAME SOCKET CONNECTOR STRAIGHT, SOLDER TAIL, FLATPAQ	
TOLERANCES UNLESS OTHERWISE SPECIFIED: 0 PLC $\pm .5$ [0.020] 1 PLC $\pm .5$ [0.020] 2 PLC $\pm .25$ [0.010] 3 PLC $\pm .$ 4 PLC $\pm .$ ANGLES $\pm .5$ FINISH		APVD S. FLICKINGER 20SEP2006	RESTRICTED TO	
MATERIAL		PRODUCT SPEC	SIZE	CAGE CODE
		APPLICATION SPEC	A200779	C=6651647
		WEIGHT	DRAWING NO	
			CUSTOMER DRAWING	
			SCALE	SHEET
			3:1	3 OF 3
				REV B