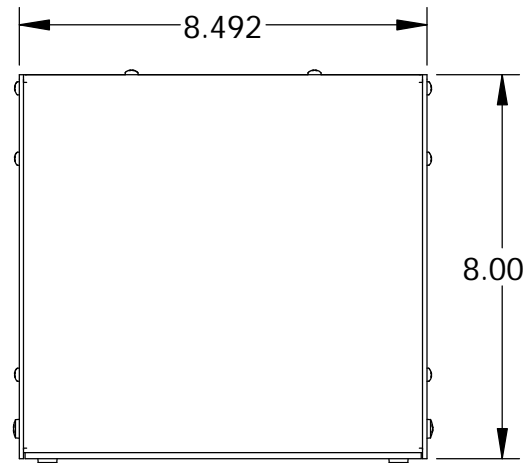
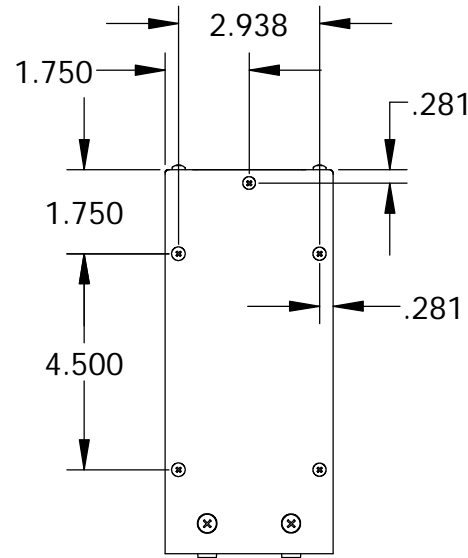


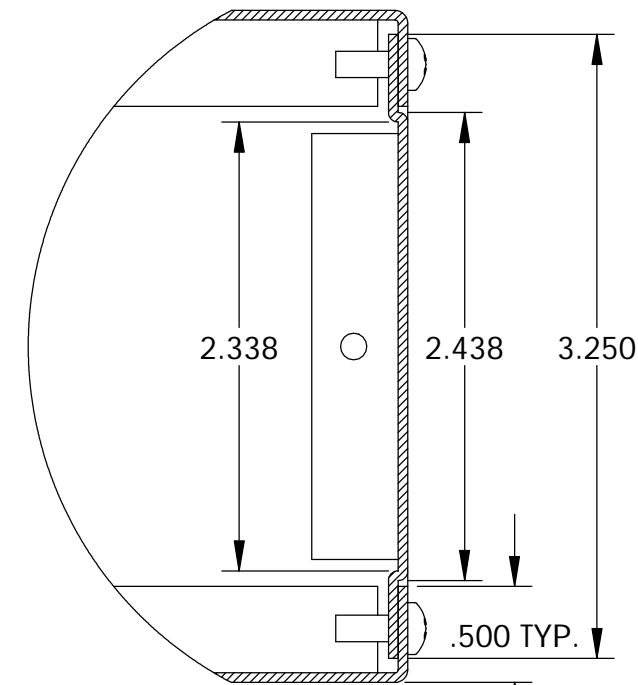
REAR VIEW



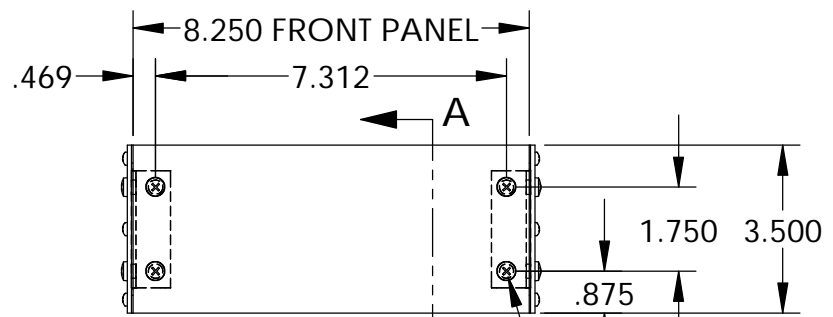
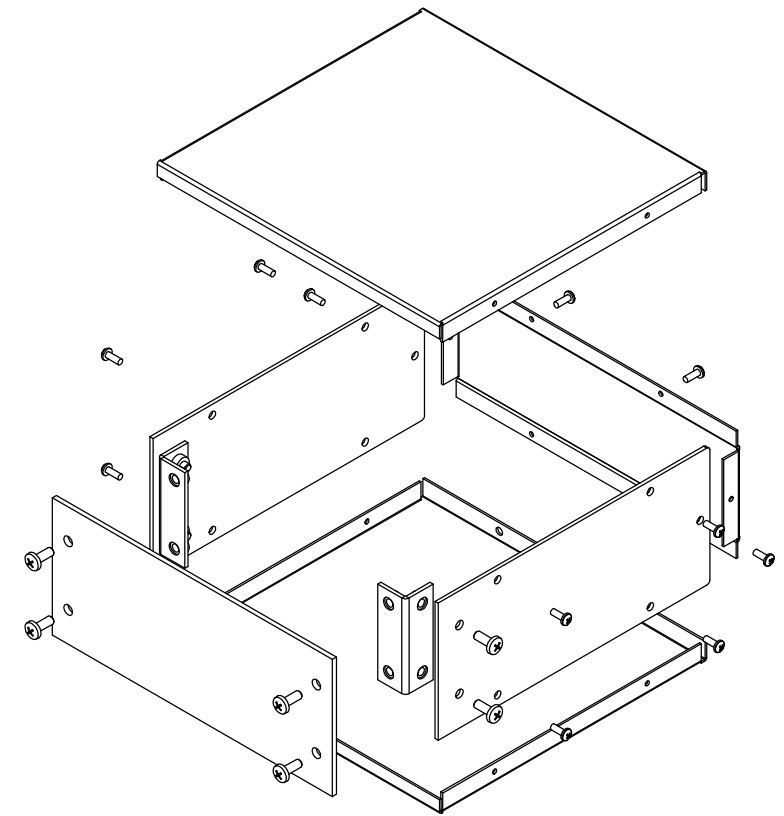
TOP VIEW



SIDE VIEW

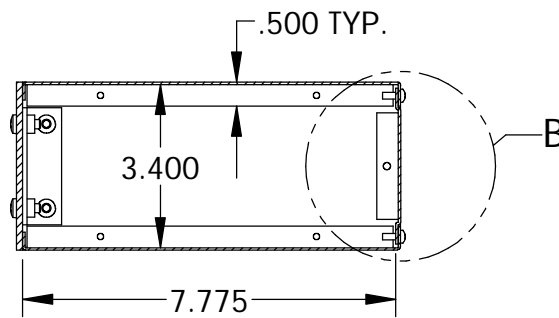


DETAIL B  
SCALE 4 : 1

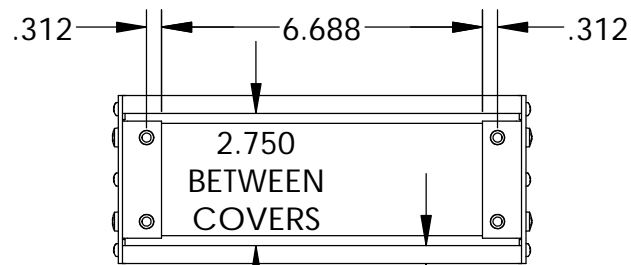


FRONT VIEW

Ø .250 HOLE  
IN FRONT PANEL  
(4) PLACES



SECTION A-A



FRONT VIEW  
(LESS FRONT PANEL)

UNIT SHIPPED UNASSEMBLED.  
OPTIONAL SELF-ADHESIVE RUBBER FEET (SUPPLIED)  
LOAD RATING: 25 LBS. MAX.

MATERIAL:  
BACK & COVERS \_\_\_\_\_ 0.050 THICK ALUMINUM  
SIDES & INNER BRACKETS \_\_\_\_ 0.090 THICK ALUMINUM  
FRONT PANEL \_\_\_\_\_ 0.125 THICK ALUMINUM

FINISH:  
BACK & COVERS \_\_\_\_\_ PREPAINTED SMOOTH WHITE  
SIDES \_\_\_\_\_ WHITE TEXTURED  
FRONT PANEL \_\_\_\_\_ NATURAL (OUTSIDE SURFACE TAPED WITH PVC)  
INNER BRACKETS \_\_\_\_\_ NATURAL  
FEET \_\_\_\_\_ BLACK