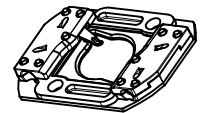
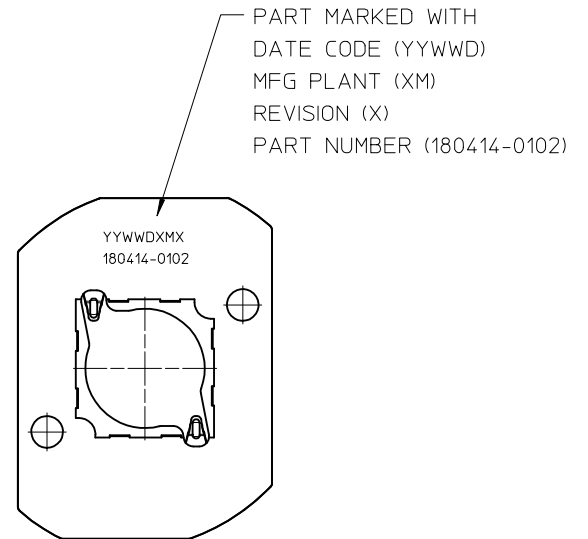
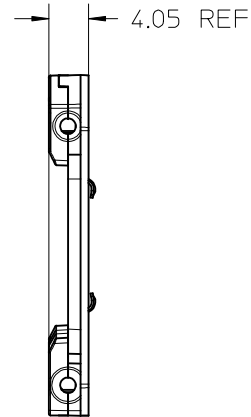
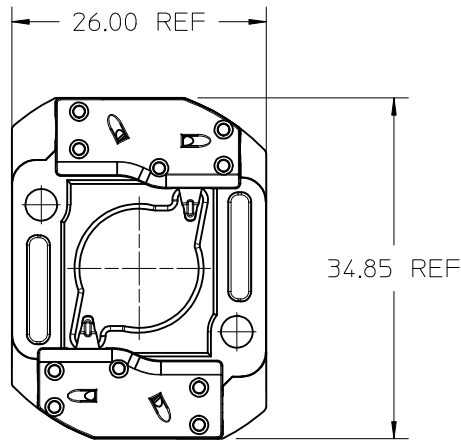


10 9 8 7 6 5 4 3 2 1



ISO VIEW  
SCALE 1:1

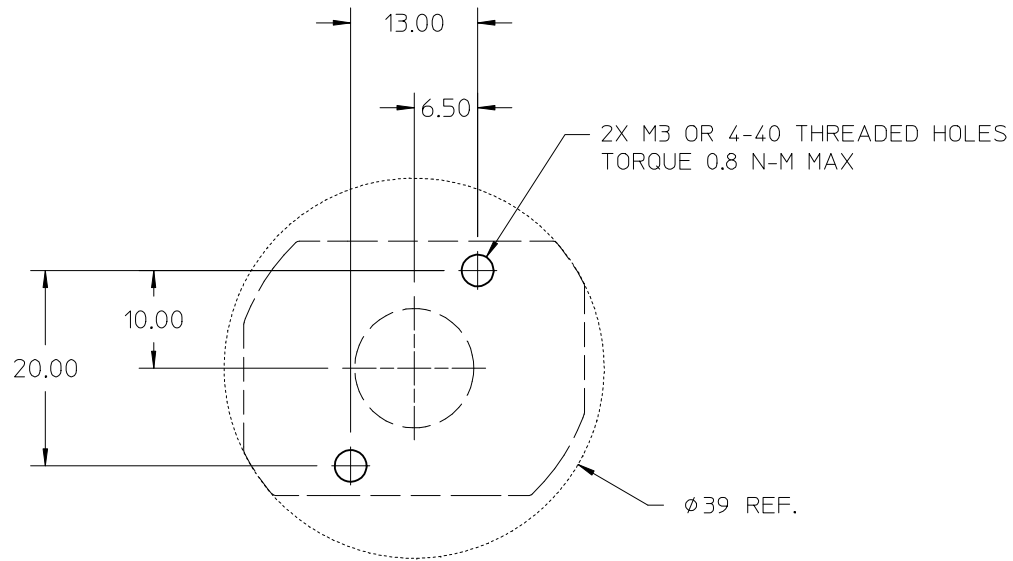
NOTES:

1. MATERIALS: HOUSING: POLYAMIDE (PA66), GLASS FILLED, UL94V-0, 5VA (89992-0289); TERMINAL: COPPER ALLOY
2. FINISHES: TERMINAL: NICKEL (Ni) UNDERPLATE 1.27  $\mu\text{m}$ , SELECT TIN (Sn) 2.54  $\mu\text{m}$ , SELECT GOLD (Au) 0.76  $\mu\text{m}$
3. PRODUCT SPECIFICATION: PS-180414-001
4. PACKAGING SPECIFICATION: PK-180414-002
5. APPLICATION SPECIFICATION: AS-180414-001
6. FOR USE WITH: CITIZEN COB SERIES CLL020 LED
7. WIRE GAUGE: 18 OR 20 AWG, SOLID OR STRANDED WITH TIN OVERCOAT. STRIP LENGTH 1CM.
8. UL:OLFB2 UL496 FILE: E345583 (PENDING)
9. REFERENCE PS-180414-001 FOR RoHAS REQUIREMENTS.

ENTER DESCRIPTION EC NO: SSL2013-0006 DRAWN BY: MCOLE 2012/05/24 CHKD BY: MCOLE 2012/08/06 APPR: DMCGOWAN 2012/08/06	DESCRIPTION REV	QUALITY SYMBOLS	GENERAL TOLERANCES (UNLESS SPECIFIED)		DIMENSION STYLE MM ONLY		SCALE 2:1	DESIGN UNITS METRIC	THIRD ANGLE PROJECTION		
		$\nabla Z=0$	mm	INCH	DRAWN BY	DATE	TITLE CITIZEN COB SERIES CLL020 HS HOLDER ASSEMBLY <b>molex</b>				
		$\nabla Y=0$	4 PLACES $\pm$ ---	$\pm$ ---	MDEVITO	2012/04/16					
		$\nabla X=0$	3 PLACES $\pm$ ---	$\pm$ ---	CHECKED BY	DATE	DOCUMENT NO. SD-180414-102 SHEET NO. 1 OF 2				
	2 PLACES $\pm 0.13$	$\pm$ ---	MCOLE	2012/08/06	MATERIAL NO. 1804140102 THIS DRAWING CONTAINS INFORMATION THAT IS PROPRIETARY TO MOLEX INCORPORATED AND SHOULD NOT BE USED WITHOUT WRITTEN PERMISSION						
	1 PLACE $\pm 0.25$	$\pm$ ---	APPROVED BY	DATE							
	0 PLACE $\pm$ ---	$\pm$ ---	DMCGOWAN	2012/08/06							
			ANGULAR $\pm 1/2^\circ$		SIZE B						
			DRAFT WHERE APPLICABLE MUST REMAIN WITHIN DIMENSIONS								

9 8 7 6 5 4 3 2 1

10 9 8 7 6 5 4 3 2 1



RECOMMENDED MOUNTING DIMENSIONS

<b>ENTER DESCRIPTION</b> EC NO: SSL2013-0006 DRAWN: MCOLE 2012/05/24 CHKD: MCOLE 2012/08/06 APPR: DMCGOWAN 2012/08/06	<b>QUALITY SYMBOLS</b> ∇=0 ∇=0 ∇=0	<b>GENERAL TOLERANCES (UNLESS SPECIFIED)</b>		<b>DIMENSION STYLE</b> MM ONLY		SCALE 2:1	DESIGN UNITS METRIC	THIRD ANGLE PROJECTION	
		4 PLACES ± --- ± ---	DRAWN BY MDEVITO	DATE 2012/04/16	TITLE CITIZEN COB SERIES CLL020 HS HOLDER ASSEMBLY				
		3 PLACES ± --- ± ---	CHECKED BY MCOLE	DATE 2012/08/06					
		2 PLACES ± 0.13 ± ---	APPROVED BY DMCGOWAN	DATE 2012/08/06	MATERIAL NO. 1804120102			DOCUMENT NO. SD-180414-102	
1 PLACE ± 0.25 ± ---	ANGULAR ± 1/2° DRAFT WHERE APPLICABLE MUST REMAIN WITHIN DIMENSIONS								
0 PLACE ± --- ± ---	SIZE B		THIS DRAWING CONTAINS INFORMATION THAT IS PROPRIETARY TO MOLEX INCORPORATED AND SHOULD NOT BE USED WITHOUT WRITTEN PERMISSION						

9 8 7 6 5 4 3 2 1